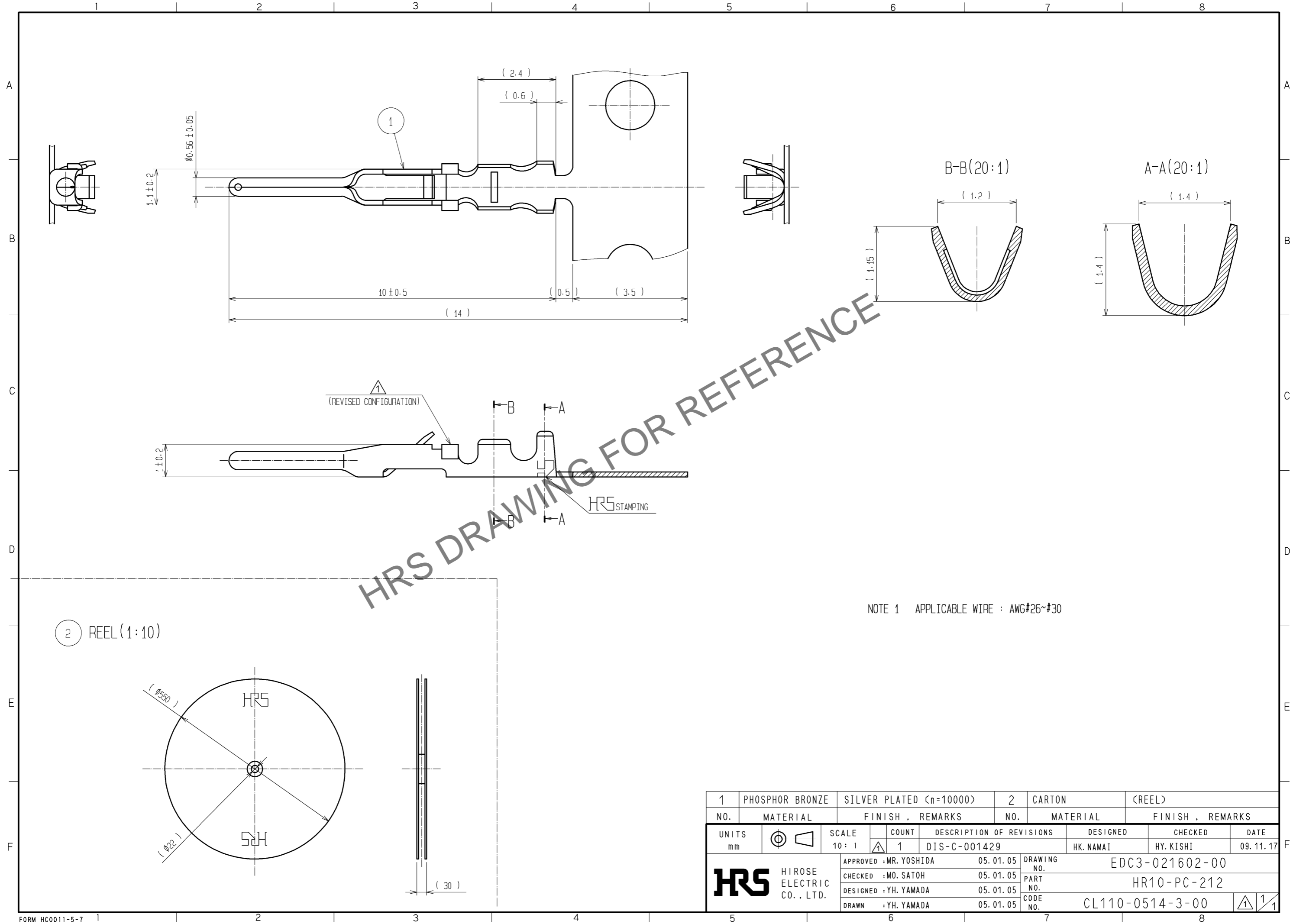


Sep.1.2024 Copyright 2024 HIROSE ELECTRIC CO., LTD. All Rights Reserved.
 In case of consideration for using Automotive equipment / device which demand high reliability, kindly contact our sales window correspondents.



2 REEL (1:10)

NOTE 1 APPLICABLE WIRE : AWG#26~#30

| | | | | | |
|-------------|---------------------------------|-------------------------|------------|--|-----------------------|
| 1 | PHOSPHOR BRONZE | SILVER PLATED (n=10000) | 2 | CARTON | (REEL) |
| NO. | MATERIAL | FINISH . REMARKS | NO. | MATERIAL | FINISH . REMARKS |
| UNITS mm | | SCALE 10:1 | COUNT 1 | DESCRIPTION OF REVISIONS DIS-C-001429 | DESIGNED HK. NAMAI |
| | HIROSE ELECTRIC CO., LTD. | APPROVED : MR. YOSHIDA | 05.01.05 | DESIGNED HY. KISHI | CHECKED HY. KISHI |
| | | CHECKED : MO. SATOH | 05.01.05 | DATE 09.11.17 | |
| | | DESIGNED : YH. YAMADA | 05.01.05 | DRAWING NO. EDC3-021602-00 | |
| | | DRAWN : YH. YAMADA | 05.01.05 | PART NO. HR10-PC-212 | |
| | | | | CODE NO. CL110-0514-3-00 | |