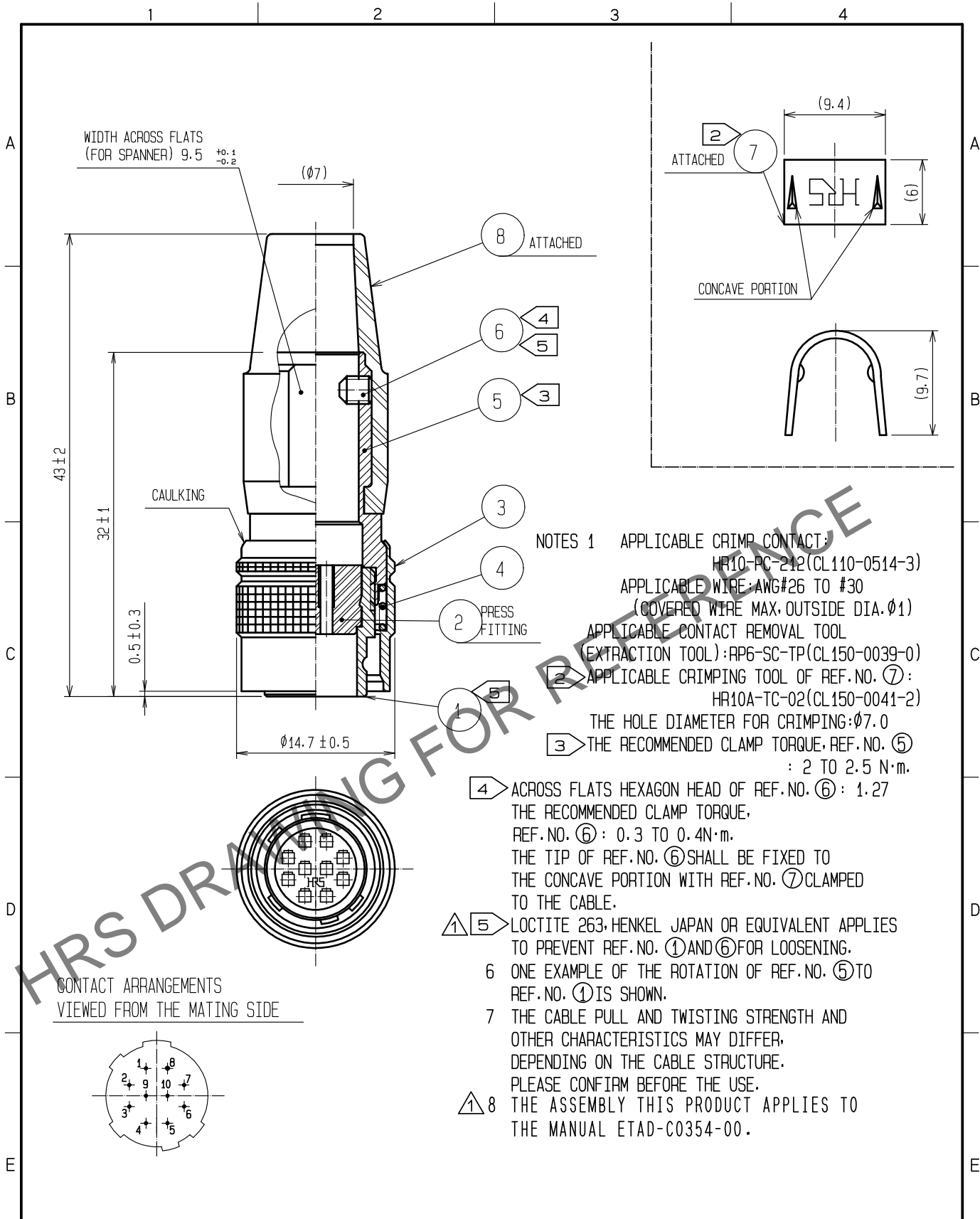
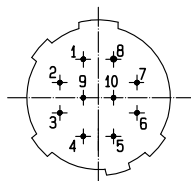


Sep. 1. 2024 Copyright 2024 HIROSE ELECTRIC CO., LTD. All Rights Reserved.
 In case of consideration for using Automotive equipment / device which demand high reliability, kindly contact our sales window correspondents.



- NOTES 1 APPLICABLE CRIMP CONTACT: HR10-PC-242(CL110-0514-3)
 APPLICABLE WIRE: AWG#26 TO #30 (COVERED WIRE MAX. OUTSIDE DIA. φ1)
 APPLICABLE CONTACT REMOVAL TOOL (EXTRACTION TOOL): RP6-SC-TP(CL150-0039-0)
 ② APPLICABLE CRIMPING TOOL OF REF. NO. ⑦: HR10A-TC-02(CL150-0041-2)
 THE HOLE DIAMETER FOR CRIMPING: φ7.0
 ③ THE RECOMMENDED CLAMP TORQUE, REF. NO. ⑤: 2 TO 2.5 N·m.
 ④ ACROSS FLATS HEXAGON HEAD OF REF. NO. ⑥: 1.27 THE RECOMMENDED CLAMP TORQUE, REF. NO. ⑥: 0.3 TO 0.4N·m.
 THE TIP OF REF. NO. ⑥ SHALL BE FIXED TO THE CONCAVE PORTION WITH REF. NO. ⑦ CLAMPED TO THE CABLE.
 ⑤ LOCTITE 263, HENKEL JAPAN OR EQUIVALENT APPLIES TO PREVENT REF. NO. ① AND ⑥ FOR LOOSENING.
 6 ONE EXAMPLE OF THE ROTATION OF REF. NO. ⑤ TO REF. NO. ① IS SHOWN.
 7 THE CABLE PULL AND TWISTING STRENGTH AND OTHER CHARACTERISTICS MAY DIFFER, DEPENDING ON THE CABLE STRUCTURE. PLEASE CONFIRM BEFORE THE USE.
 ⑧ THE ASSEMBLY THIS PRODUCT APPLIES TO THE MANUAL ETAD-C0354-00.

CONTACT ARRANGEMENTS VIEWED FROM THE MATING SIDE



4	STEEL	NICKEL PLATING	8	CHLOROPRENE RUBBER	(BLACK)
3	BRASS	MATTE FINISH NICKEL PLATED	7	BRASS	
2	POLYBUTYLENE TEREPHTHALATE	(BLACK) UL94V-0	6	STEEL	NICKEL PLATING M2.6X0.45X3
1	ZINC ALLOY	MATTE FINISH NICKEL PLATED	5	BRASS	NICKEL PLATING
NO.	MATERIAL	FINISH . REMARKS	NO.	MATERIAL	FINISH . REMARKS

UNITS mm		SCALE 2 : 1	COUNT 2	DESCRIPTION OF REVISIONS DIS-C-00017346	DESIGNED HT. ZENBA	CHECKED HY. KOBAYASHI	DATE 20240508
HIROSE ELECTRIC CO., LTD.		APPROVED : MO. SATOH 20070313	DRAWING NO. EDC4-022884-73				
		CHECKED : EJ. KUNII 20070312	PART NO. HR10A-10P-10PC(73)				
		DESIGNED : TO. HORII 20070309	CODE NO. CL0110-0601-6-73				
		DRAWN : MK. SATO 20070309			1/1		