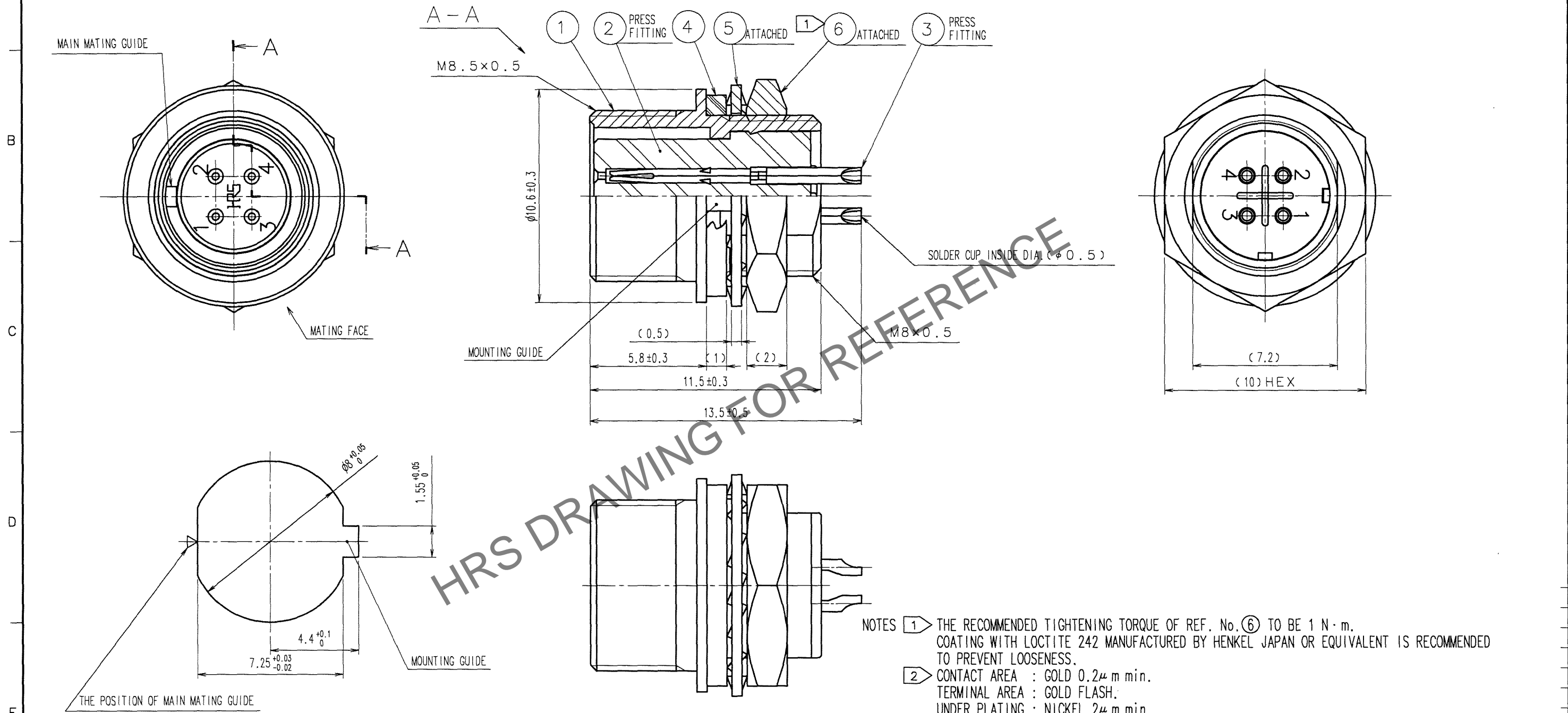


Jun.1.2024 Copyright 2024 HIROSE ELECTRIC CO., LTD. All Rights Reserved.
In case of consideration for using Automotive equipment / device which demand high reliability, kindly contact our sales window correspondents.

COUNT	DESCRIPTION OF REVISIONS	BY	CHKD	DATE	COUNT	DESCRIPTION OF REVISIONS	BY	CHKD	DATE
△				..	△				..
△				..	△				..
△				..	△				..



HRS DRAWING FOR REFERENCE

- NOTES
- ① THE RECOMMENDED TIGHTENING TORQUE OF REF. No. ⑥ TO BE 1 N·m. COATING WITH LOCTITE 242 MANUFACTURED BY HENKEL JAPAN OR EQUIVALENT IS RECOMMENDED TO PREVENT LOOSENESS.
 - ② CONTACT AREA : GOLD 0.2μ m min.
TERMINAL AREA : GOLD FLASH.
UNDER PLATING : NICKEL 2μ m min.

PANEL CUTOUT FROM MATING FACE
PANEL THICKNESS= 0.7 TO 2

3	PHOSPHOR BRONZE	②	6	BRASS	NICKEL PLATING
2	POLYPHENYLENE SULFIDE (BLACK)	UL94V-0	5	PHOSPHOR BRONZE	NICKEL PLATING
1	ZINC ALLOY	MATTE FINISH NICKEL PLATING	4	ETHYLENE PROPYLENE RUBBER (BLACK)	
NO.	MATERIAL	FINISH, REMARKS	NO.	MATERIAL	FINISH, REMARKS

CODE NO. (OLD)	CL	DRAWN	DESIGNED	CHECKED	APPROVED	RELEASED
		H. Kawashima	H. Kawashima	E. Kurui	M. Sato	
		'06.10.14	'06.10.14	'06.10.14	'06.10.14	

 SCALE 5 : 1 UNITS mm	DRAWING NO. EDC3-048671-73 HRS HIROSE ELECTRIC CO., LTD	PART NO. HR25-7TR-4S(73) CODE NO. CL125-0007-4-73	1/1
-----------------------------------	--	--	-----

TO
R