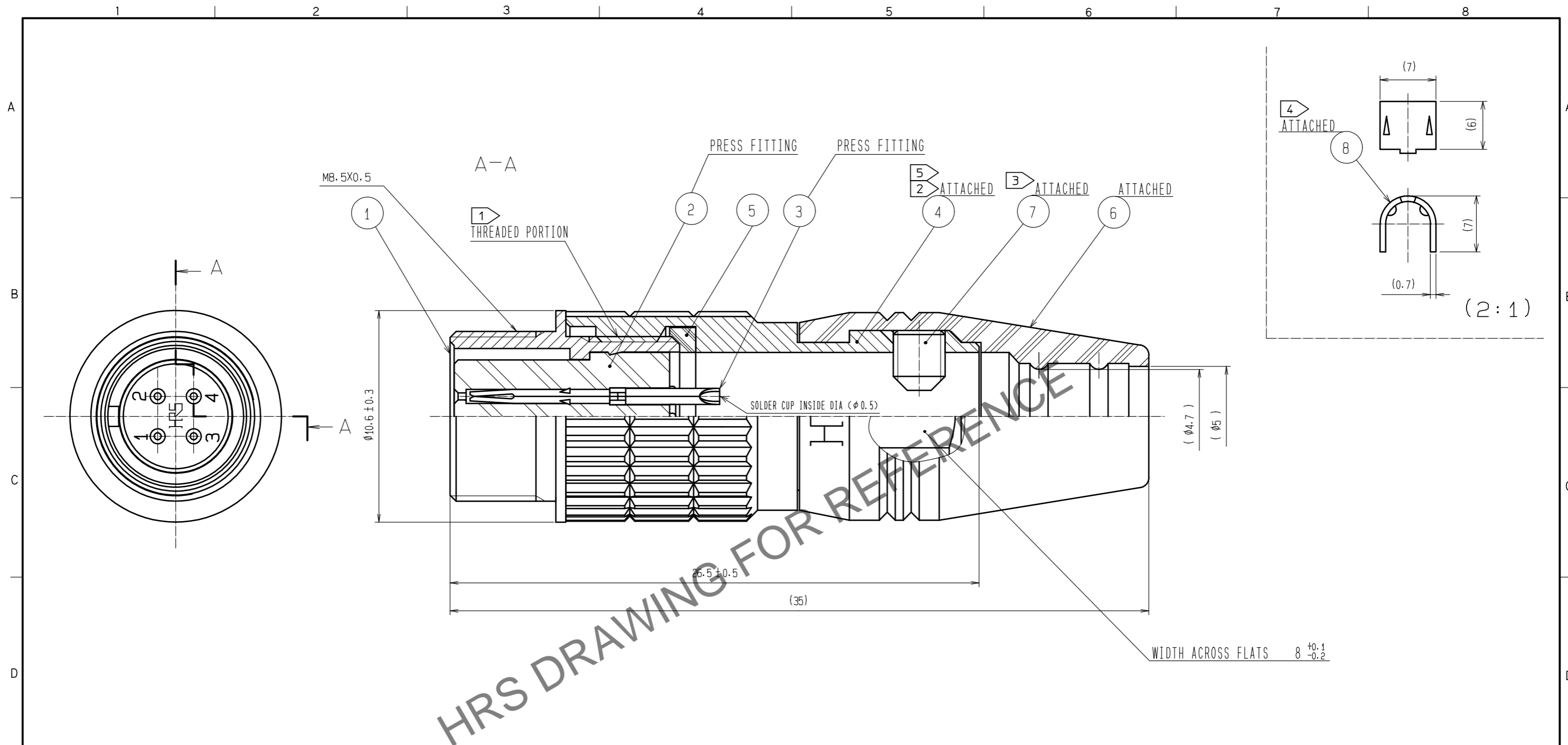


Jun.1.2024 Copyright 2024 HIROSE ELECTRIC CO., LTD. All Rights Reserved.
In case of consideration for using Automotive equipment / device which demand high reliability, kindly contact our sales window correspondents.



HRS DRAWING FOR REFERENCE

- NOTES
- ① THREAD PORTION OF REF.No. ① AND ④ IS APPLIED WITH PRECOATING TO PREVENT LOOSENESS. HOWEVER, THE ADHESIVE EFFECTIVENESS IS DECREASED WHEN REUSED. THEREFORE, THREAD PORTION IS RECOMMENDED TO COAT WITH LOCTITE 263 MANUFACTURED BY HENKEL JAPAN OR EQUIVALENT.
 - ② THE RECOMMENDED TIGHTENING TORQUE OF REF.No. ④ TO BE 1N·m.
 - ③ THE TIP OF REF.No. ⑦ SHALL BE FIXED TO THE CONCAVE PORTION WITH REF.No. ③ CLAMPED TO THE CABLE. OPPOSITE SIDE DIMENSION OF A HEXAGON SOCKET OF REF.No. ⑦ IS 1.27mm. AND THE RECOMMENDED TIGHTENING TORQUE OF REF.No. ⑦ TO BE 0.3 TO 0.4 N·m.
 - ④ MANUAL CRIMPING TOOL OF REF.No. ⑧ : HR10A-TC-02<CL150-0041-2>(THE HOLE DIAMETER FOR CRIMPING: φ5.3)
 - ⑤ REF.No. ⑤ IS INCLUDED IN REF.No. ④.
 - ⑥ ONE EXAMPLE OF THE ROTATION OF REF.No. ④ TO REF.No. ① IS SHOWN.
 - ⑦ OVER PLATING : GOLD 0.2 μm min.
TERMINAL AREA : GOLD FLASH
UNDER PLATING : NICKEL 2 μm min.
 - ⑧ THE CABLE PULL AND TWISTING STRENGTH AND OTHER CHARACTERISTICS MAY DIFFER, DEPENDING ON THE CABLE STRUCTURE. PLEASE CONFIRM BEFORE THE USE.

NO.	MATERIAL	FINISH . REMARKS	NO.	MATERIAL	FINISH . REMARKS
4	BRASS	NICKEL PLATING	8	BRASS	
3	PHOSPHOR BRONZE	⑦	7	STEEL	NICKEL PLATING JIS B 1177 HEXAGON SOCKET SCREW M2.6X0.45X3
2	POLYPHENYLENE SULFIDE	(BLACK) UL94V-0	6	ETHYLENE PROPYLENE RUBBER	(BLACK)
1	ZINC ALLOY	MATTE FINISH NICKEL PLATED	5	ETHYLENE PROPYLENE RUBBER	(BLACK)

UNITS	SCALE	COUNT	DESCRIPTION OF REVISIONS	DESIGNED	CHECKED	DATE
mm	5 : 1	△				
HIROSE ELECTRIC CO., LTD.			APPROVED : E.J. KUNII	15.10.14	DRAWING NO. EDC-110373-72-00	
			CHECKED : E.J. KUNII	15.10.14		
			DESIGNED : MM. ISHII	15.10.14	CODE NO. CL125-0013-7-72	
			DRAWN : MM. ISHII	15.10.14		