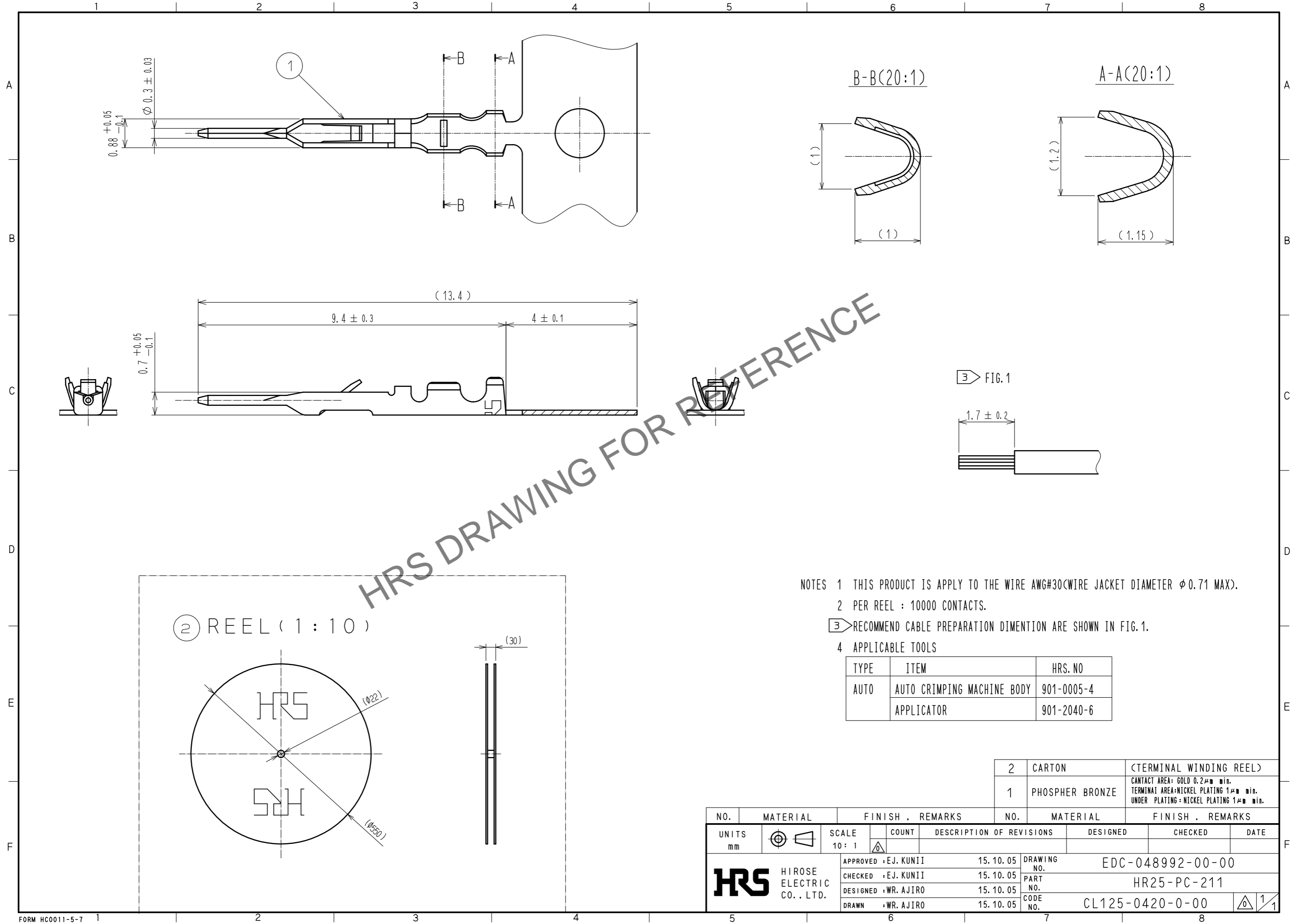


Jun.1.2024 Copyright 2024 HIROSE ELECTRIC CO., LTD. All Rights Reserved.
 In case of consideration for using Automotive equipment / device which demand high reliability, kindly contact our sales window correspondents.



- NOTES 1 THIS PRODUCT IS APPLY TO THE WIRE AWG#30(WIRE JACKET DIAMETER φ 0.71 MAX).
 2 PER REEL : 10000 CONTACTS.
 3 RECOMMEND CABLE PREPARATION DIMENTION ARE SHOWN IN FIG.1.
 4 APPLICABLE TOOLS

TYPE	ITEM	HRS. NO
AUTO	AUTO CRIMPING MACHINE BODY	901-0005-4
	APPLICATOR	901-2040-6

2	CARTON	(TERMINAL WINDING REEL)
1	PHOSPER BRONZE	CONTACT AREA: GOLD 0.2μm min. TERMINAL AREA: NICKEL PLATING 1μm min. UNDER PLATING: NICKEL PLATING 1μm min.

NO.	MATERIAL	FINISH . REMARKS	NO.	MATERIAL	FINISH . REMARKS
UNITS mm		SCALE 10 : 1	COUNT	DESCRIPTION OF REVISIONS	
HRS HIROSE ELECTRIC CO., LTD.		APPROVED : EJ. KUNII	15.10.05	DESIGNED	EDC-048992-00-00
		CHECKED : EJ. KUNII	15.10.05	CHECKED	HR25-PC-211
		DESIGNED : WR. AJIRO	15.10.05	DATE	CL125-0420-0-00
		DRAWN : WR. AJIRO	15.10.05		1/1