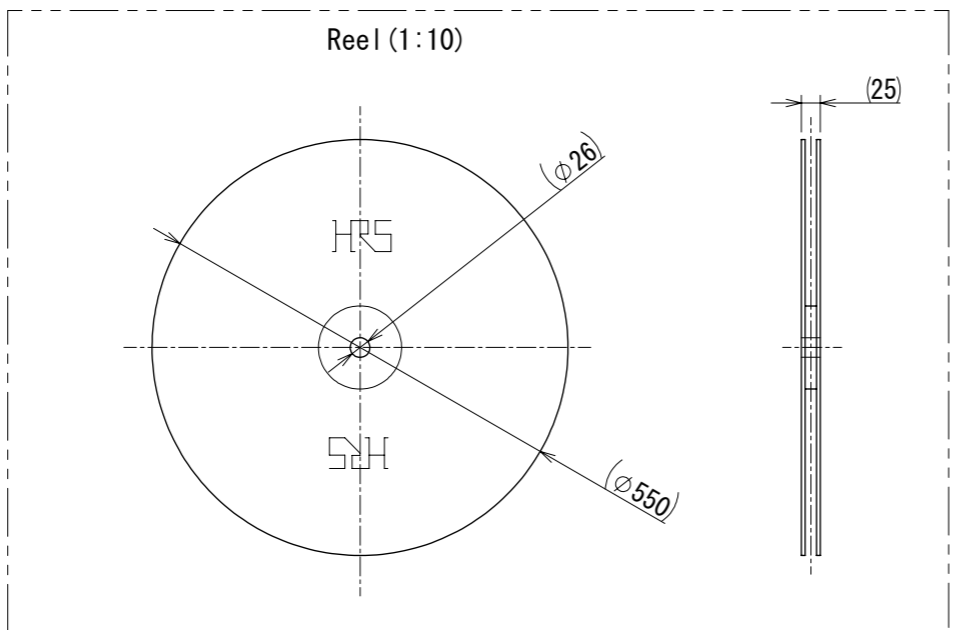
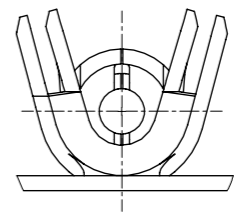
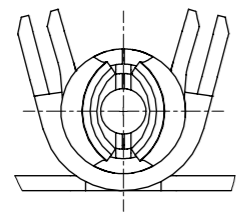
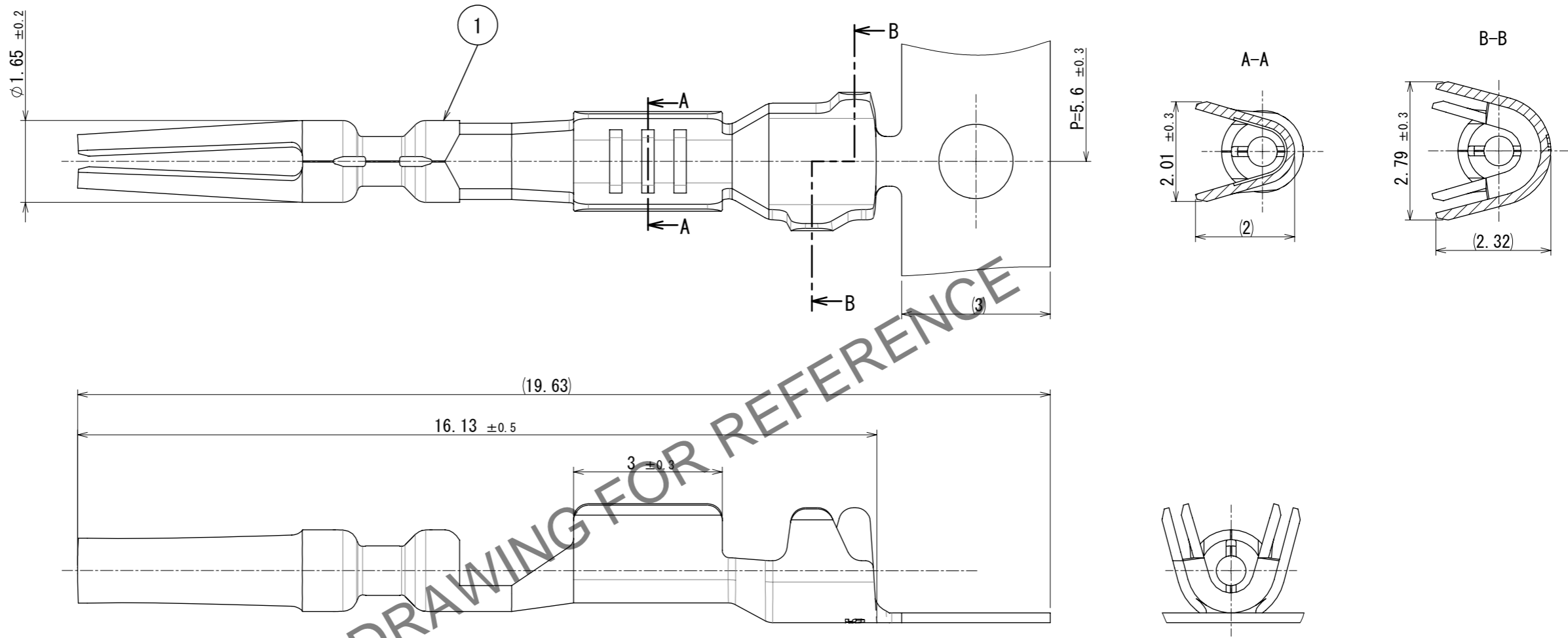


Jan.1.2025 Copyright 2025 HIROSE ELECTRIC CO., LTD. All Rights Reserved.
 In case of consideration for using Automotive equipment / device which demand high reliability, kindly contact our sales window correspondents.

1 2 3 4 5 6 7 8

A
B
C
D
E
F



- Notes
- 1 The product is apply to the wire AWG#22 to 24 (Wire jacket diameter: $\phi 1.4$ to 1.6)
 - 2 Per reel : 10,000 contacts.
 - 3 Surface plating : Tin plating $0.5 \mu\text{m}$ min.
Under plating : Nickel plating $1 \mu\text{m}$ min.
 - 4 This product is coated with lubricant on the surface.
Oil residues may be confirmed, but there is no problem with performance.
In addition, if dust etc. adhere, remove it with an air blow or the like before using.

△ CAD change

| 1 | Copper alloy | 3 | | | | | | |
|--------------------------------------|--------------|-----------------------|--------------|--------------------------|----------|------------------|--------------|--------------|
| NO. | MATERIAL | FINISH | REMARKS | NO. | MATERIAL | FINISH | REMARKS | |
| UNITS | | SCALE | COUNT | DESCRIPTION OF REVISIONS | | DESIGNED | CHECKED | DATE |
| mm | | 10:1 | 1 | DIS-C-00018846 | | SY. KONDO | KI. NAGANUMA | 2024. 11. 29 |
| HRS HIROSE ELECTRIC CO., LTD. | | APPROVED : YH. YAMADA | 2020. 01. 28 | DRAWING NO. | | EDC-390465-00-00 | | |
| | | CHECKED : HN. TANAKA | 2020. 01. 28 | PART NO. | | BH12-SC1-213 | | |
| | | DESIGNED : SH. KOYAMA | 2020. 01. 28 | CODE NO. | | CL0140-0015-0-00 | | |
| | | DRAWN : SH. KOYAMA | 2020. 01. 28 | | | | | |