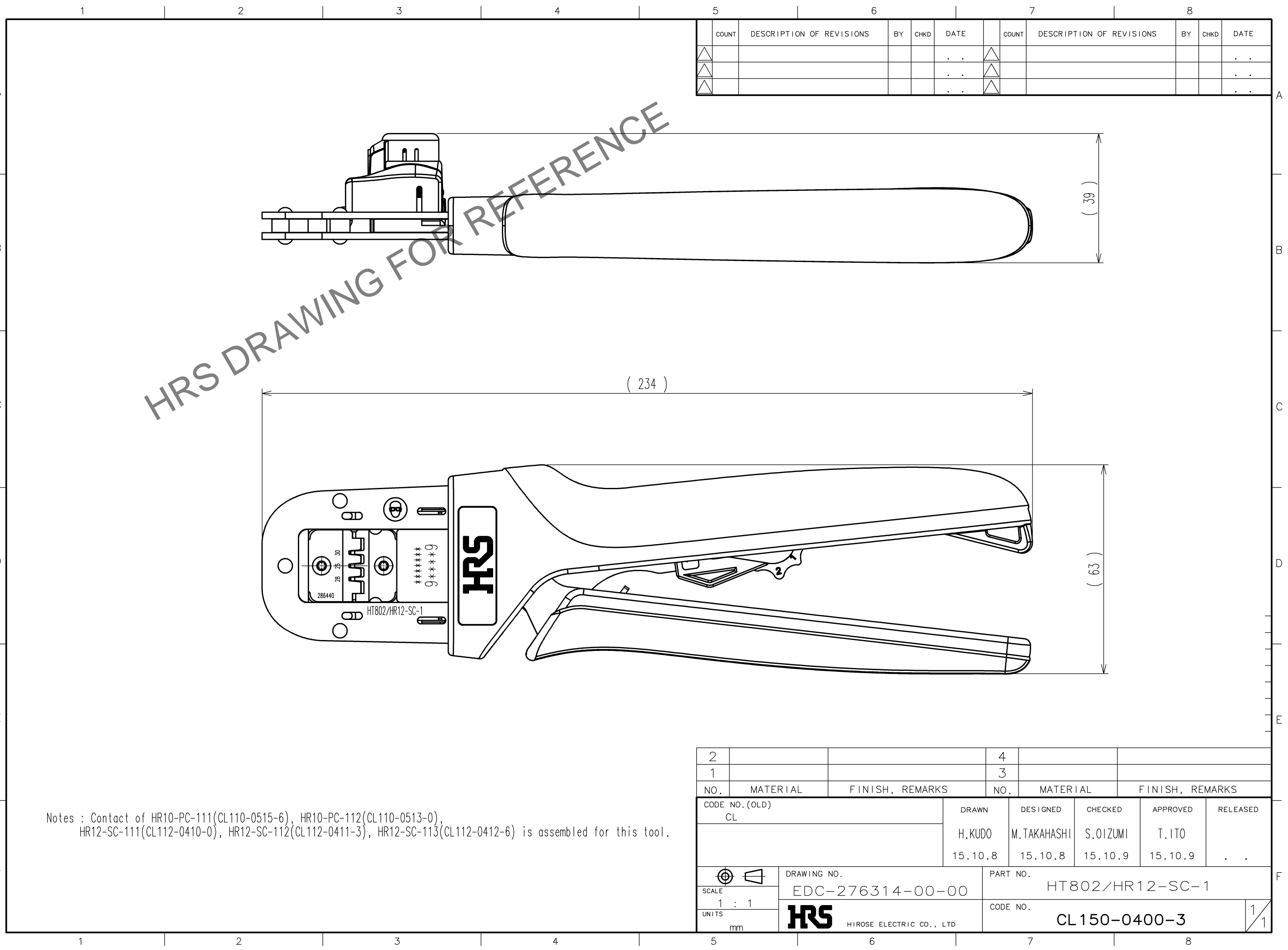
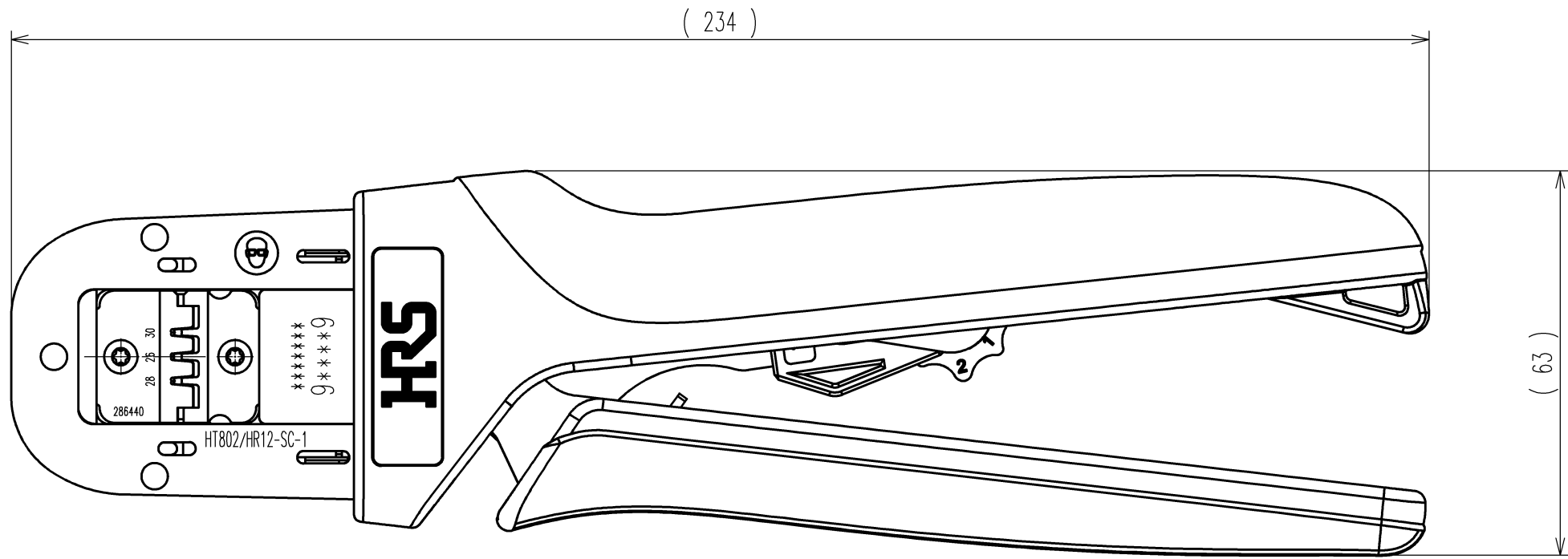
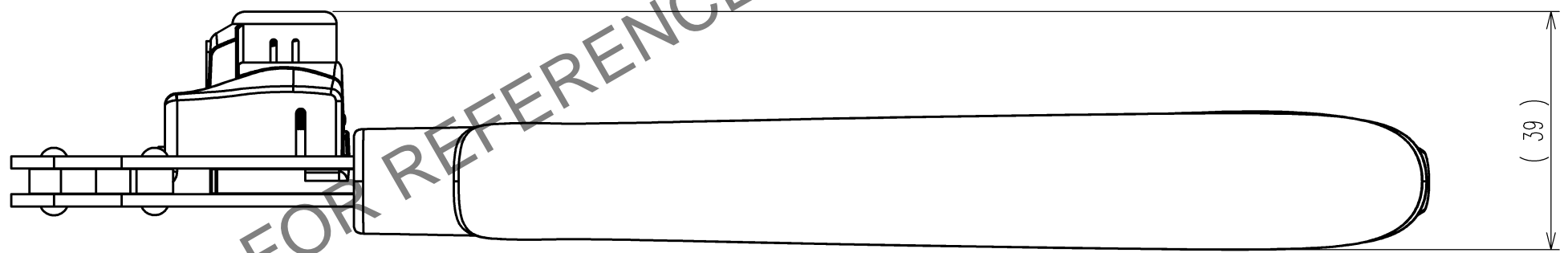


Mar.1.2026 Copyright 2026 HIROSE ELECTRIC CO., LTD. All Rights Reserved.
In case of consideration for using Automotive equipment / device which demand high reliability, kindly contact our sales window



COUNT	DESCRIPTION OF REVISIONS	BY	CHKD	DATE	COUNT	DESCRIPTION OF REVISIONS	BY	CHKD	DATE
△				..	△				..
△				..	△				..
△				..	△				..



Notes : Contact of HR10-PC-111(CL110-0515-6), HR10-PC-112(CL110-0513-0),
HR12-SC-111(CL112-0410-0), HR12-SC-112(CL112-0411-3), HR12-SC-113(CL112-0412-6) is assembled for this tool.

TO
PE

2		4	
1		3	
NO.	MATERIAL	FINISH, REMARKS	NO. MATERIAL FINISH, REMARKS
CODE NO.(OLD) CL		DRAWN H.KUDO 15.10.8	DESIGNED M.TAKAHASHI 15.10.8
		CHECKED S.OIZUMI 15.10.9	APPROVED T.ITO 15.10.9
		RELEASED ..	
DRAWING NO. EDC-276314-00-00		PART NO. HT802/HR12-SC-1	
SCALE 1 : 1		CODE NO. CL150-0400-3	
UNITS mm		HRS HIROSE ELECTRIC CO., LTD	
			1/1