

Mar.1.2026 Copyright 2026 HIROSE ELECTRIC CO., LTD. All Rights Reserved.  
In case of consideration for using Automotive equipment / device which demand high reliability, kindly contact our sales window correspondents.

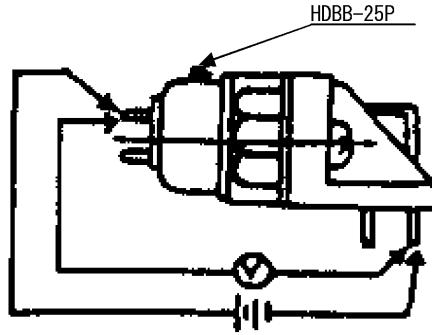
| APPLICABLE STANDARD   |  |                          |  |                    |            |
|---|--|--------------------------|--|--------------------|------------|
| RATING  | OPERATING TEMPERATURE RANGE  | ① -55 °C TO 85 °C        | STORAGE TEMPERATURE RANGE  | ② -55 °C TO 85 °C  |            |
|   | VOLTAGE  | 350 V AC , 490 V DC      | OPERATING HUMIDITY RANGE   | 95 % MAX           |            |
|   | CURRENT  | 3 A                      | APPLICABLE CABLE   | —                  |            |
| SPECIFICATIONS  |  |                          |  |                    |            |
| ITEM  | TEST METHOD  |                          | REQUIREMENTS   | QT                 | AT         |
| CONSTRUCTION  |  |                          |  |                    |            |
| GENERAL EXAMINATION   | VISUALLY AND BY MEASURING INSTRUMENT.  |                          | ACCORDING TO DRAWING.  | X                  | X          |
| MARKING   | CONFIRMED VISUALLY.  |                          |  | X                  | X          |
| ELECTRIC CHARACTERISTICS  |  |                          |  |                    |            |
| CONTACT RESISTANCE  | 100 mA (DC OR 1000 Hz). ③  |                          | 25 mΩ MAX.   | X                  | X          |
| CONTACT RESISTANCE MILLIVOLT LEVEL METHOD   | 20 mV MAX 1 mA (DC OR 1000Hz). ③   |                          |  | X                  | —          |
| INSULATION RESISTANCE   | 500 V DC.  |                          | 5000 MΩ MIN.   | X                  | X          |
| VOLTAGE PROOF   | 1250 V AC FOR 1 min.   |                          | NO FLASHOVER OR BREAKDOWN.   | X                  | X          |
| MECHANICAL CHARACTERISTICS  |  |                          |  |                    |            |
| CONTACT INSERTION AND EXTRACTION FORCES   | MAX φ1.041 BY STEEL GAUGE.<br>MIN φ0.991   |                          | INSERTION FORCE 3.3 N MAX.<br>EXTRACTION FORCE 0.28 N MIN.   | X                  | —          |
| INSERTION AND WITHDRAWAL FORCES   | MEASURED BY APPLICABLE CONNECTOR.  |                          | INSERTION FORCE 83.3 N MAX.<br>EXTRACTION FORCE 55.8 N MAX.  |                    | —          |
| MECHANICAL OPERATION  | 500 TIMES INSERTIONS AND EXTRACTIONS.<br>③   |                          | 1) CONTACT RESISTANCE: 25 mΩ MAX.<br>2) NO DAMAGE, CRACK AND LOOSENESS OF PARTS.   | X                  | —          |
| VIBRATION   | FREQUENCY 10 TO 55 Hz<br>SINGLE AMPLITUDE 0.75 mm,<br>AT 2h, FOR 3 AXIAL DIRECTIONS.       |                          | NO DAMAGE, CRACK AND LOOSENESS OF PARTS.   | X                  | —          |
| SHOCK   | 490 m/s <sup>2</sup> DURATION OF PULSE 11 ms<br>AT 3 TIMES FOR 3 BOTH AXIAL DIRECTIONS.    |                          |  | X                  | —          |
| ENVIRONMENTAL CHARACTERISTICS   |  |                          |  |                    |            |
| RAPID CHANGE OF TEMPERATURE   | TEMPERATURE -55→5 TO 35→85→5 TO 35 °C.<br>TIME 30→2 TO 3→30→2 TO 3 min.<br>UNDER 5 CYCLES. |                          | NO DAMAGE, CRACK AND LOOSENESS OF PARTS.   | X                  | —          |
| DAMP HEAT (STEADY STATE)  | EXPOSED AT 40°C , 90 TO 95 % , 96 h.   |                          | 1) INSULATION RESISTANCE:<br>10 MΩ MIN (AT HIGH HUMIDITY),<br>1000 MΩ MIN (AT DRY).<br>2) NO DAMAGE, CRACK AND LOOSENESS OF PARTS. | X                  | —          |
| CORROSION SALT MIST   | EXPOSED IN 5 % SALT WATER SPRAY FOR 48 h.  |                          | NO HEAVY CORROSION.  | X                  | —          |
|   | COUNT  | DESCRIPTION OF REVISIONS | DESIGNED   | CHECKED            | DATE       |
| ④   |  |                          |  |                    |            |
| REMARK  |  |                          | APPROVED   | NM. NISHIMATSU     | 14. 06. 24 |
| ① THE OPERATION TEMPERATURE INCLUDES THE TEMPERATURE RISE BY CURRENT CARRYING.  |  |                          | CHECKED  | NM. NISHIMATSU     | 14. 06. 24 |
| ② STORAGE TEMPERATURE RANGE SHOWS STORAGE CONDITION FOR UNUSED PRODUCTS INCLUDING PACKING MATERIALS. FOLLOW THE OPERATING TEMPERATURE RANGE FOR STORAGE CONDITION AFTER MOUNTING. |  |                          | DESIGNED   | WR. YAMADA         | 14. 06. 24 |
|   |  |                          | DRAWN  | WR. YAMADA         | 14. 06. 24 |
| Unless otherwise specified, refer to JIS C 5402.  |  |                          |  |                    |            |
| Note QT:Qualification Test AT:Assurance Test X:Applicable Test  |  |                          | DRAWING NO.  | ELC4-020746-01     |            |
| <b>HRS</b>  | SPECIFICATION SHEET  |                          | PART NO.   | RDBD-25SE-LNA (55) |            |
|   | HIROSE ELECTRIC CO., LTD.  |                          | CODE NO.   | CL211-0333-3-55    | △ 1/2      |

Mar. 1. 2026 Copyright 2026 HIROSE ELECTRIC CO., LTD. All Rights Reserved.  
 In case of consideration for using Automotive equipment / device which demand high reliability, kindly contact our sales window correspondents.

## SPECIFICATIONS

| ITEM                         | TEST METHOD   | REQUIREMENTS   | QT | AT |
|------------------------------|---|--|----|----|
| RESISTANCE TO SOLDERINT HEAT | SOLDER TEMPERATURE $260 \pm 5$ °C FOR IMMERSION, DURING $10 \pm 1$ S.               | NO DEFORMATION OF CASE AND EXCESSIVE LOOSENESS OF THE TERMINALS.     | X  | —  |
| SOLDERABILITY                | SOLDERED AT SOLDER TEMPERATURE, $245 \pm 2$ °C FOR IMMERSION, DURATION $3 \pm 1$ S. | MIN 95 % OF SOLDER IMMERSED AREA SHALL BE COVERD NEW SOLDER COATING. | X  | —  |

3 MEASURMENT POINT OF CONTACT RESISTANCE



|  |                           |             |          |                    |  |     |
|--|---------------------------|-------------|----------|--------------------|--|-----|
| Note QT:Qualification Test AT:Assurance Test X:Applicable Test |                           | DRAWING NO. |          | ELC4-020746-01     |  |     |
| <b>HRS</b>   | SPECIFICATION SHEET       |             | PART NO. | RDBD-25SE-LNA (55) |  |     |
|  | HIROSE ELECTRIC CO., LTD. |             | CODE NO  | CL211-0333-3-55    |  | 2/2 |