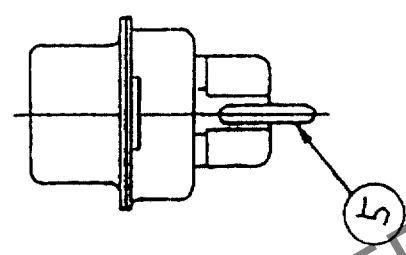
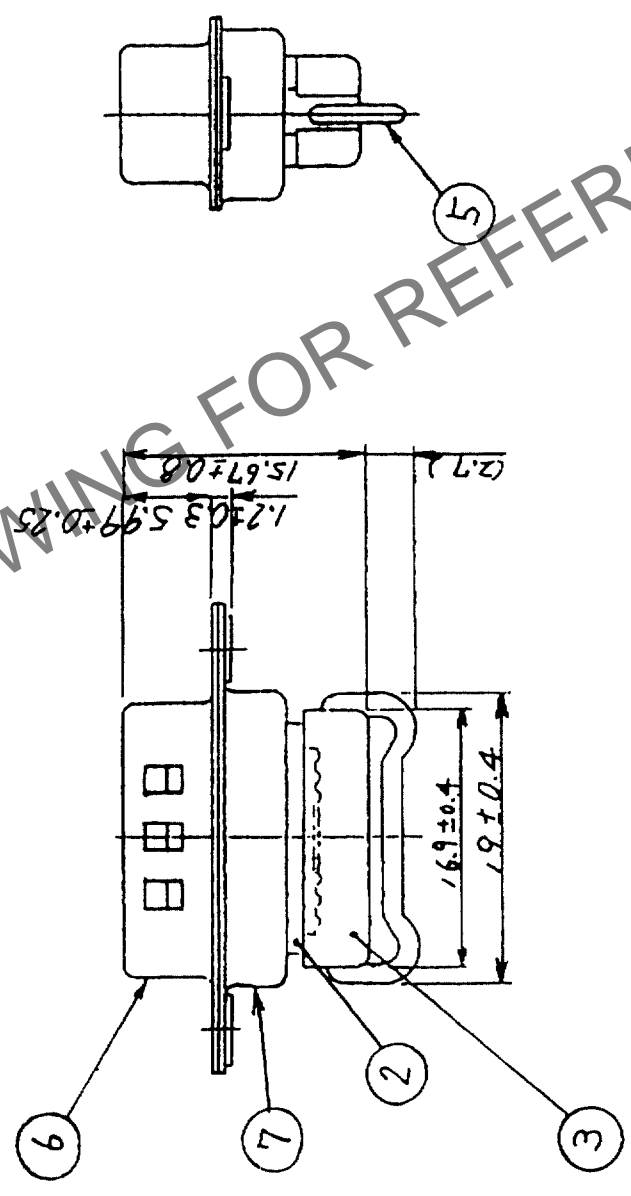
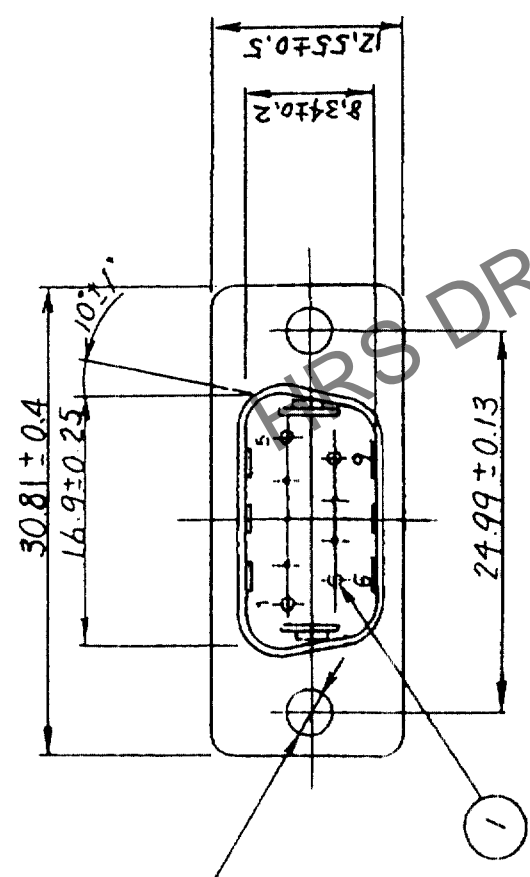


2 In case of consideration for using Automotive equipment / device which demand high reliability, kindly contact our sales window correspondents.

COUNT	DESCRIPTION OF REVISIONS	BY	CHKD	DATE	COUNT	DESCRIPTION OF REVISIONS	BY	CHKD	DATE
1					1				
2					2				
3					3				
4					4				
5					5				



NOTE. REF. NO. (3), (4) AND (5) ARE APPENDED PRODUCTS.

NO.	MATERIAL	FINISH, REMARKS	NO.	MATERIAL	FINISH, REMARKS
4	STAINLESS STEEL		7	STEEL	NICKEL PLATING
3	PBT	UL94V-0(BLACK)	6	STEEL	NICKEL PLATING
2	PBT	UL94V-0(BLACK)	5	STEEL	NICKEL PLATING
1	BERYLLIUM COPPER	SELECTIVE GOLD PLATING 0.24 μm			

CODE NO. (OLD)	CL	DRAWN	DESIGNED	CHECKED	APPROVED	RELEASED
		<i>Y. Enami</i>	<i>Y. Enami</i>	<i>Y. Enami</i>	<i>H. Muro</i>	
		03.09.01	03.09.01	03.09.01	03.09.03	

DRAWING NO.	EDC3-022474-01	PART NO.	FDED-9PF(55)
SCALE	2 : 1	CODE NO.	CL211-0604-9-55
UNITS	mm		

TO	Q
----	---