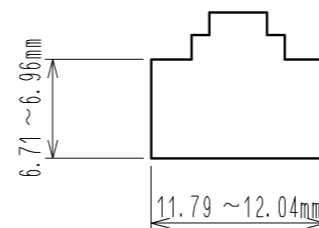


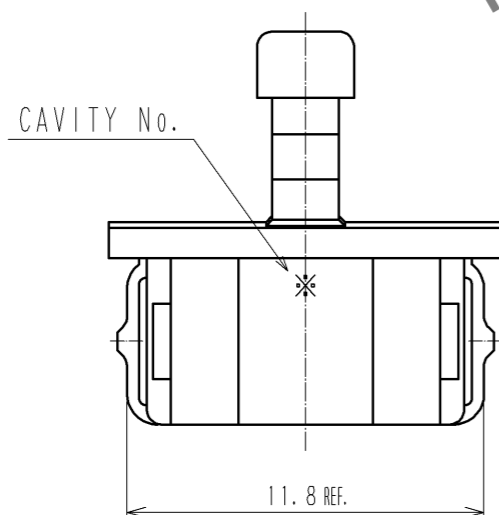
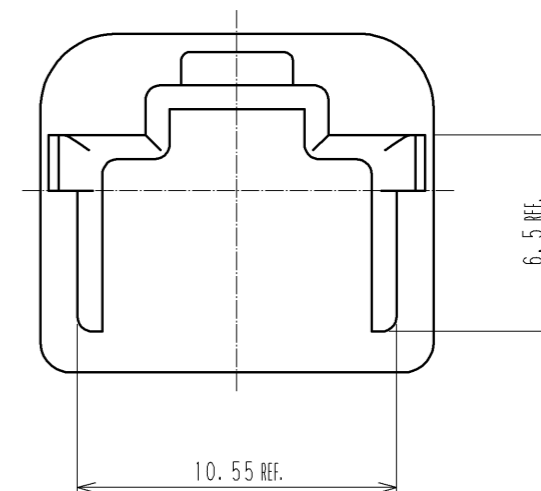
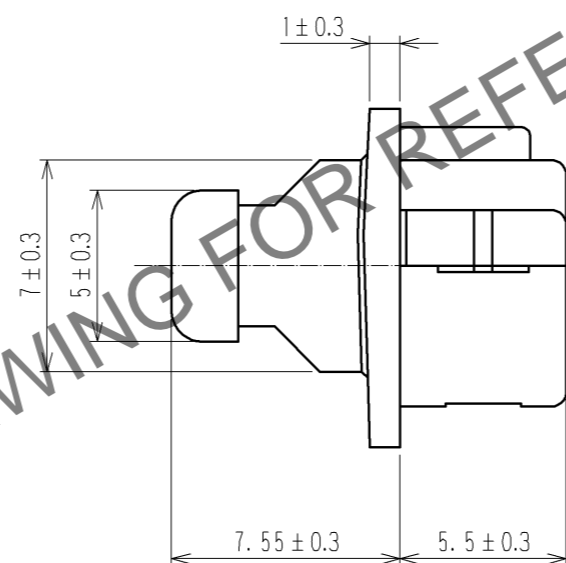
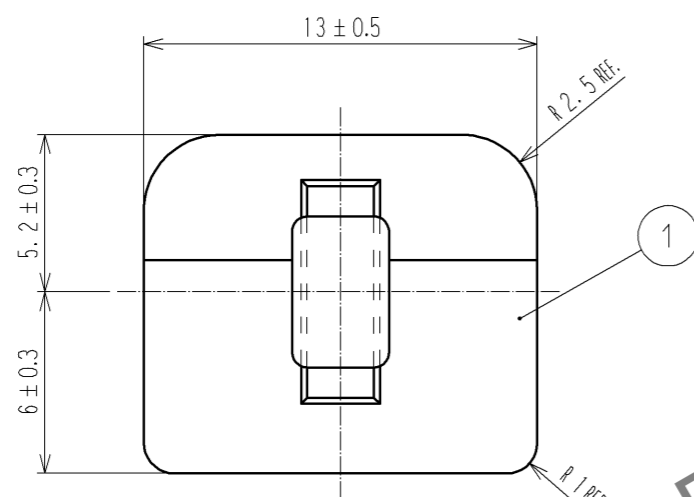
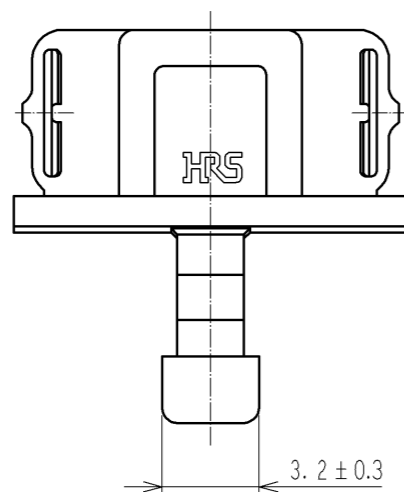
May.1.2024 Copyright 2024 HIROSE ELECTRIC CO., LTD. All Rights Reserved.
 In case of consideration for using Automotive equipment / device which demand high reliability, kindly contact our sales window correspondents.

NOTES 1. THIS PRODUCT IS FOR 8 POSITION-MODULAR JACK CONNECTOR WHICH MEETS TO FCC OR ISO STANDARD'S DIMENSIONS. EXCEPT FOR SPECIAL CONNECTORS WHICH HAS KEY, HOLLOW AND SO ON.

• STANDARD OPENING DIMENSIONS OF MODULAR JACK



2. PER PACK : 100 PIECES.



HRS DRAWING FOR REFERENCE

1	POLYAMIDE	BLACK. UL94V-0					
NO.	MATERIAL	FINISH . REMARKS	NO.	MATERIAL	FINISH . REMARKS		
UNITS mm		SCALE 4 : 1		COUNT △	DESCRIPTION OF REVISIONS	DESIGNED	CHECKED
HRS HIROSE ELECTRIC CO., LTD.		APPROVED : RI. TAKAYASU	12.06.21	DRAWING NO. EDC3-126314-01			
		CHECKED : EJ. WAKATSUKI	12.06.21	PART NO. TM-8-DC2			
		DESIGNED : TS. ITO	12.06.20	CODE NO. CL222-0805-4-00			
		DRAWN : TS. ITO	12.06.20			△ 1/1	