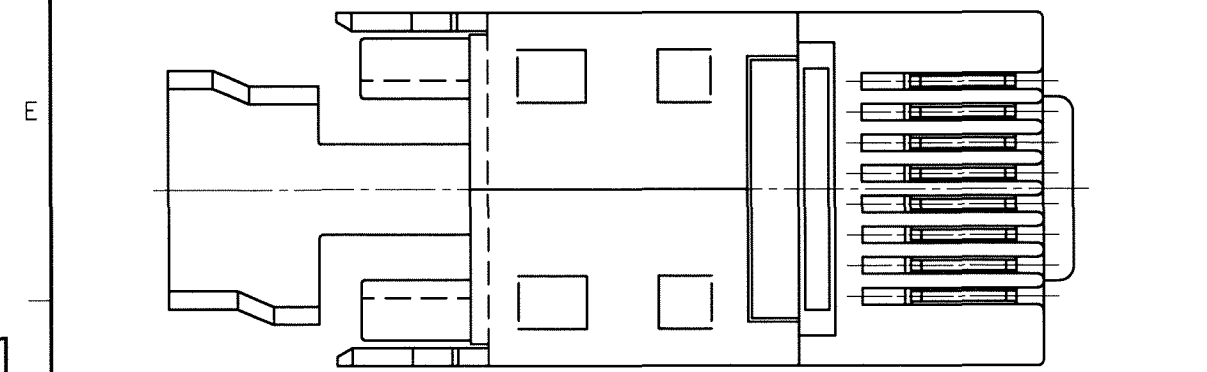
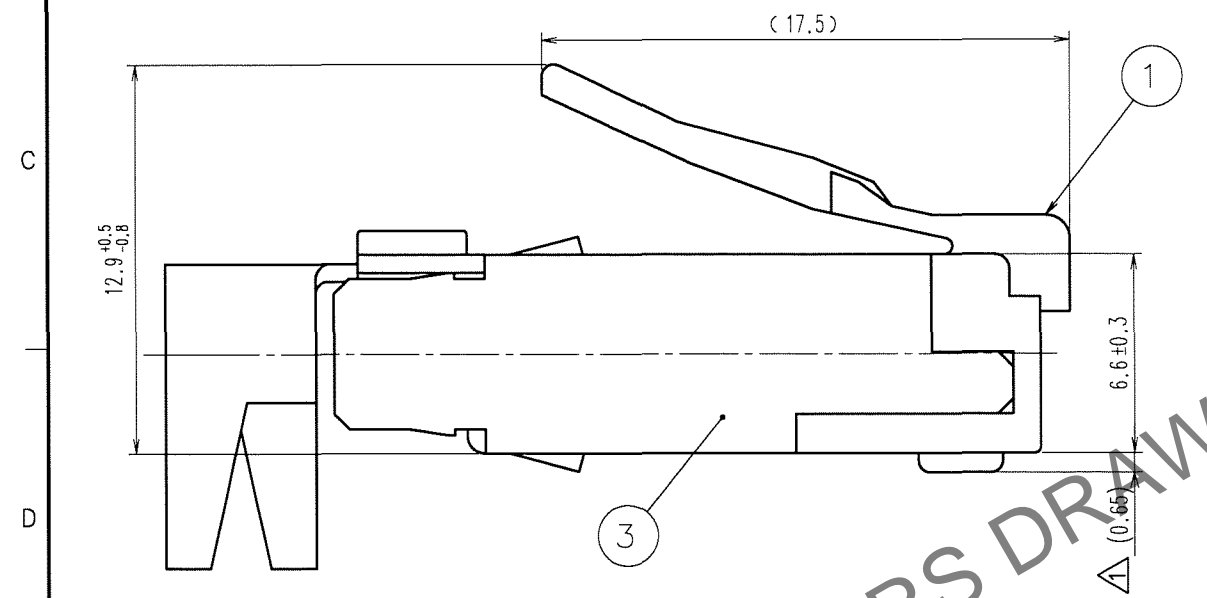
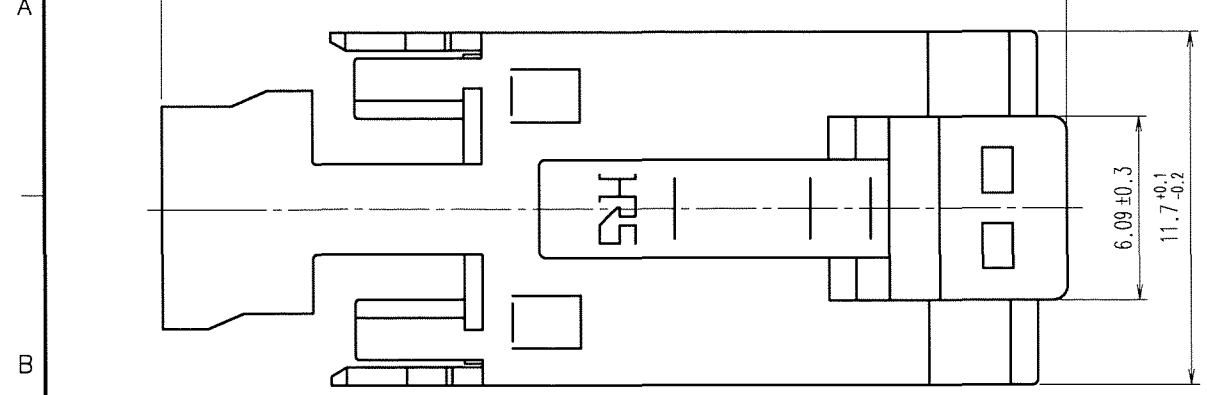


May.1.2024 Copyright 2024 HIROSE ELECTRIC CO., LTD. All Rights Reserved.
In case of consideration for using Automotive equipment / device which demand high reliability, kindly contact our sales window correspondents.

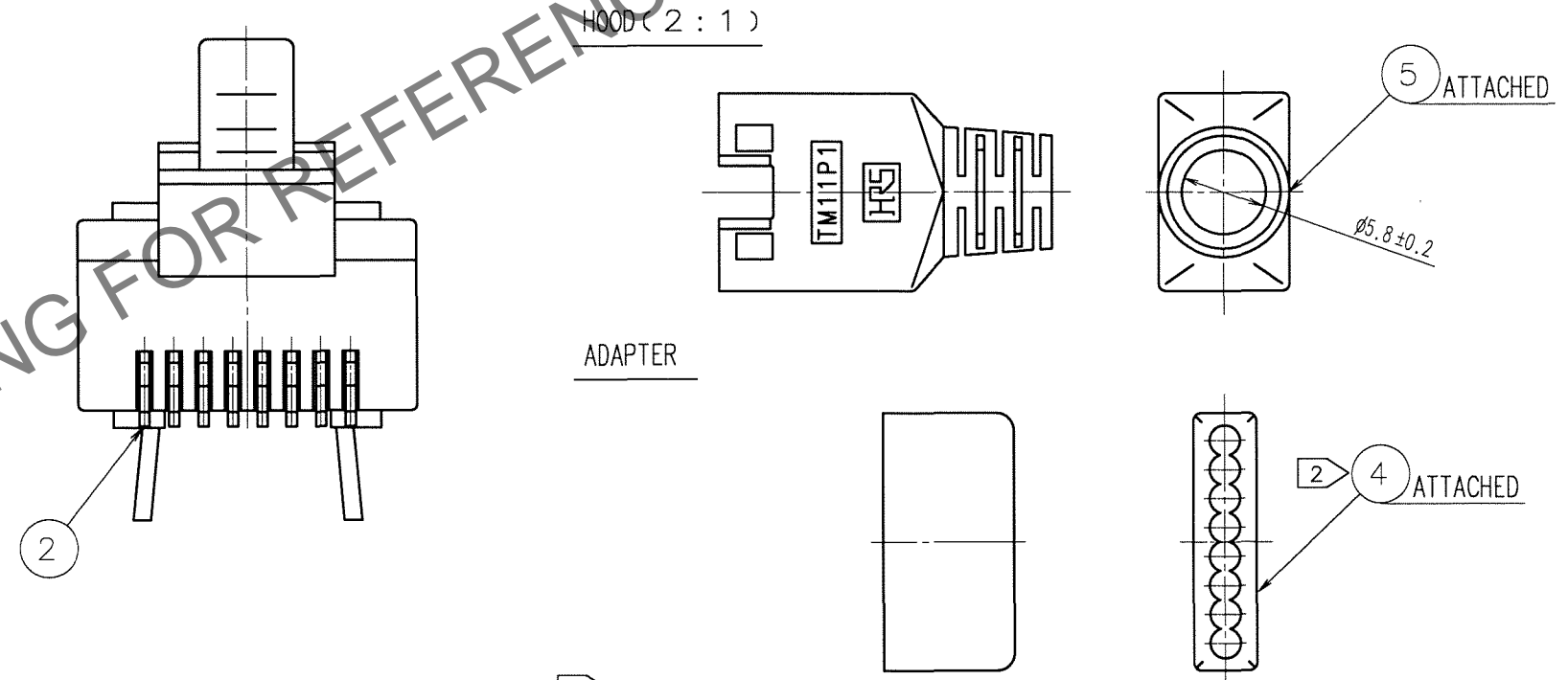
COUNT	DESCRIPTION OF REVISIONS	BY	CHKD	DATE	COUNT	DESCRIPTION OF REVISIONS	BY	CHKD	DATE
△	REWRITTEN BY CAD	Y.S	Y.E	07.03.16	△				
△	3 DIS-E-001346	Y.S	Y.E	07.03.16	△				



NOTES. 1. APPLICABLE CABLE.

VINYL SEATH	($\phi 5$)	DRAIN WIRE	WIRE	INSULATOR	SHIELD	WIRE	INSULATOR OUTER DIAMETER 0.90 TO 1.00 DIA. CONDUCTOR SIZE (STRANDED) AWG 26-27 OR EQUIVALENT.
FILLER		CONDUCTOR				VINYL SEATH OUTER DIAMETER	$\phi 5.0$ *(1)
						DRAIN WIRE	AWG 25 OR EQUIVALENT 7/0.18 DIA. *(2)

*(1) CABLE ENTRY IS 5.6 MIN.
*(2) CONSTRUCTION IS FOR REFERENCE.



2 ADAPTER SHALL BE USED TO ALIGN INDIVIDUAL WIRE.
3. THE DIMENSION IN PARENTHESIS IS FOR REFERENCE.

TO
Q2

2	PHOSPHOR BRONZE	CONTACT: GOLD PLATING 1.27 μ m min TERMINAL: GOLD PLATING 0.03 μ m min UNDER: NICKEL PLATING 2 μ m min	5	POLYCARBONATE	LIGHT BEIGE
1	POLYCARBONATE	TRANSPARENCY	4	POLYCARBONATE	TRANSPARENCY
			3	BRASS	OVER: TIN REFLOW PLATING 1 μ m min UNDER: COPPER PLATING 0.5 μ m min
NO.	MATERIAL	FINISH, REMARKS	NO.	MATERIAL	FINISH, REMARKS

CODE NO. (OLD)	DRAWN	DESIGNED	CHECKED	APPROVED	RELEASED
	T.WATANABE	T.WATANABE	H.MIWA	A.NAKAZAWA	
	96.09.25	96.09.25	96.09.25	96.09.25	

SCALE	DRAWING NO.	PART NO.
4 : 1	EDC3-120681	TM11AP1-88P
UNITS	HIROSE ELECTRIC CO., LTD	CODE NO.
mm		CL222-2782-1

1/1