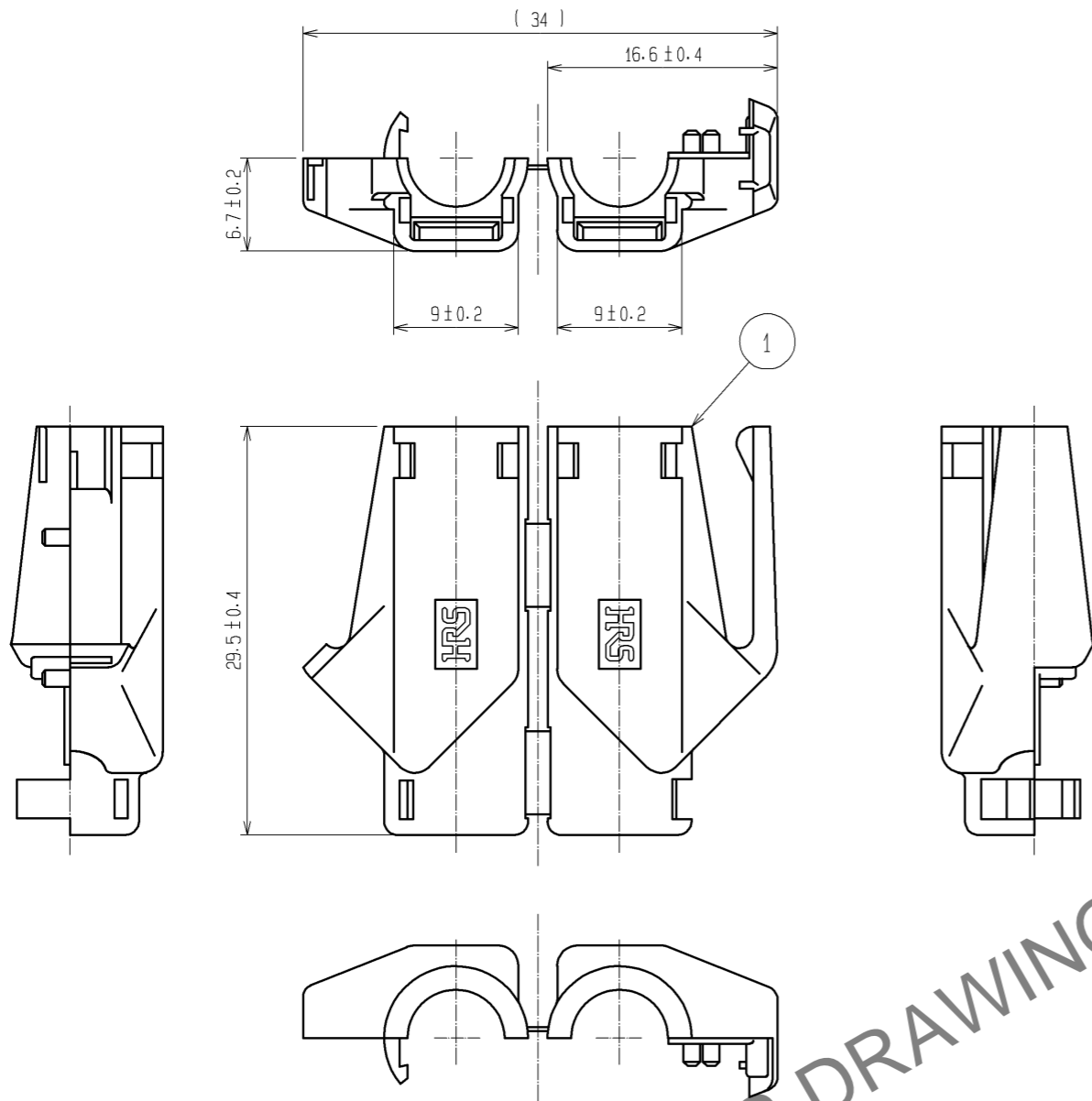


Dec.1.2024 Copyright 2024 HIROSE ELECTRIC CO., LTD. All Rights Reserved.
 In case of consideration for using Automotive equipment / device which demand high reliability, kindly contact our sales window correspondents.

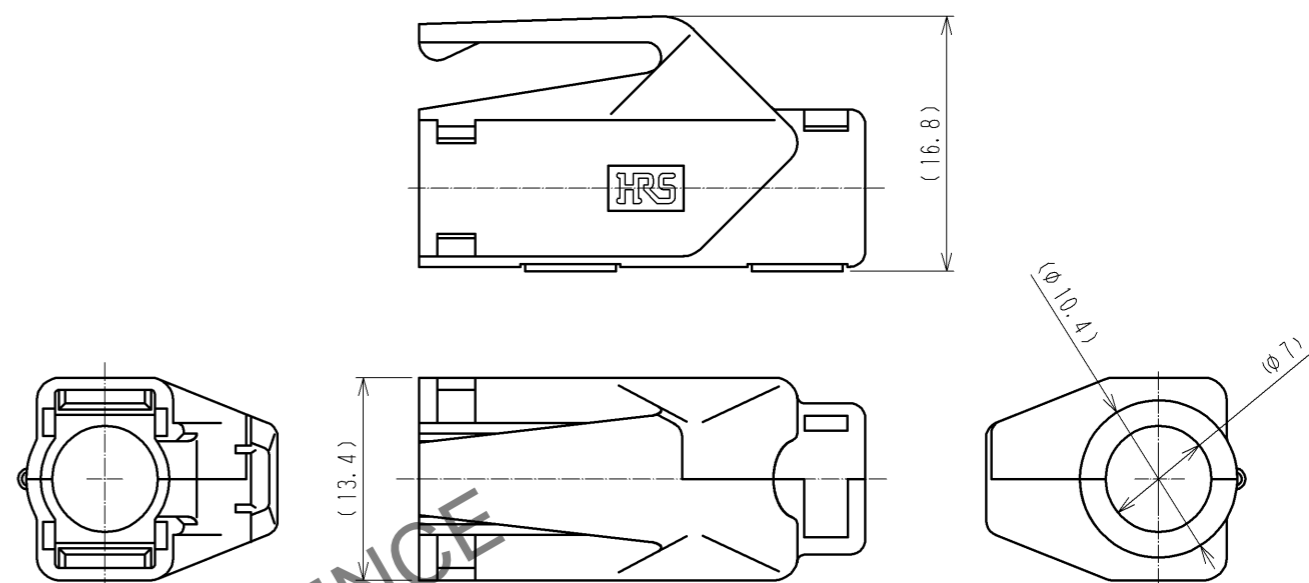


NOTE 1. () INDICATES THE REFERENCE DIMENSIONS.
 2. COLORS ARE SHOWN IN TABLE-1.
 3. PER PACK: 50 PIECES.

TABLE-1

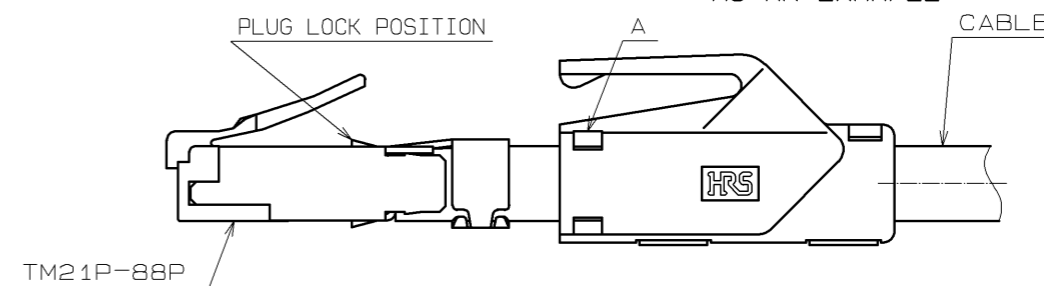
| PART No. | HRS No. | COLOR |
|-----------------|-----------------|--------------------|
| TM21P-88P(11) | CL222-2862-9-11 | LIGHT BEIGE |
| TM21P-88P(12) | CL222-2862-9-12 | MEDIUM GRAY |
| TM21P-88P(13) | CL222-2862-9-13 | BLACK |
| TM21P-88P(14) | CL222-2862-9-14 | NATURAL LIGHT GRAY |
| TM21P-88P(15) | CL222-2862-9-15 | RED |
| TM21P-88P(16) | CL222-2862-9-16 | GREEN |
| TM21P-88P(17) | CL222-2862-9-17 | BLUE |
| TM21P-88P(18) | CL222-2862-9-18 | YELLOW |
| TM21P-88P(19) | CL222-2862-9-19 | ORANGE |
| △ TM21P-88P(32) | CL222-2862-9-32 | WHITE |
| △ TM21P-88P(33) | CL222-2862-9-33 | VIOLET |
| △ TM21P-88P(34) | CL222-2862-9-34 | PINK |

ATTACHED HOOD CLOSED

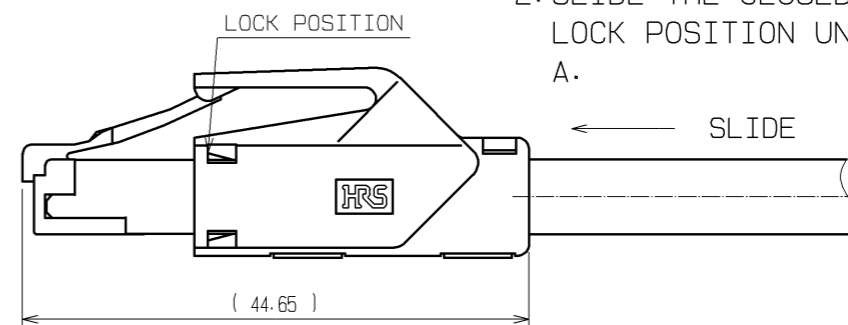


HOOD ATTACHMENT PROCEDURE (FREE)

1. FIT THE OPENED HOOD ON THE CABLE AND CLOSE. HOOD DIRECTION IS SHOWN AS AN EXAMPLE.



2. SLIDE THE CLOSED HOOD TO THE PLUG LOCK POSITION UNTIL BEING LOCKED AT A.



| NO. | MATERIAL | FINISH . REMARKS | NO. | MATERIAL | FINISH . REMARKS | | |
|---------------------------------|----------|------------------|----------------------------|--|---------------------|---------------------|--------------------|
| | | | 1 | POLYAMIDE | (2) UL94V-2 △ | | |
| UNITS mm | ⊙ | SCALE 2 : 1 | COUNT 3 | DESCRIPTION OF REVISIONS DIS-E-001276 | DESIGNED TS. ITO | CHECKED HO. MIWA | DATE 07. 02. 14 |
| APPROVED : HO. MIWA 05. 01. 05 | | | DRAWING NO. EDC3-121484-01 | | | | |
| CHECED : TH. KAMEYA 05. 01. 05 | | | PART NO. TM21P-88P (**) | | | | |
| DESIGNED : SS. SATOH 05. 01. 05 | | | CODE NO. | | | | |
| DRAWN : SS. SATOH 05. 01. 05 | | | | | | | |