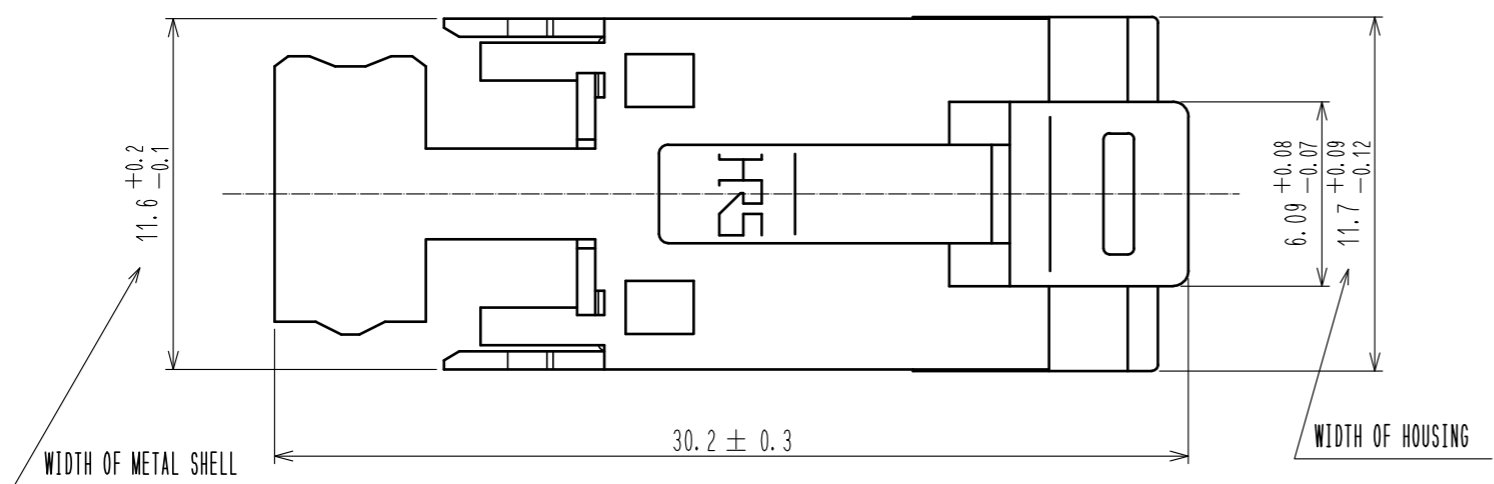
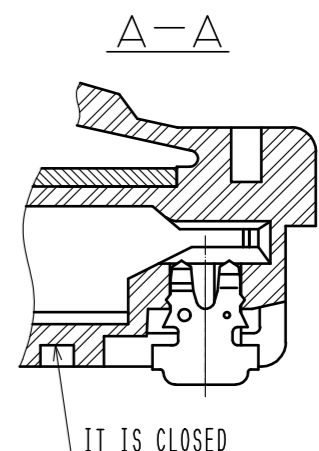
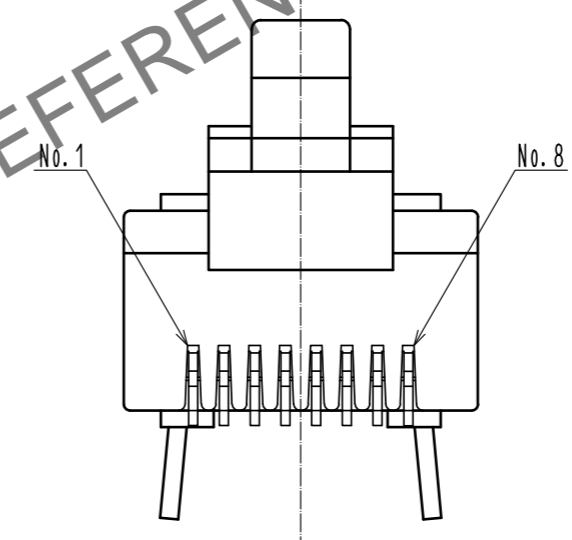
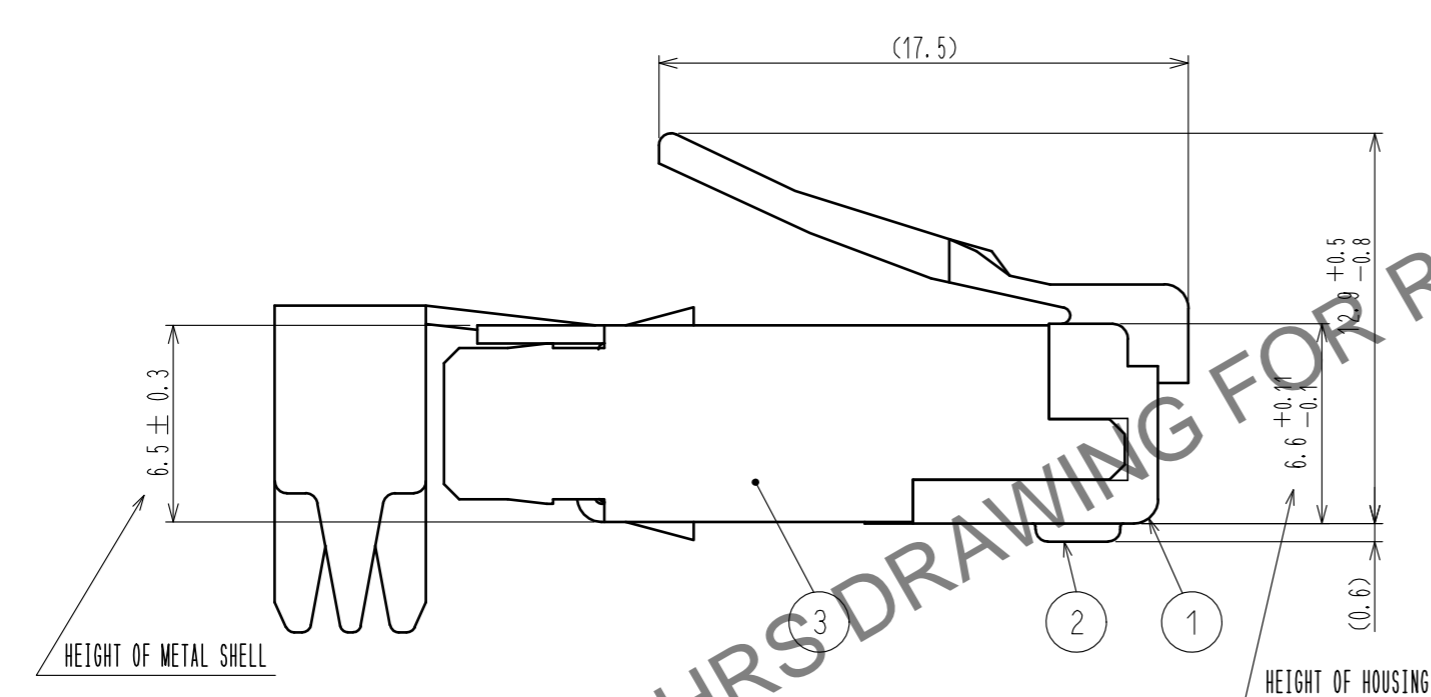


Feb.1.2025 Copyright 2025 HIROSE ELECTRIC CO., LTD. All Rights Reserved.  
In case of consideration for using Automotive equipment / device which demand high reliability, kindly contact our sales window correspondents.

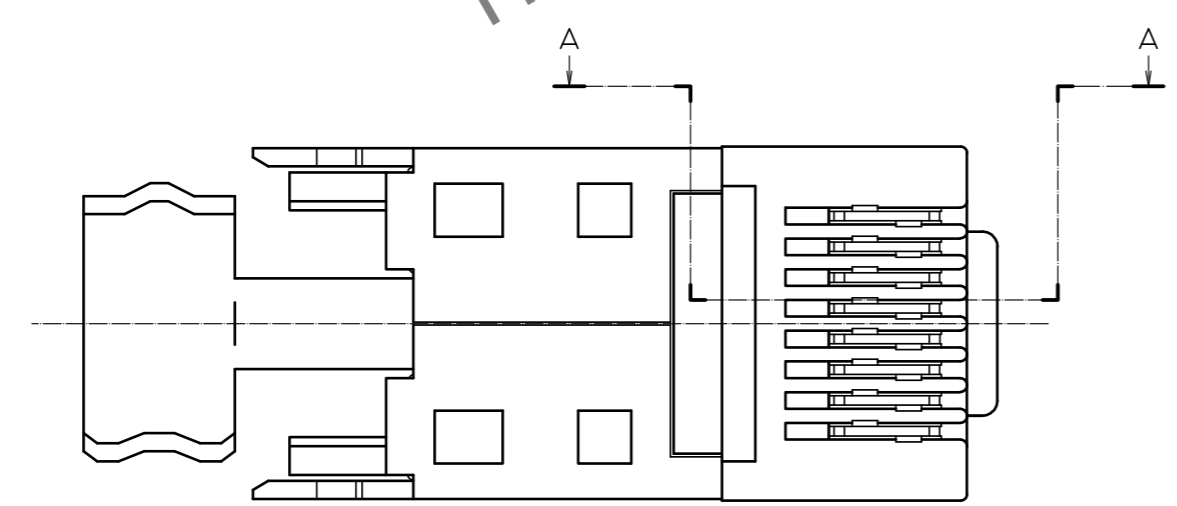


2 TABLE-1

APPLICABLE CABLE WIRE			
	CONDUCTOR	Ø0.5mm SOLID WIRE	
		AWG#24 (7/0.2) STRANDED WIRE	
	CONDUCTOR	AWG#25 (7/0.18) STRANDED WIRE	
		AWG#25 (7/0.18) STRANDED WIRE	
INSULATOR DIAMETER		(Ø0.9~1.0)	
JACKET DIAMETER		(Ø6.6) *1	



- NOTES
1. THE DIMENSIONS IN PARENTHESIS ARE FOR REFERENCE.
  2. APPLICABLE CABLE IS SHOWN IN TABLE-1  
\*1:THE OUTER DIAMETER OF THE VINYL JACKET VARIES SLIGHTLY DEPENDING ON THE HARDNESS:6.6DIA. IS FOR REFERENCE.
  3. TO SATISFY CAT5e PERFORMANCE, PLEASE ASSEMBLE ACCORDING TO HRS INSTRUCTION.
  4. THIS PRODUCT SATISFIES CAT6 REQUIREMENTS FOR BASIC LINK CONFIGURATION. (THE CONNECTOR BY ITSELF IS NOT CAT6 COMPLIANT.)  
APPLICABLE RECEPTACLE:  
TM21R-3C-88(\*\*)  
TM21R-5C-88(\*\*)  
TM21R-5C-88-LP(\*\*)



2	PHOSPHOR BRONZE	GOLD PLATING 1.27 μm			
1	POLYCARBONATE	<<CLEAR RED>> UL94V-2	3	BRASS	TIN PLATING
NO.	MATERIAL	FINISH . REMARKS	NO.	MATERIAL	FINISH . REMARKS
UNITS		SCALE	COUNT	DESCRIPTION OF REVISIONS	
mm		4:1		DESIGNED	CHECKED
<b>HRS</b> HIROSE ELECTRIC CO., LTD.		APPROVED : MN. KENJO	20221222	DRAWING NO. EDC-124144-00-01	
		CHECKED : KG. OKITA	20221222	PART NO. TM21P-TM-88P	
		DESIGNED : CT. YAMAMOTO	20221221	CODE NO. CL0222-2919-4-00	
		DRAWN : HK. SAITO	20221221		