

Dec.1.2024 Copyright 2024 HIROSE ELECTRIC CO., LTD. All Rights Reserved.  
In case of consideration for using Automotive equipment / device which demand high reliability, kindly contact our sales window correspondents.

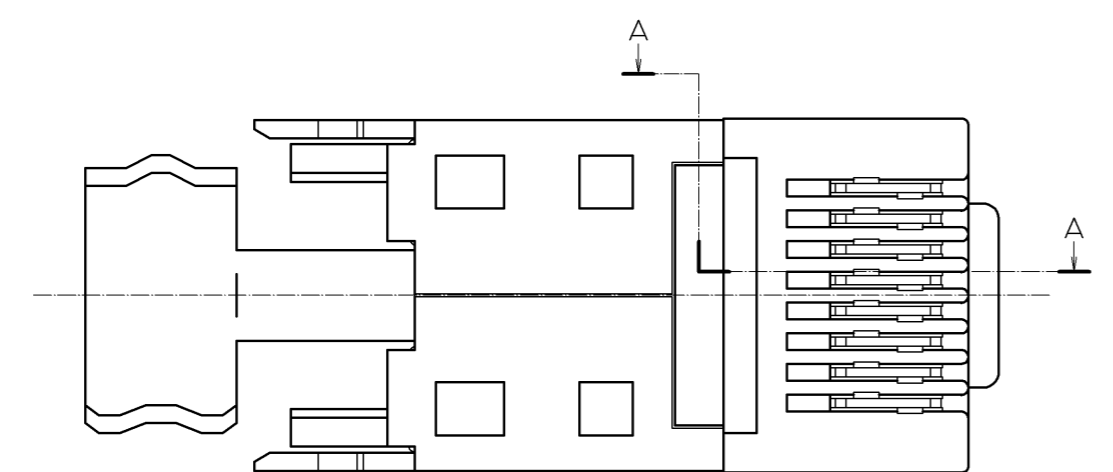
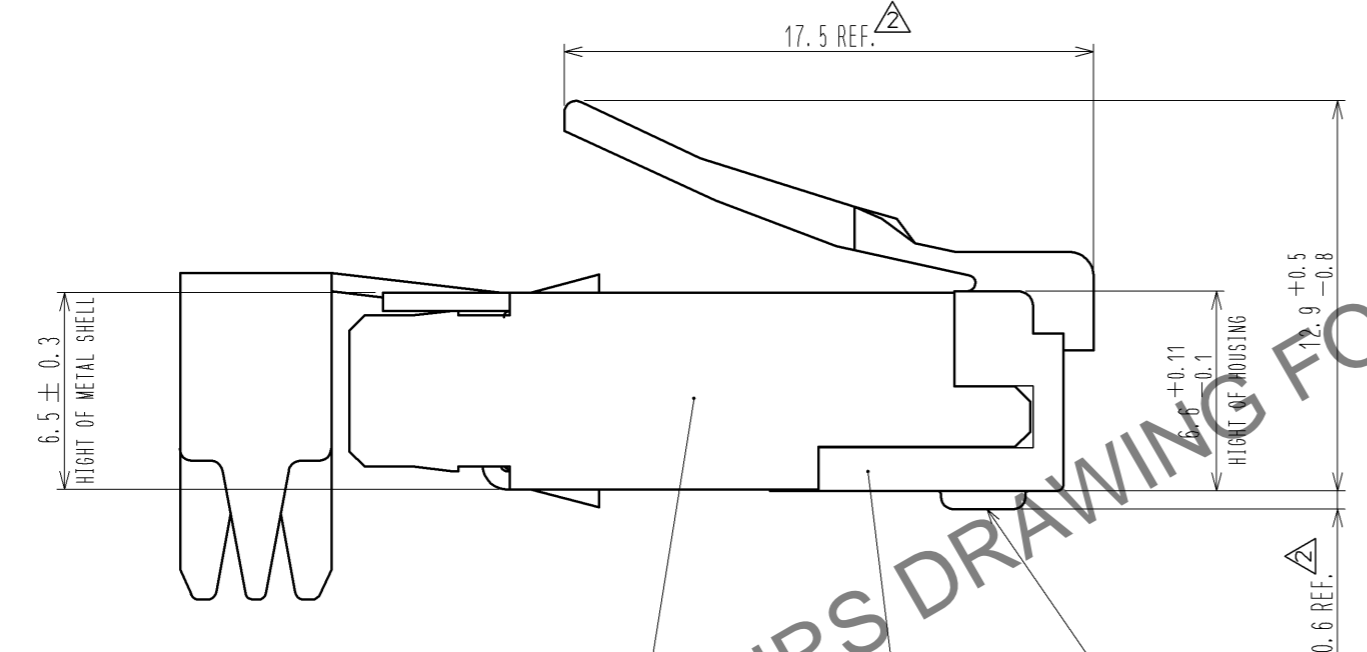
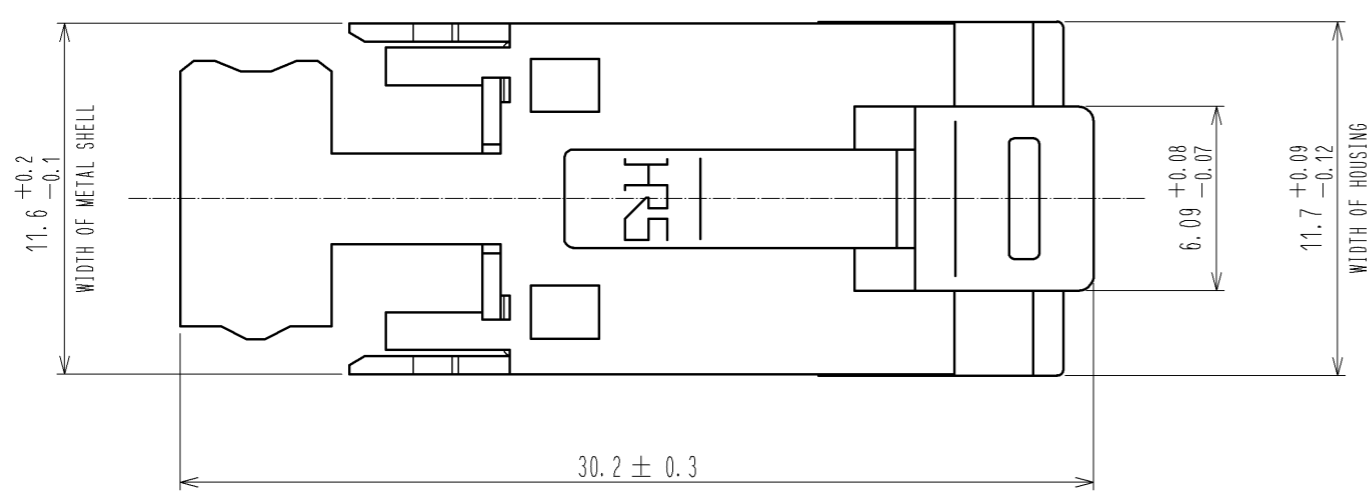
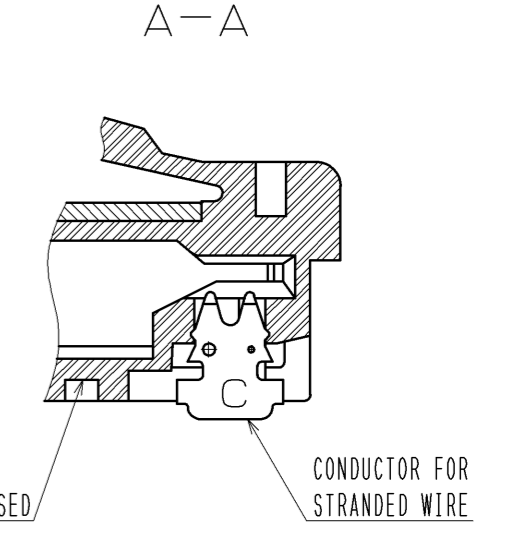
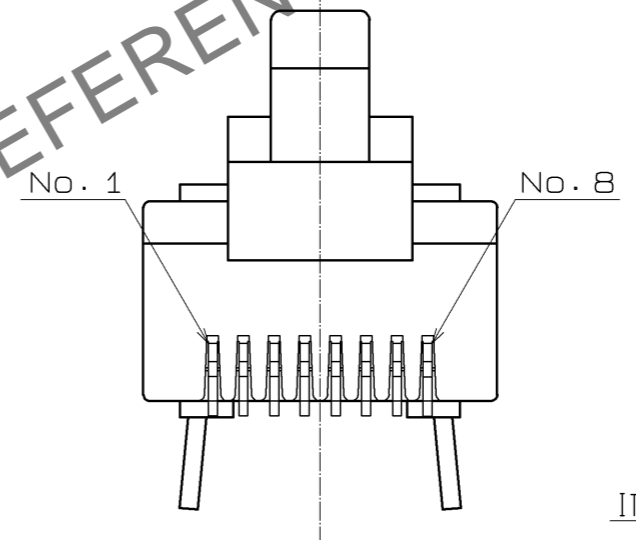


TABLE-1

APPLICABLE CABLE WIRE			
	CONDUCTOR	AWG#24/7 STRANDED WIRE AWG#26/7 STRANDED WIRE AWG#27/7 STRANDED WIRE	
	INSULATOR DIAMETER	(φ 0.9~φ 1.0)	
	JAKET DIAMETER	(φ 6.6)+1	

△+1: THE OUTER DIAMETER OF THE VINYL JACKET VARIES SLIGHTLY DEPENDING ON THE HARDNESS. 6.6 DIA. IS FOR REFERENCE.



- NOTES
1. THE DIMENSIONS IN PARENTHESIS ARE FOR REFERENCE.
  - △2 APPLICABLE CABLE IS SHOWN IN TABLE-1.
  3. TO SATISFY CAT5e PERFORMANCE, PLEASE ASSEMBLE ACCORDING TO HRS INSTRUCTION.
  4. APPLY SEPARATELY ORDERED GUIDE PLATE TM21P-88P(22) CL222-2862-9-22.
  5. THIS PRODUCT SATISFIES CAT6 REQUIREMENTS FOR BASIC LINK CONFIGURATION. (THE CONNECTOR BY ITSELF IS NOT CAT6 COMPLIANT.)  
COUNTERPART RECEPTACLE IS SHOWN BELOW.  
TM21R-3C-88(\*\*)  
TM21R-5C-88(\*\*)  
TM21R-5C-88-LP(\*\*)

1	PHOSPHOR BRONZE	CONTACT: Au PLATING 1.27 μm MIN LEAD : Au PLATING 0.03 μm MIN UNDER : Ni PLATING 2 μm MIN	3	BRASS	OVER : Sn REFLOW PLATING 1 μm MIN UNDER: Cu PLATING 0.5 μm MIN
			2	POLYCARBONATE	(CLEAR RED)UL94V-2
NO.	MATERIAL	FINISH . REMARKS	NO.	MATERIAL	FINISH . REMARKS
UNITS mm		SCALE 4:1	COUNT 5	DESCRIPTION OF REVISIONS DIS-E-003226	DESIGNED MT. ITANO
					CHECKED KI. NAGANUMA
					DATE 10.04.09
<b>HRS</b>	HIROSE ELECTRIC CO., LTD.	APPROVED : YH. ENAMI CHECKED : HK. TANAKA DESIGNED : MT. ITANO DRAWN : MT. ITANO	08.03.11 08.03.11 08.03.11 08.03.11	DRAWING NO. PART NO. CODE NO.	EDC3-125383-03 TM21DP-TM-88P(61) CL222-2941-3-61