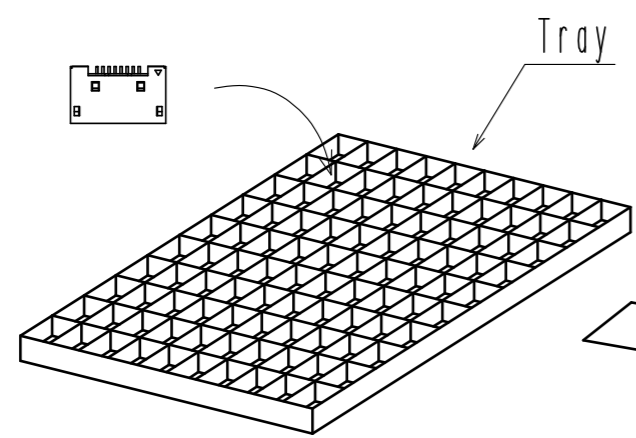


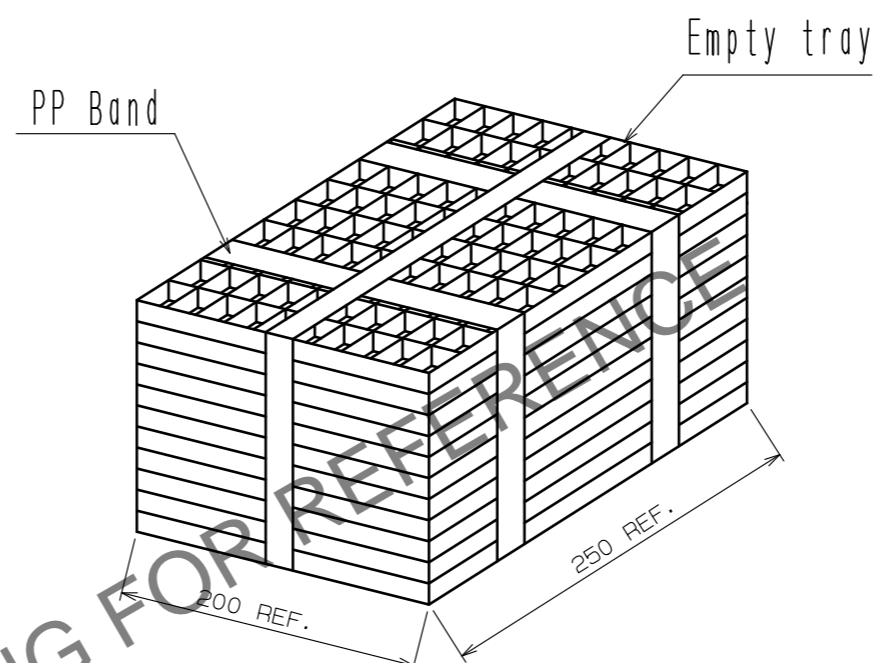
May.1.2024 Copyright 2024 HIROSE ELECTRIC CO., LTD. All Rights Reserved.
In case of consideration for using Automotive equipment / device which demand high reliability, kindly contact our sales window correspondents.

3 Packaging

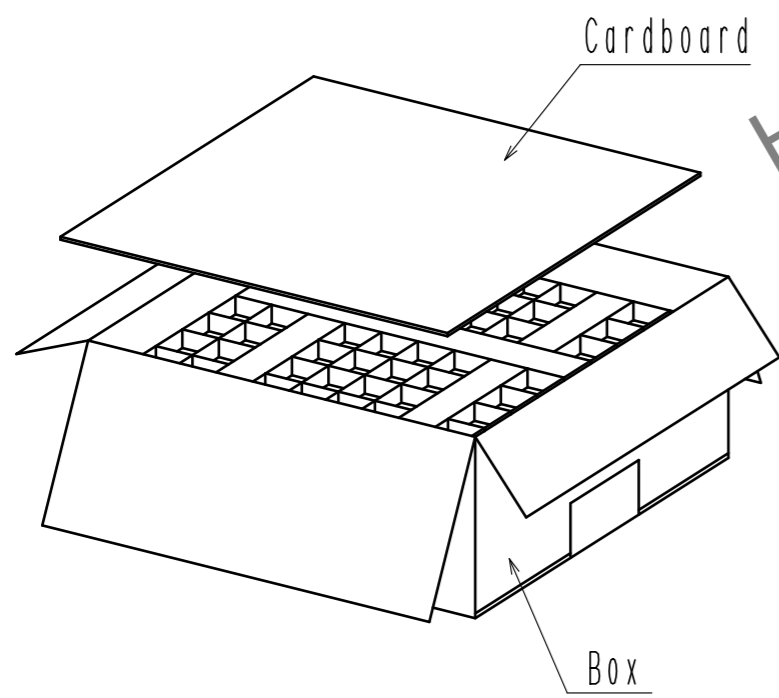
1. The connector is put in a tray in 100 PCS.



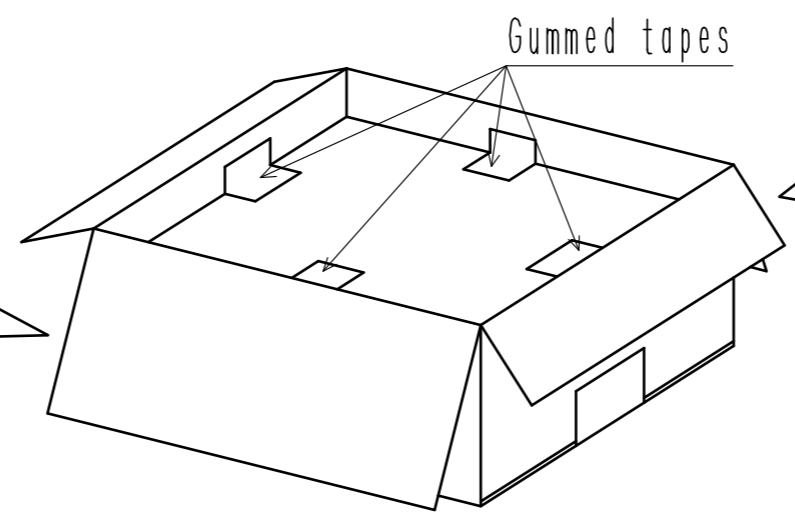
2. 10 trays of the connector are piled up aternately. Connector quality 1000 PCS.



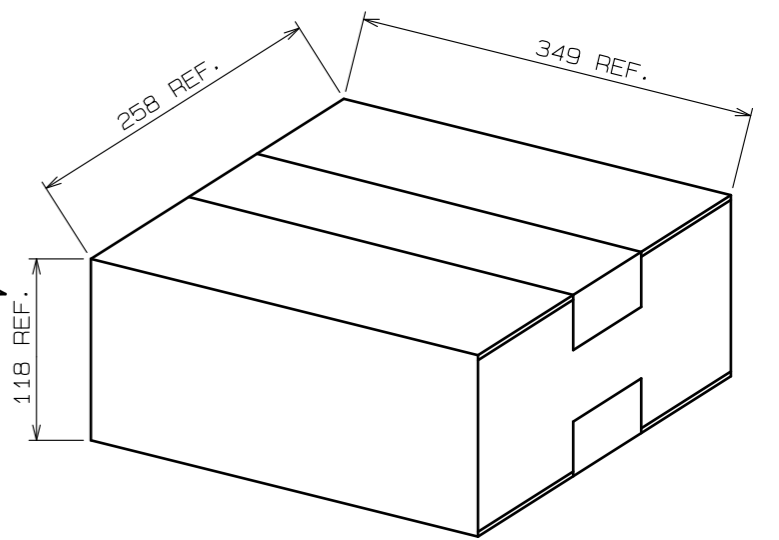
3. Piled up a pack of trays which banded in a box. Cover the top with the cardboard.



4. Fasten up the box and the cardboards with gummed tapes.



5. Close the box and fasten up with gummed tapes.



HRS DRAWING FOR REFERENCE

| | | |
|------------|-------------|------------------|
| HRS | DRAWING NO. | EDC-046585-55-00 |
| | PART NO. | 3260-8S2(55) |
| | CODE NO. | CL232-0009-6-55 |
| | | 2/2 |