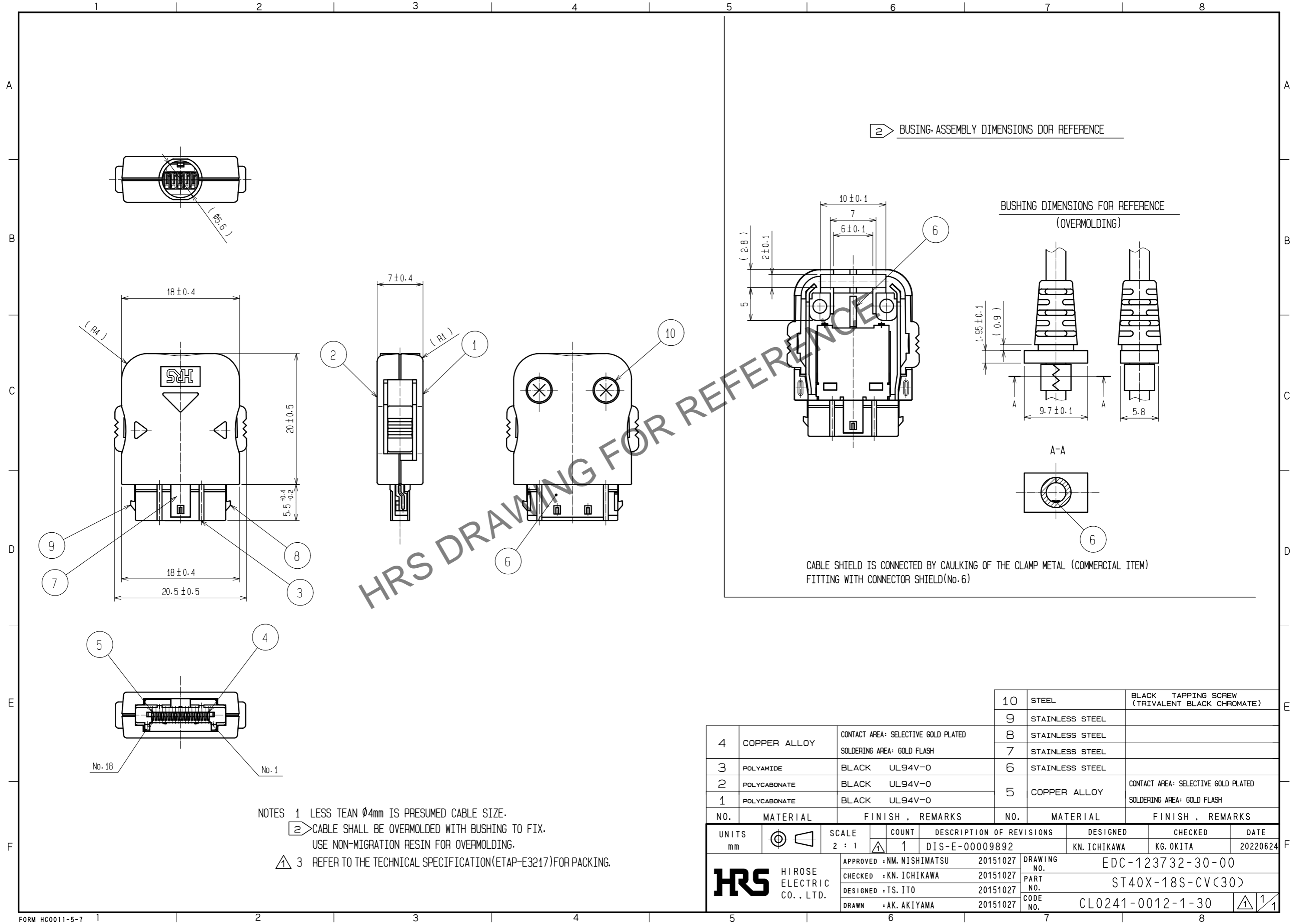


Jun.1.2024 Copyright 2024 HIROSE ELECTRIC CO., LTD. All Rights Reserved.
In case of consideration for using Automotive equipment / device which demand high reliability, kindly contact our sales window correspondents.



② BUSHING, ASSEMBLY DIMENSIONS FOR REFERENCE

BUSHING DIMENSIONS FOR REFERENCE (OVERMOLDING)

CABLE SHIELD IS CONNECTED BY CAULKING OF THE CLAMP METAL (COMMERCIAL ITEM) FITTING WITH CONNECTOR SHIELD(No.6)

NOTES 1 LESS TEAN $\phi 4\text{mm}$ IS PRESUMED CABLE SIZE.
② CABLE SHALL BE OVERMOLDED WITH BUSHING TO FIX.
USE NON-MIGRATION RESIN FOR OVERMOLDING.
③ REFER TO THE TECHNICAL SPECIFICATION(ETAP-E3217)FOR PACKING.

NO.	MATERIAL	FINISH . REMARKS	NO.	MATERIAL	FINISH . REMARKS
10	STEEL		10	STEEL	BLACK TAPPING SCREW (TRIVALENT BLACK CHROMATE)
9	STAINLESS STEEL		9	STAINLESS STEEL	
8	STAINLESS STEEL		8	STAINLESS STEEL	
7	STAINLESS STEEL		7	STAINLESS STEEL	
6	STAINLESS STEEL		6	STAINLESS STEEL	
5	COPPER ALLOY	CONTACT AREA: SELECTIVE GOLD PLATED SOLDERING AREA: GOLD FLASH	5	COPPER ALLOY	CONTACT AREA: SELECTIVE GOLD PLATED SOLDERING AREA: GOLD FLASH
4	COPPER ALLOY	CONTACT AREA: SELECTIVE GOLD PLATED SOLDERING AREA: GOLD FLASH			
3	POLYAMIDE	BLACK UL94V-0			
2	POLYCARBONATE	BLACK UL94V-0			
1	POLYCARBONATE	BLACK UL94V-0			

UNITS	SCALE	COUNT	DESCRIPTION OF REVISIONS	DESIGNED	CHECKED	DATE
mm	2 : 1	1	DIS-E-00009892	KN. ICHIKAWA	KG. OKITA	20220624

APPROVED	CHECKED	DESIGNED	DRAWN	DRAWING NO.	PART NO.	CODE NO.
NM. NISHIMATSU 20151027	KN. ICHIKAWA 20151027	TS. ITO 20151027	AK. AKIYAMA 20151027	EDC-123732-30-00	ST40X-18S-CV(30)	CL0241-0012-1-30