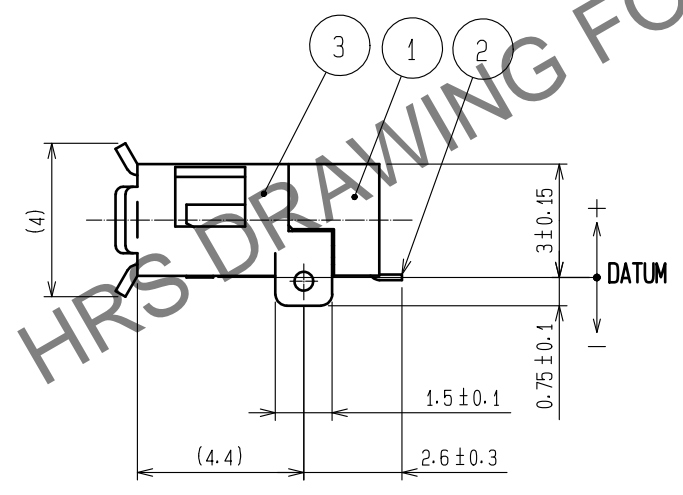
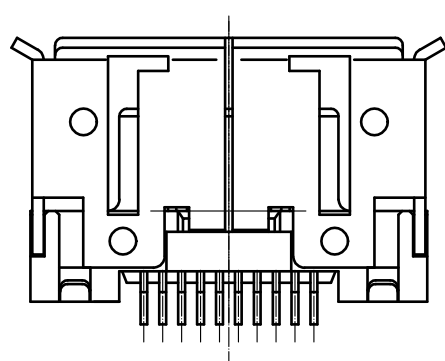
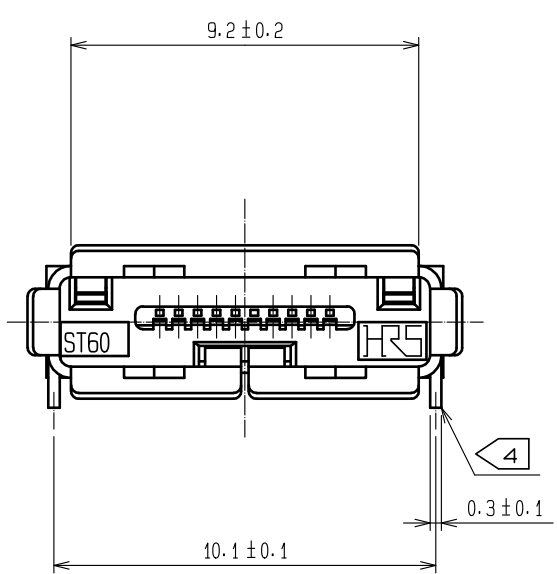
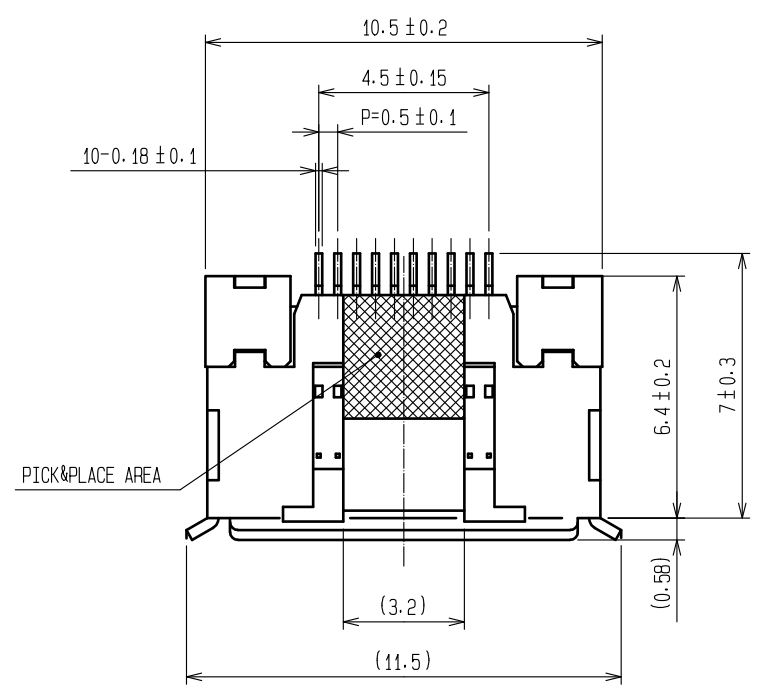
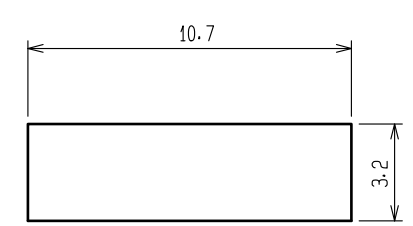


Jun.1.2024 Copyright 2024 HIROSE ELECTRIC CO., LTD. All Rights Reserved.  
In case of consideration for using Automotive equipment / device which demand high reliability, kindly contact our sales window correspondents.



- NOTE 1 1REEL:1500 PIECES.  
 2 CO-PLANARITY SPECIFICATION AS FIG SHOWN IN THE UNDER.  
 3 CONTACT AREA:GOLD PLATED 0.2#m MIN.  
 MOUNTING AREA:GOLD PLATED FLASH.  
 UNDER PLATING:NICKEL PLATED 2#m MIN.  
 2 SMT CO-PLANARITY  
 0.05  
 0 DATUM  
 -0.15  
 4 MANUAL SOLDERING OF THROUGH HOLE DIP IS NOT ACCEPTABLE.

PANEL CUTOUT(4:1)



PATTERN OF MOUNTING PLUG(4:1)

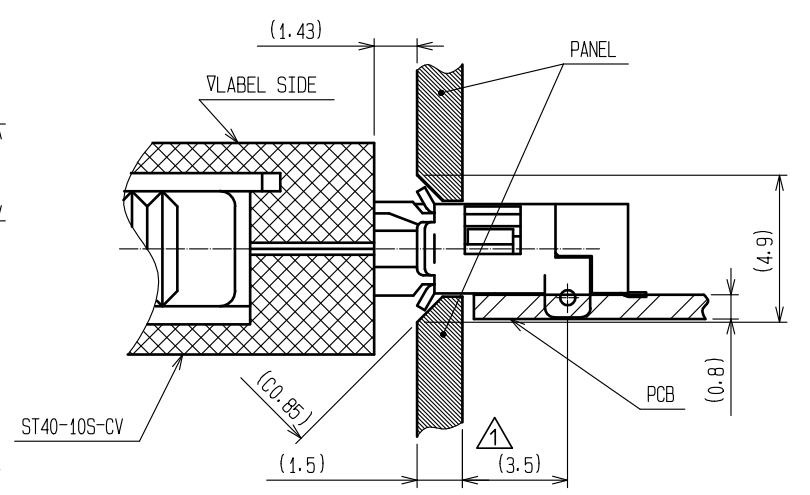
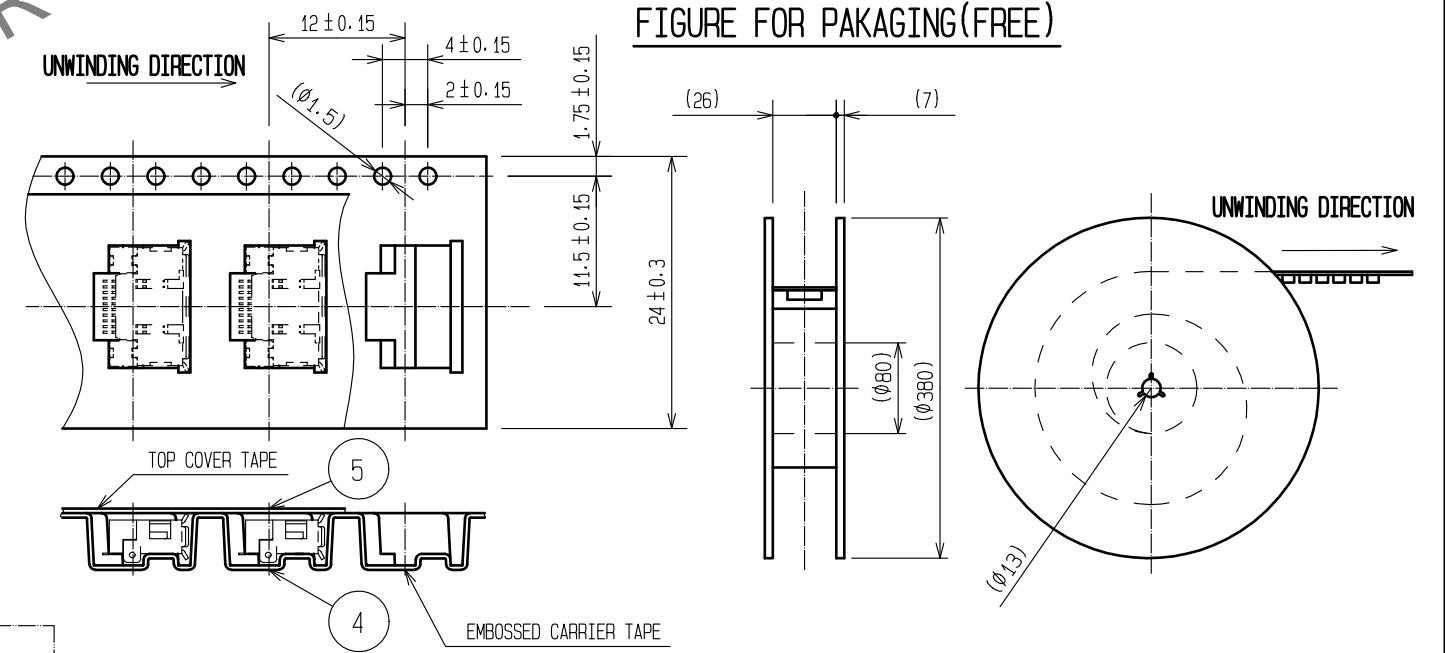


FIGURE FOR PAKAGING(FREE)



2	COPPER ALLOY		3	PE	TOP COVER TAPE
1	LCP	BLACK UL94V-0	4	PS	EMBOSSD CARRIER TAPE
			5	STAINLESS STEEL	TIN PLATED
NO.	MATERIAL	FINISH . REMARKS	NO.	MATERIAL	FINISH . REMARKS
UNITS	mm	SCALE	5 : 1	COUNT	1
		DESCRIPTION OF REVISIONS	DESIGNED	CHECKED	DATE
		DIS-E-00001453	MO. SHIMOYAMA	AH. KODAMA	18.04.12
APPROVED : NM. NISHIMATSU 15.10.27			DRAWING NO. EDC-124149-30-00		
CHECKED : KN. ICHIKAWA 15.10.27			PART NO. ST60-10P(30)		
DESIGNED : TS. ITO 15.10.27			CODE NO. CL241-0022-5-30		
DRAWN : AK. AKIYAMA 15.10.27			1/2		

