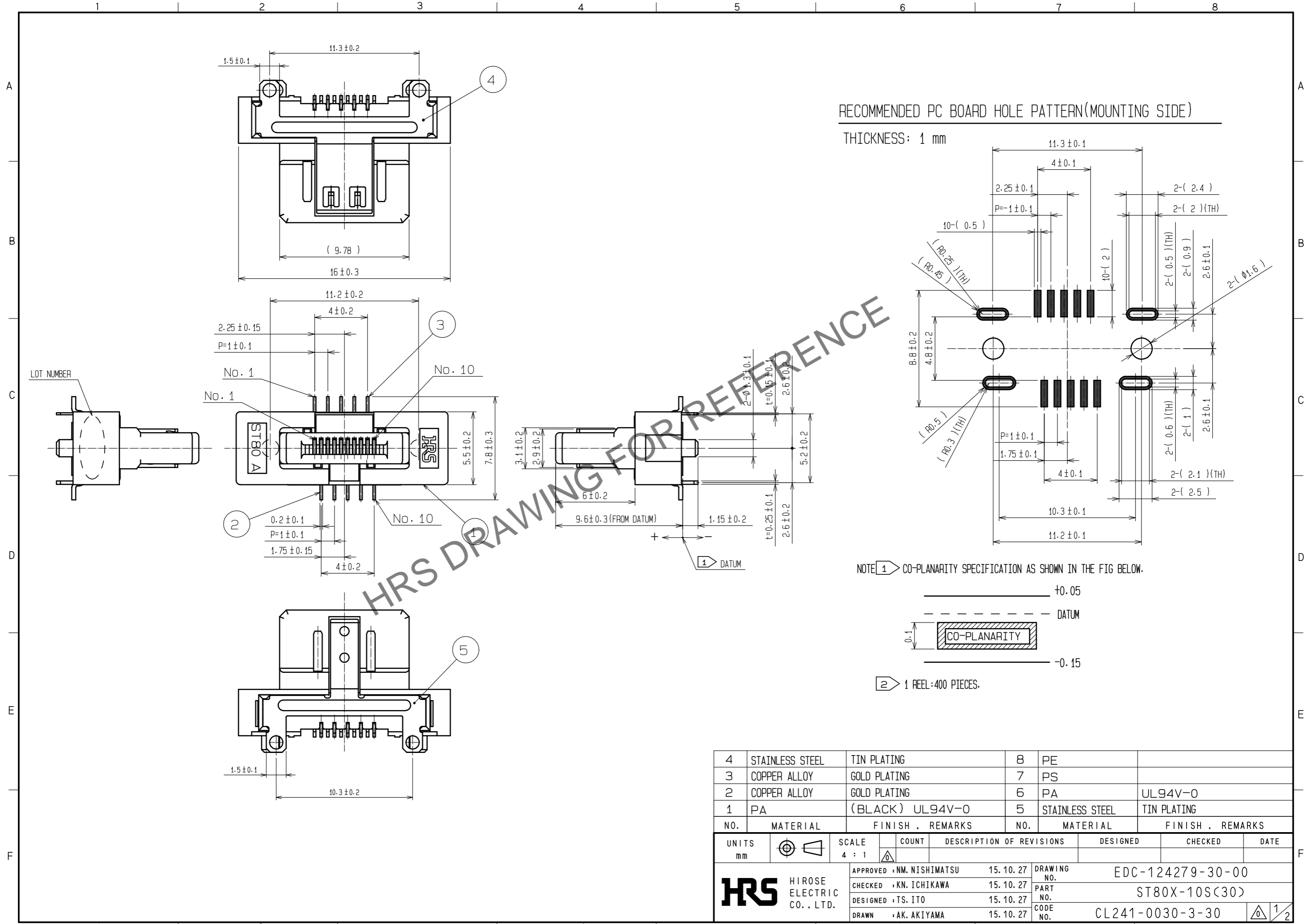


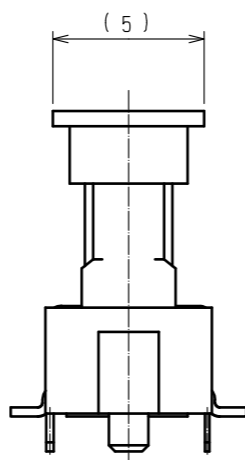
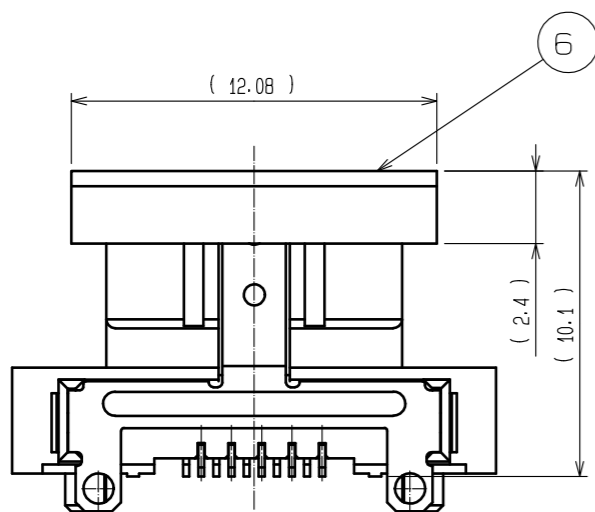
May.1.2024 Copyright 2024 HIROSE ELECTRIC CO., LTD. All Rights Reserved.
In case of consideration for using Automotive equipment / device which demand high reliability, kindly contact our sales window correspondents.



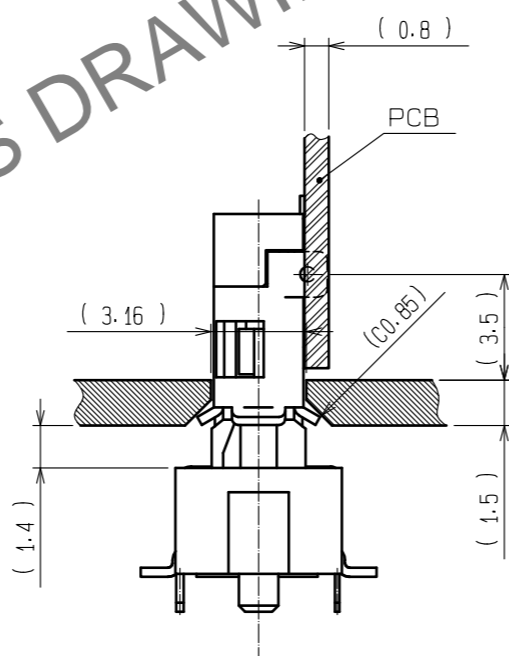
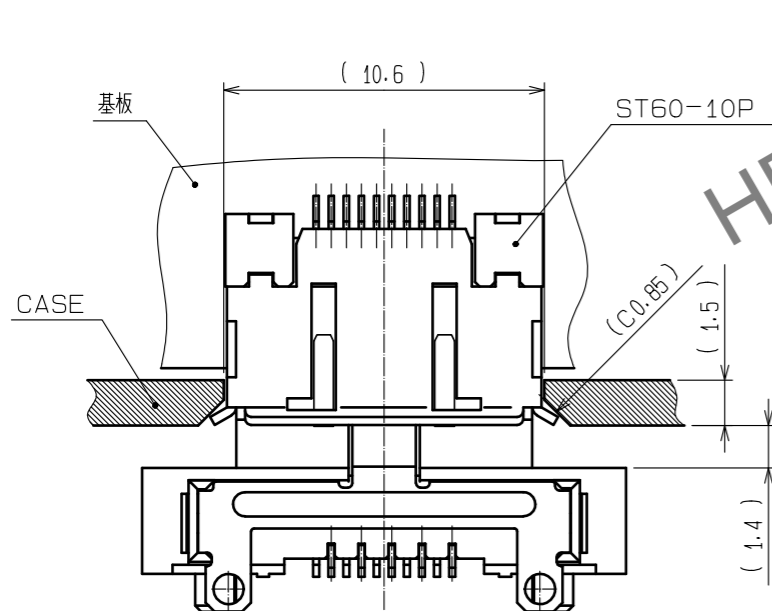
4	STAINLESS STEEL	TIN PLATING	8	PE	
3	COPPER ALLOY	GOLD PLATING	7	PS	
2	COPPER ALLOY	GOLD PLATING	6	PA	UL94V-0
1	PA	(BLACK) UL94V-0	5	STAINLESS STEEL	TIN PLATING
NO.	MATERIAL	FINISH . REMARKS	NO.	MATERIAL	FINISH . REMARKS
UNITS		SCALE	COUNT	DESCRIPTION OF REVISIONS	
mm		4 : 1		DESIGNED	CHECKED
HRS HIROSE ELECTRIC CO., LTD.			APPROVED : NM. NISHIMATSU	15.10.27	DRAWING NO. EDC-124279-30-00
			CHECKED : KN. ICHIKAWA	15.10.27	PART NO. ST80X-10S(30)
			DESIGNED : TS. ITO	15.10.27	CODE NO. CL241-0030-3-30
			DRAWN : AK. AKIYAMA	15.10.27	

May.1.2024 Copyright 2024 HIROSE ELECTRIC CO., LTD. All Rights Reserved.
 In case of consideration for using Automotive equipment / device which demand high reliability, kindly contact our sales window correspondents.

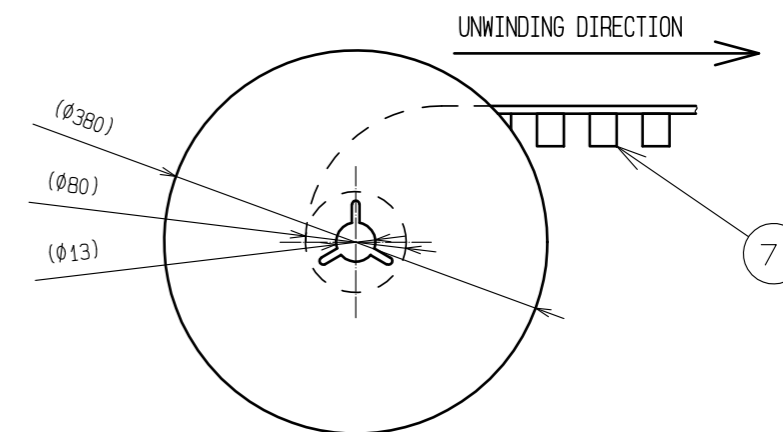
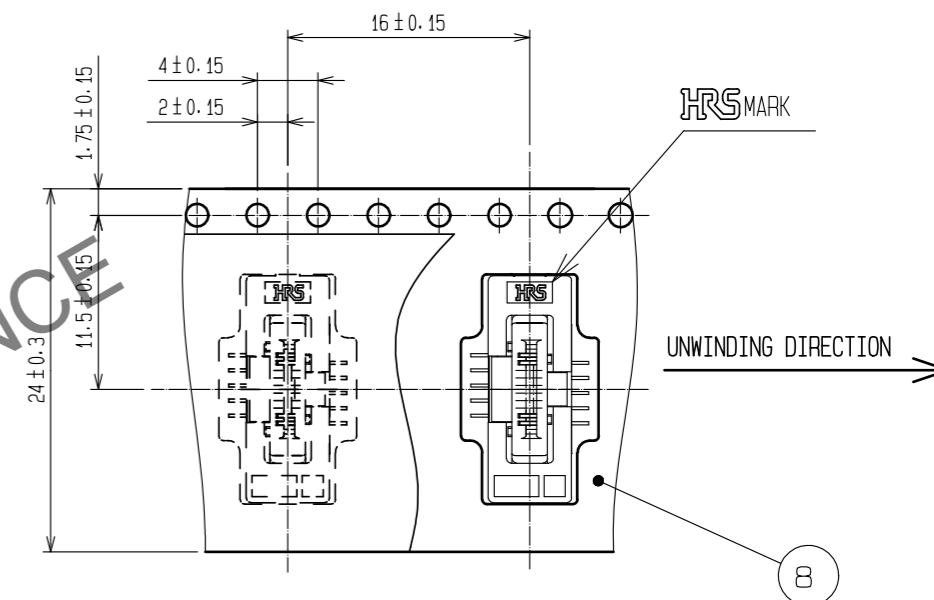
MOUNTING CAP ASSEMBLY



△ PATTERN OF MOUNTING PLUG



② FIGURE FOR PACKAGING (2:1)



HRS DRAWING FOR REFERENCE

HRS	DRAWING NO.	EDC-124279-30-00
	PART NO.	ST80X-10S(30)
	CODE NO.	CL241-0030-3-30
		△ 2/2