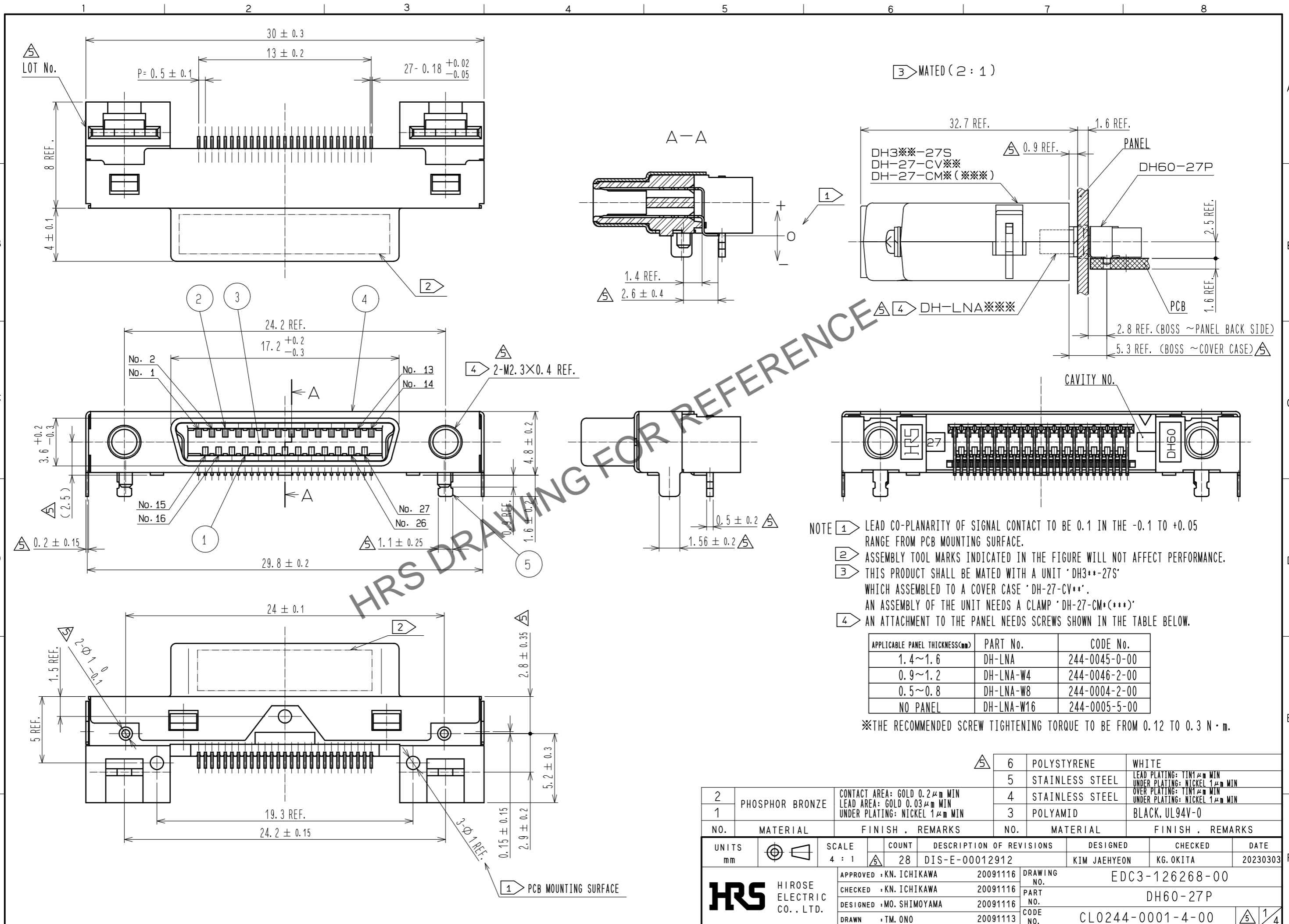
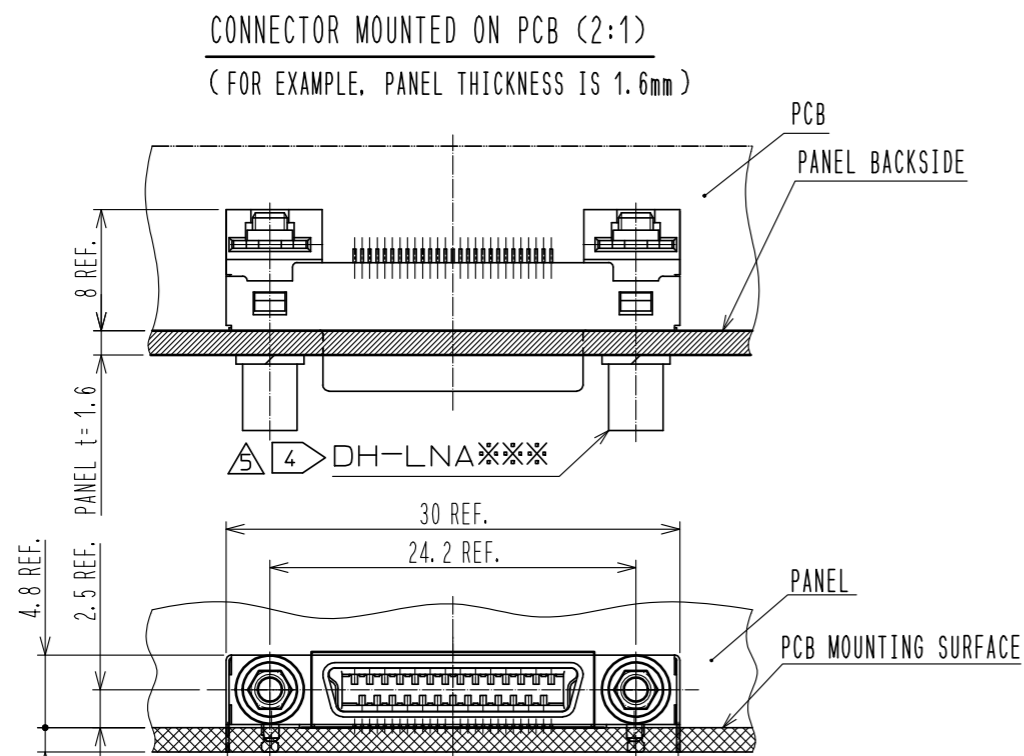


Oct.1.2024 Copyright 2024 HIROSE ELECTRIC CO., LTD. All Rights Reserved.
In case of consideration for using Automotive equipment / device which demand high reliability, kindly contact our sales window correspondents.

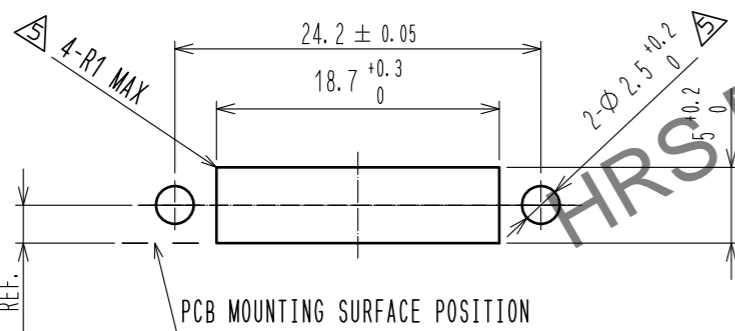


Oct.1.2024 Copyright 2024 HIROSE ELECTRIC CO., LTD. All Rights Reserved.
 In case of consideration for using Automotive equipment / device which demand high reliability, kindly contact our sales window correspondents.

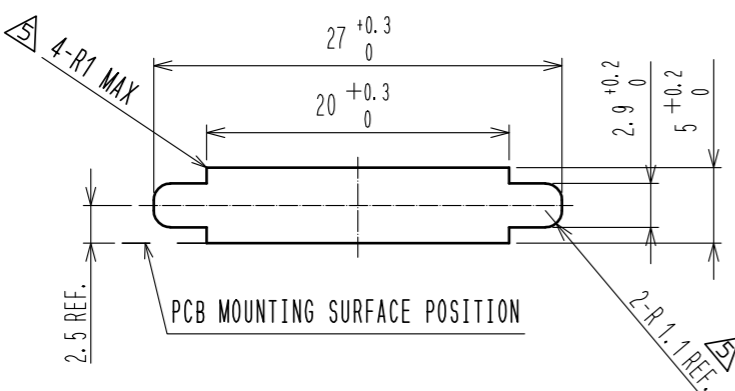


PANEL CUTOUT FOR REFERENCE (2:1)
 (THE DIMENSION IS SPECIFIED BASED ON THE CENTER OF THE CONNECTOR INTERFACE.)

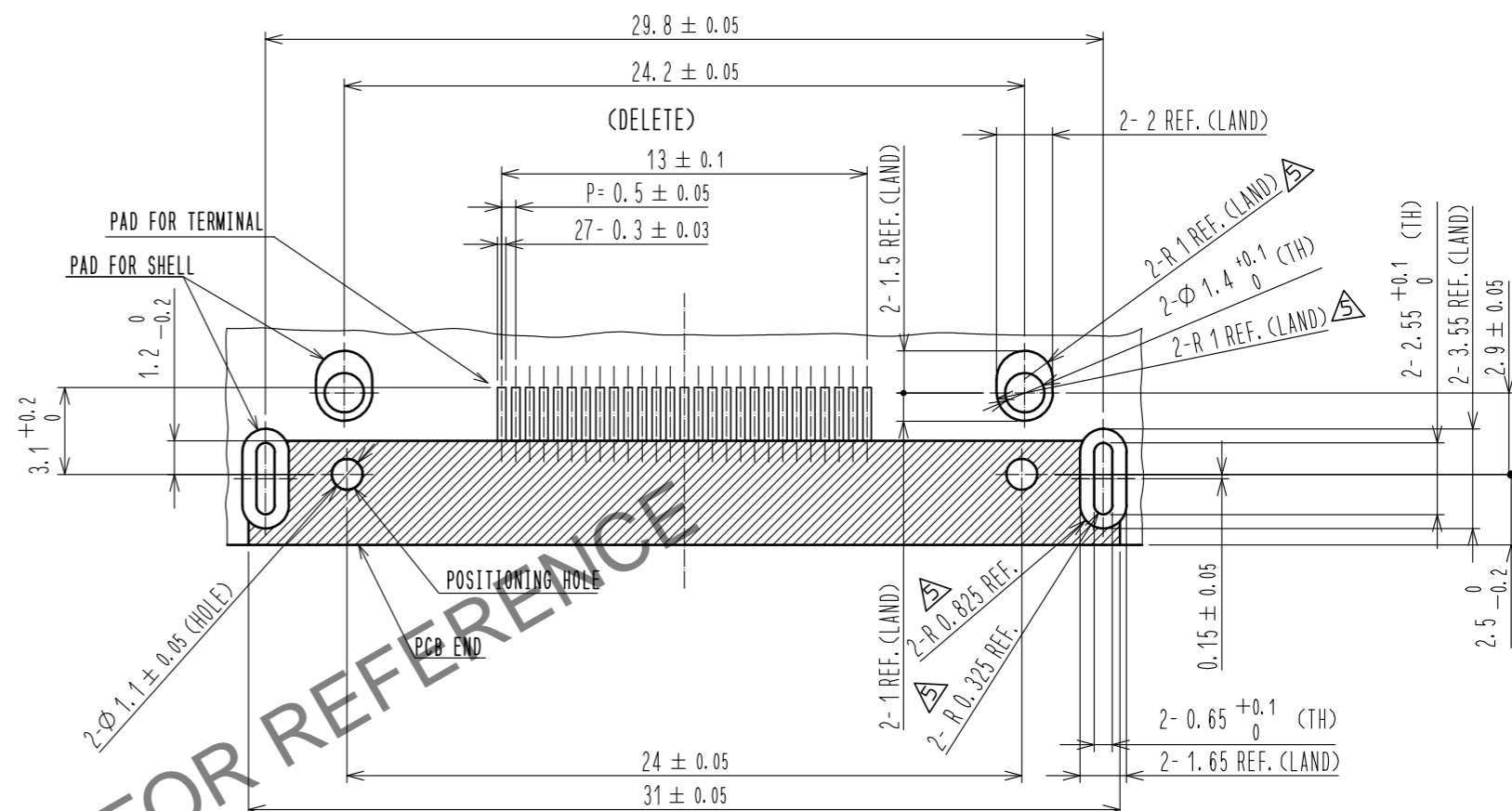
DH-LNA (CL244-0045-0-00) IS USED.



DH-LNA-W4 (CL244-0046-2-00)
 DH-LNA-W8 (CL244-0004-2-00) IS USED.

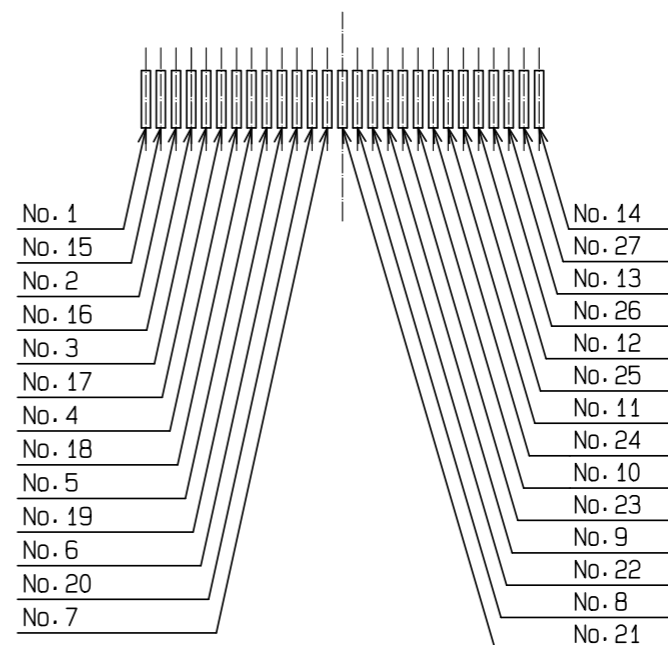


PCB LAYOUT FOR REFERENCE (MOUNTING SURFACE SIDE)



▨ : PATTERN PROHIBITION AREA

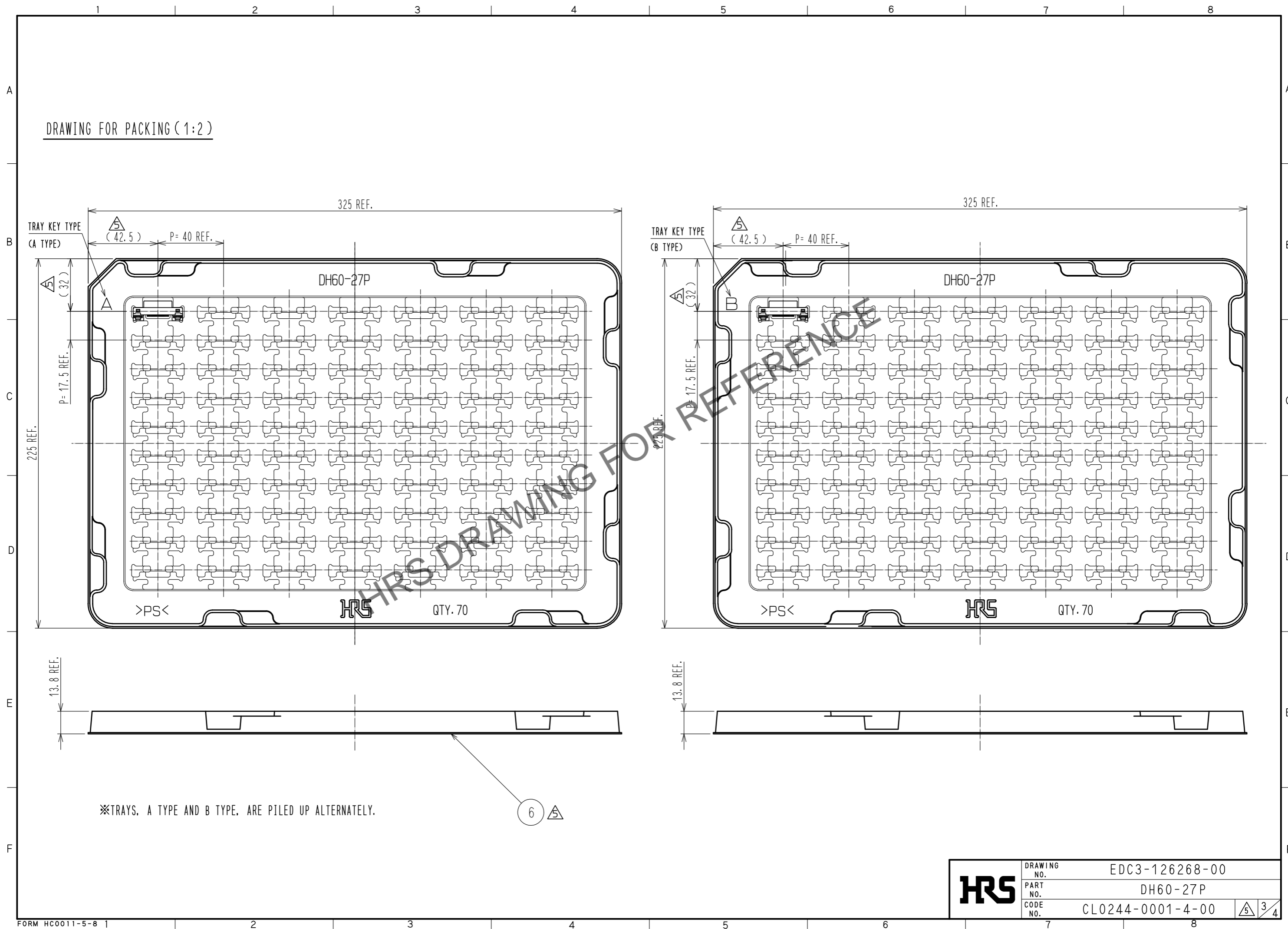
TERMINAL No. CHART



| | | |
|------------|-------------|------------------|
| HRS | DRAWING NO. | EDC3-126268-00 |
| | PART NO. | DH60-27P |
| | CODE NO. | CL0244-0001-4-00 |
| | | 2/4 |

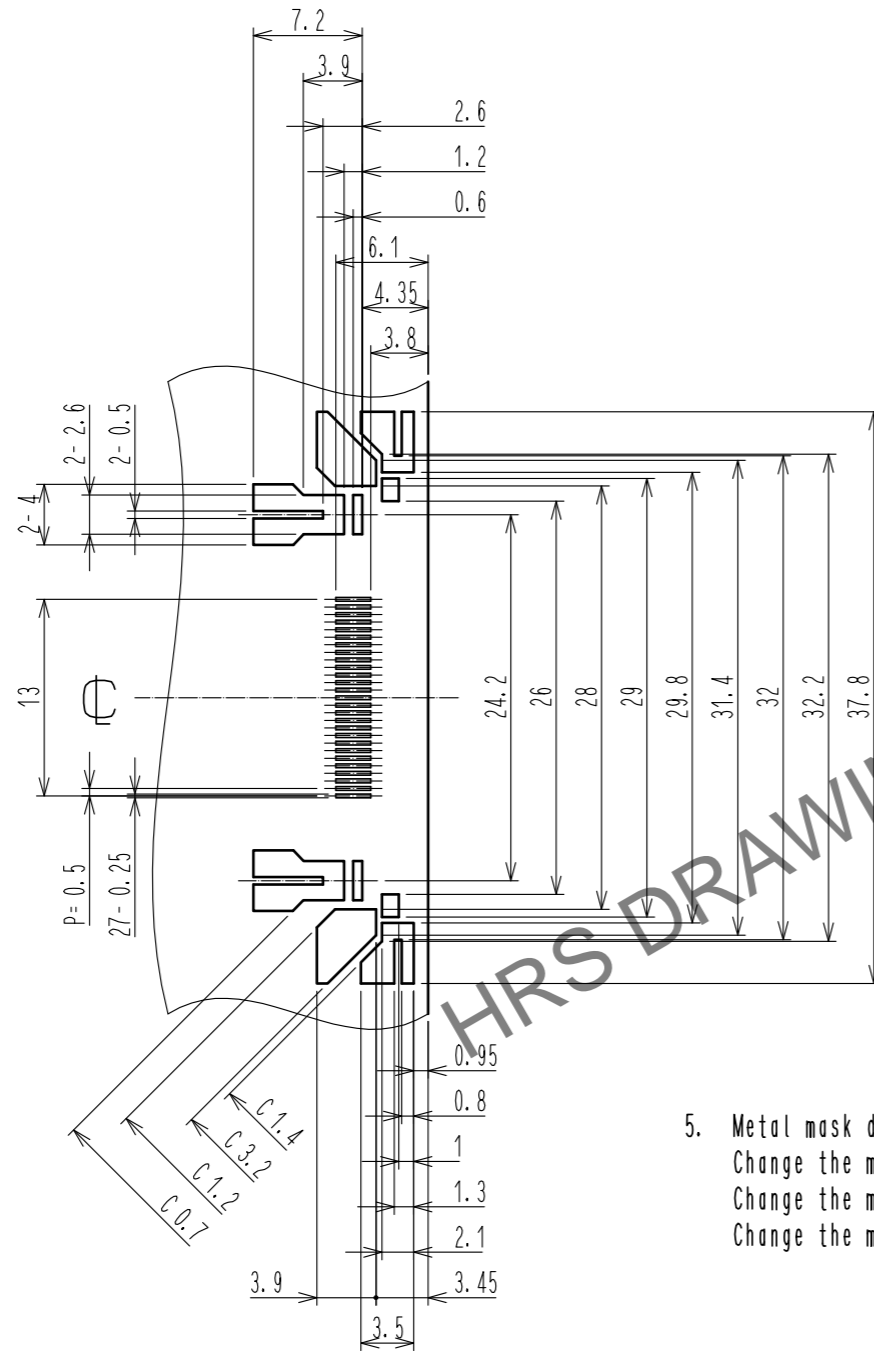
Oct. 1.2024 Copyright 2024 HIROSE ELECTRIC CO., LTD. All Rights Reserved.
In case of consideration for using Automotive equipment / device which demand high reliability, kindly contact our sales window correspondents.

DRAWING FOR PACKING (1:2)



Oct.1.2024 Copyright 2024 HIROSE ELECTRIC CO., LTD. All Rights Reserved.
In case of consideration for using Automotive equipment / device which demand high reliability, kindly contact our sales window correspondents.

REFERENCE METAL MASK LAYOUT(2:1)
(t=0.15)



GENERAL TOLERANCE IS ± 0.05

5. Metal mask dimensions of the drawings described, are reference dimensions for 0.15 mm thickness metal mask.
Change the metal mask dimensions by thickness of the metal mask, thickness of PCB, component of solder paste and mounting conditions.
Change the metal mask dimensions in case of mounting DH**-*P in parallel.
Change the metal mask dimensions, if there are other mounting parts or implementation pattern around the portion of mounting position of DH**-*P.

HRS

| | |
|-------------|------------------|
| DRAWING NO. | EDC3-126268-00 |
| PART NO. | DH60-27P |
| CODE NO. | CL0244-0001-4-00 |

4/4