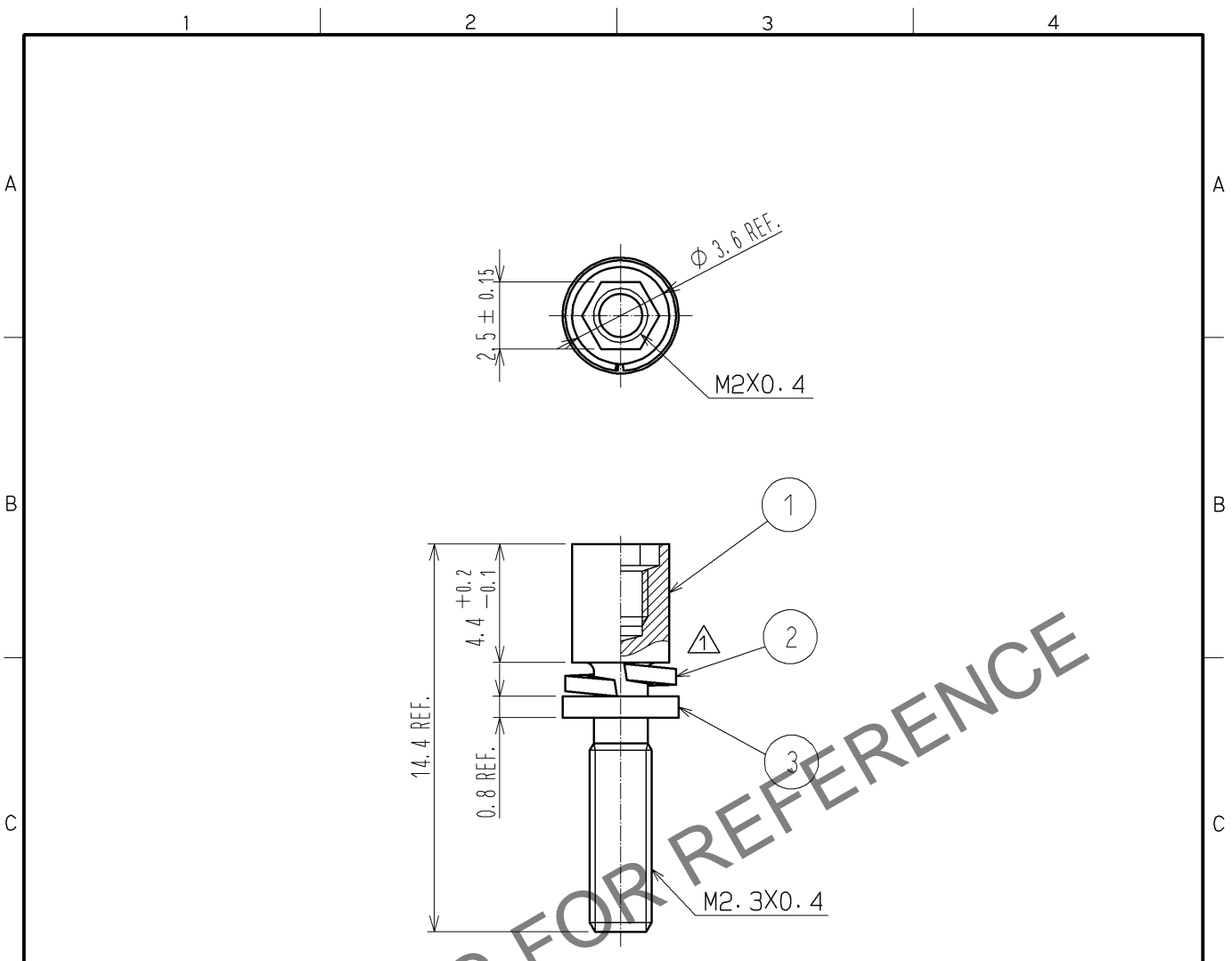
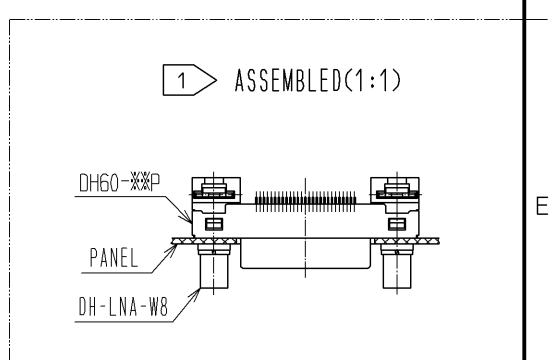


Oct.1.2024 Copyright 2024 HIROSE ELECTRIC CO., LTD. All Rights Reserved.
 In case of consideration for using Automotive equipment / device which demand high reliability, kindly contact our sales window correspondents.



NOTE ① THIS PRODUCT IS ASSEMBLED TO A "DH60-**P".
 THE APPLICABLE PANEL THICKNESS IS FROM 0.5 TO 0.8mm.
 ② THIS PRODUCT IS PACKED IN A BAG. (QUANTITY IN A BAG : 200pcs.)



NO.	MATERIAL	FINISH . REMARKS	NO.	MATERIAL	FINISH . REMARKS
1	STEEL	OVER PLATING : NICKEL 5μm MIN UNDER PLATING : COPPER 1μm MIN	3	STEEL	OVER PLATING : NICKEL 5μm MIN UNDER PLATING : COPPER 1μm MIN
			2	STEEL	OVER PLATING : NICKEL 5μm MIN UNDER PLATING : COPPER 1μm MIN

UNITS	SCALE	COUNT	DESCRIPTION OF REVISIONS	DESIGNED	CHECKED	DATE
mm	4 : 1	② 1	DIS-E-003059	MO. SHIMOYAMA	KN. ICHIKAWA	09.12.07

HIROSE ELECTRIC CO., LTD.	APPROVED : AO. SUZUKI	09.04.27	DRAWING NO.	EDC4-126529-00	
	CHECKED : MO. SHIMOYAMA	09.04.24	PART NO.	DH-LNA-W8	
	DESIGNED : TS. ITO	09.04.24	CODE NO.	CL244-0004-2-00	
	DRAWN : TS. ITO	09.04.24			