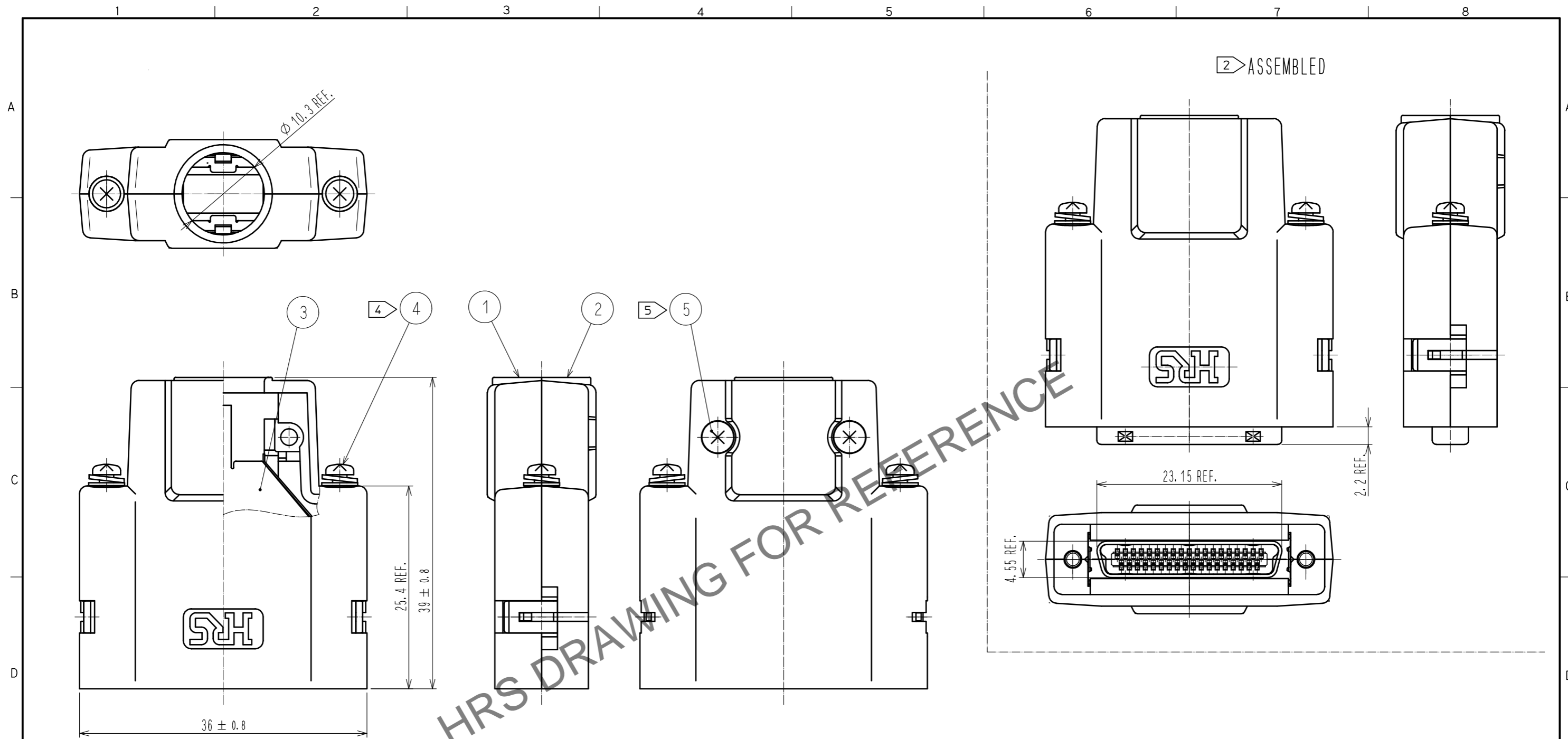


Nov.1.2024 Copyright 2024 HIROSE ELECTRIC CO., LTD. All Rights Reserved.  
In case of consideration for using Automotive equipment / device which demand high reliability, kindly contact our sales window correspondents.



- NOTE 1. THIS PRODUCT IS DELIVERED SEPARATELY.  
 2 AS SHOWN IN THE FIGURE, THIS PRODUCT SHALL BE USED ASSEMBLED TO A CONNECTOR UNIT 'DH40-37S' or 'DH3+B-37S'. A CLAMP 'DH-37-CMB(8.8)' IS NEEDED WHEN ASSEMBLING THE UNIT.  
 3. THIS PRODUCT SHALL BE MATED WITH A RECEPTACLE 'DH60-37P\*' WHICH ASSEMBLED LOCK SCREWS 'DH-LNA\*\*\*'.  
 4 A RECOMMENDED SCREW TIGHTENING TORQUE TO THE LOCK SCREWS TO BE FROM 0.06 TO 0.07 N · m.  
 5 A RECOMMENDED SCREW TIGHTENING TORQUE FOR COVERS TO BE FROM 0.1 TO 0.15 N · m.

NO.	MATERIAL	FINISH . REMARKS	NO.	MATERIAL	FINISH . REMARKS
3	STAINLESS STEEL	PLATING : NICKEL 0.1 μm MIN	5	STEEL	TRIVALENT BLACK CHROMATE
2	PC	UL94V-0(BLACK)	4	STEEL	OVER PLATING : NICKEL 2 μm MIN UNDER PLATING : COPPER 1 μm MIN M2×0.4
1					

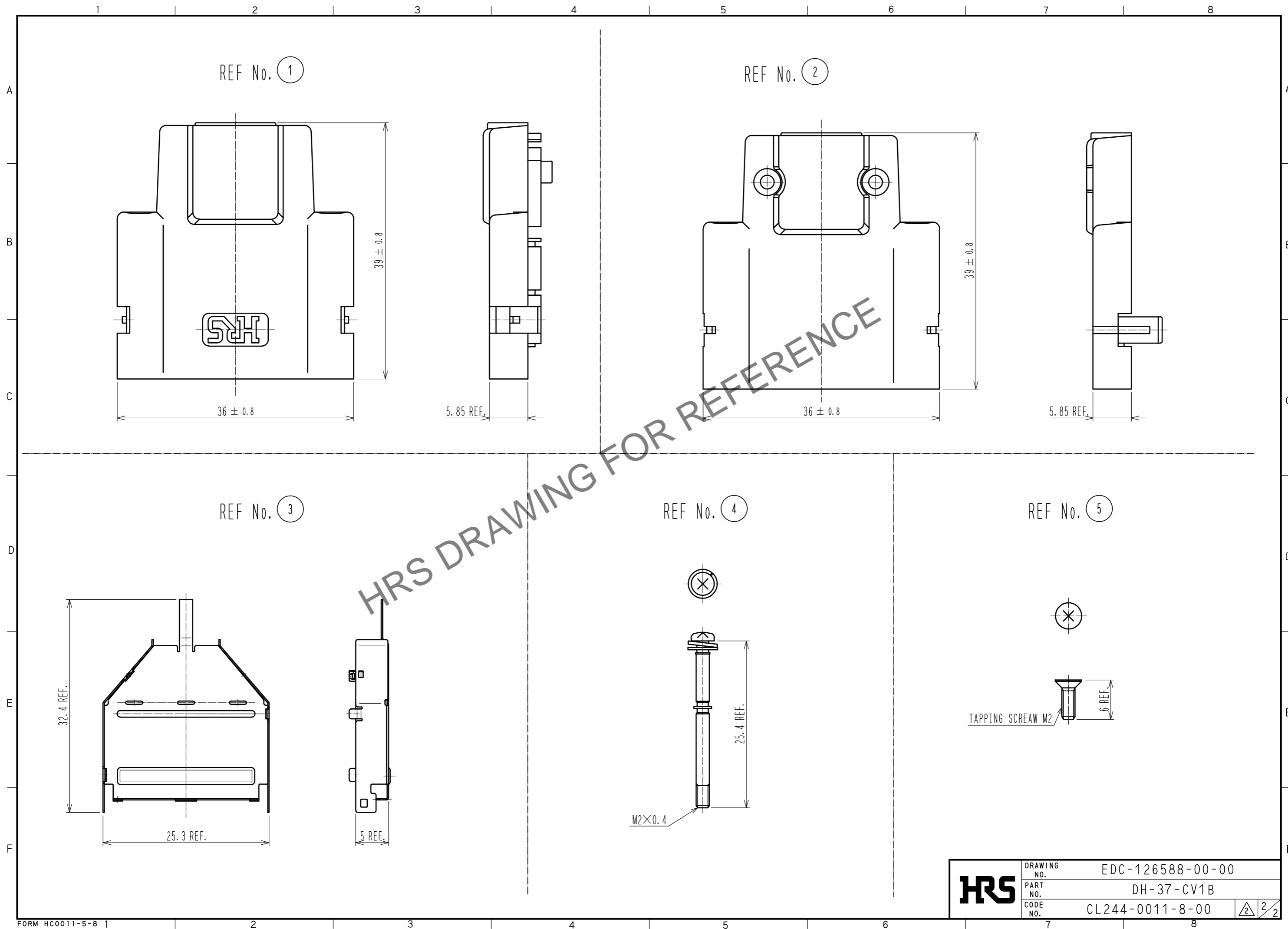
  

UNITS	SCALE	COUNT	DESCRIPTION OF REVISIONS	DESIGNED	CHECKED	DATE
mm	4 : 1	1	DIS-E-00002570	TS. ITO	TU. TANIGUCHI	20191007

APPROVED : KN. ICHIKAWA	20091117	DRAWING NO.	EDC-126588-00-00
CHECKED : KN. ICHIKAWA	20091117	PART NO.	DH-37-CV1B
DESIGNED : MO. SHIMOYAMA	20091117	CODE NO.	CL244-0011-8-00
DRAWN : TM. ONO	20091116		

Nov.1.2024 Copyright 2024 HIROSE ELECTRIC CO., LTD. All Rights Reserved.  
In case of consideration for using Automotive equipment / device which demand high reliability, kindly contact our sales window correspondents.



<b>HRS</b>	DRAWING NO.	EDC-126588-00-00
	PART NO.	DH-37-CV1B
	CODE NO.	CL244-0011-8-00
		2/2