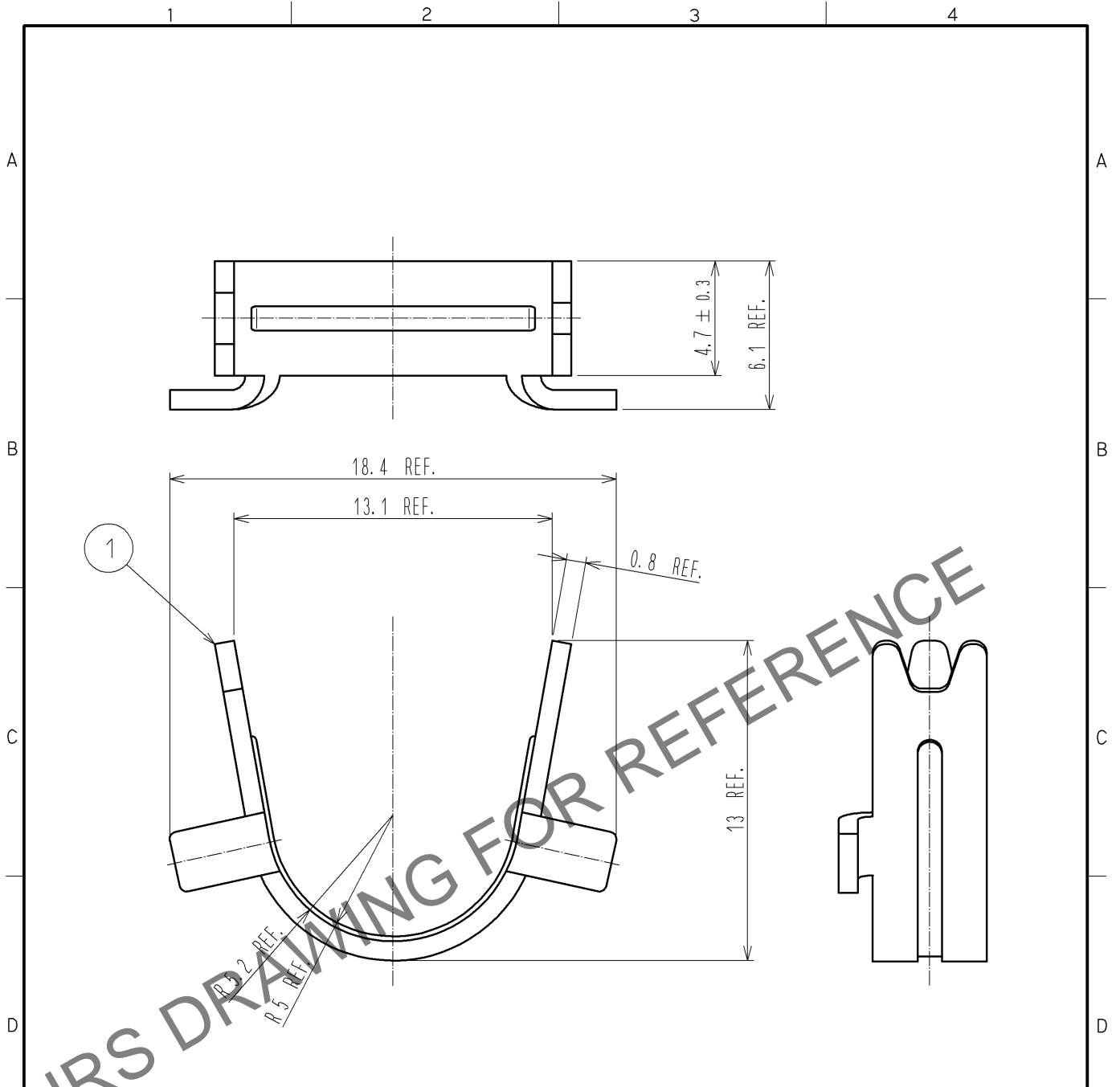


Nov.1.2024 Copyright 2024 HIROSE ELECTRIC CO., LTD. All Rights Reserved.
 In case of consideration for using Automotive equipment / device which demand high reliability, kindly contact our sales window correspondents.



- NOTE 1. THIS PRODUCT IS A CLAMP FOR A COVER CASE 'DH-51-C**B'
 2. THE APPLICABLE CABLE DIAMETER IS $\phi 9.6$
 ⚠ 3. THIS PRODUCT IS PACKED IN A BAG.
 (QUANTITY PER BAG MAY VARY DUE TO THE AMOUNT OF EACH ORDER.)

NO.		MATERIAL		FINISH . REMARKS		1		BRASS		FINISH . REMARKS	
UNITS mm		SCALE 4 : 1		COUNT 1		DESCRIPTION OF REVISIONS DIS-E-003059		DESIGNED MO. SHIMOYAMA		CHECKED KN. ICHIKAWA	
DATE 09.12.07		APPROVED : AO. SUZUKI 09.10.05		DRAWING NO. EDC4-126660-00		DESIGNED : TU. TANIGUCHI 09.10.02		PART NO. DH-51-CMB(9.6)		CODE NO. CL244-0034-3-00	
DRAWN : TU. TANIGUCHI 09.10.02		CHECKED : KN. ICHIKAWA 09.10.02		DRAWING NO. EDC4-126660-00		DESIGNED : TU. TANIGUCHI 09.10.02		PART NO. DH-51-CMB(9.6)		CODE NO. CL244-0034-3-00	