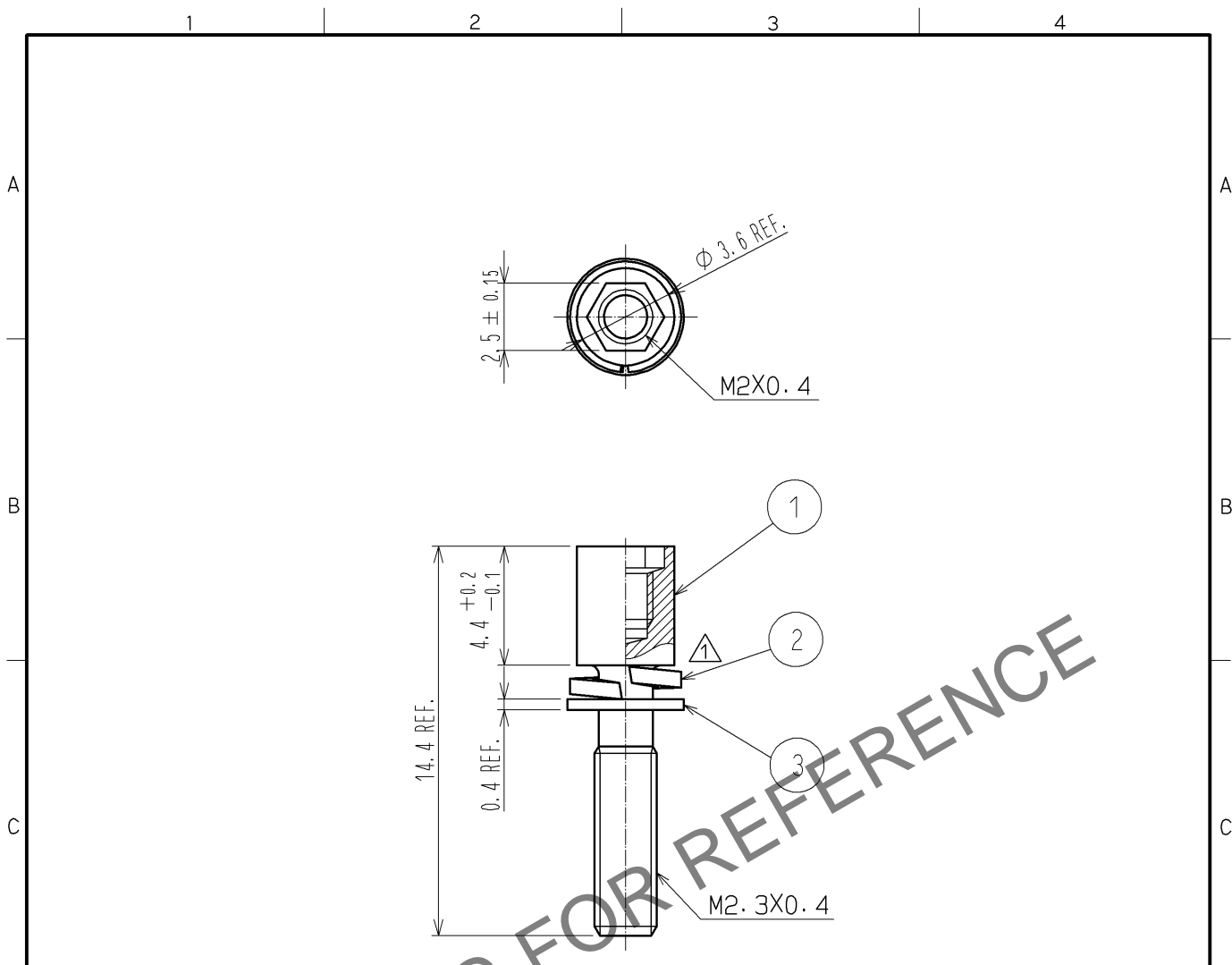
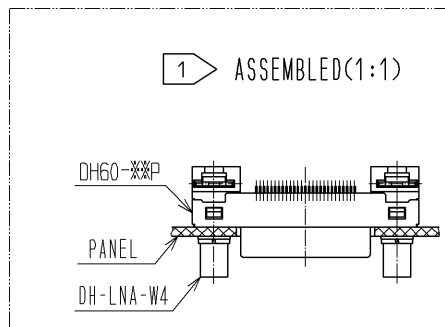


Nov.1.2024 Copyright 2024 HIROSE ELECTRIC CO., LTD. All Rights Reserved.
 In case of consideration for using Automotive equipment / device which demand high reliability, kindly contact our sales window correspondents.



HRS DRAWING FOR REFERENCE

- NOTE 1 THIS PRODUCT IS ASSEMBLED TO A *DH60-**P*.
 THE APPLICABLE PANEL THICKNESS IS FROM 0.9 TO 1.2mm.
- 2 THIS PRODUCT IS PACKED IN A BAG. (QUANTITY IN A BAG : 200pcs.)



1	STEEL	OVER PLATING : NICKEL 5μm MIN UNDER PLATING : COPPER 1μm MIN	3	STEEL	OVER PLATING : NICKEL 5μm MIN UNDER PLATING : COPPER 1μm MIN
NO.	MATERIAL	FINISH , REMARKS	NO.	MATERIAL	FINISH , REMARKS

UNITS mm		SCALE 4 : 1	COUNT 1	DESCRIPTION OF REVISIONS DIS-E-003059	DESIGNED MO. SHIMOYAMA	CHECKED KN. ICHIKAWA	DATE 09.12.07
-------------	--	----------------	------------	--	---------------------------	-------------------------	------------------

HIROSE ELECTRIC CO., LTD.	APPROVED : AO. SUZUKI	09.04.27	DRAWING NO.	EDC4-126896-00	
	CHECKED : MO. SHIMOYAMA	09.04.24	PART NO.	DH-LNA-W4	
	DESIGNED : TS. ITO	09.04.24	CODE NO.	CL244-0046-2-00	
	DRAWN : TS. ITO	09.04.24			1/1