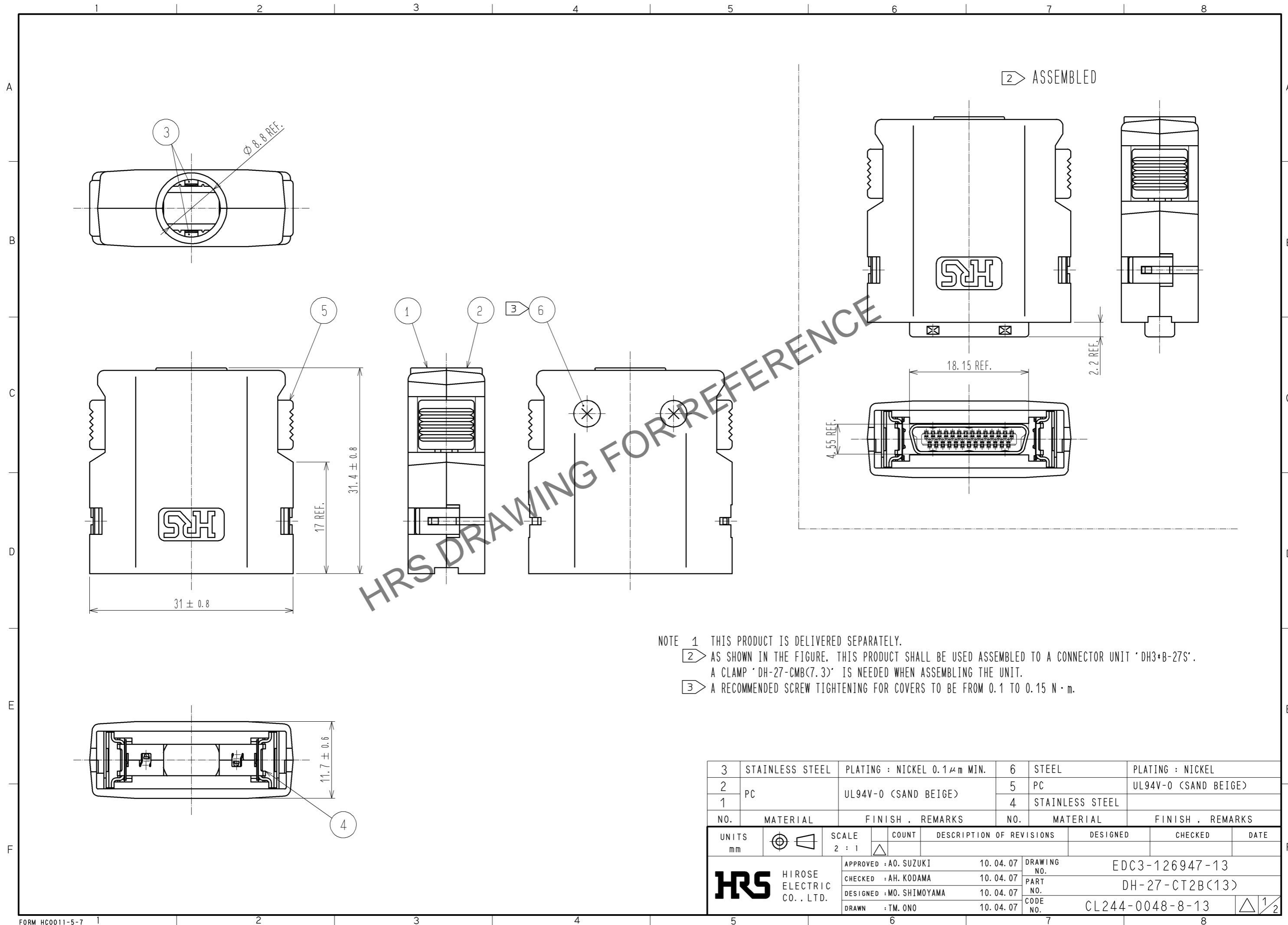


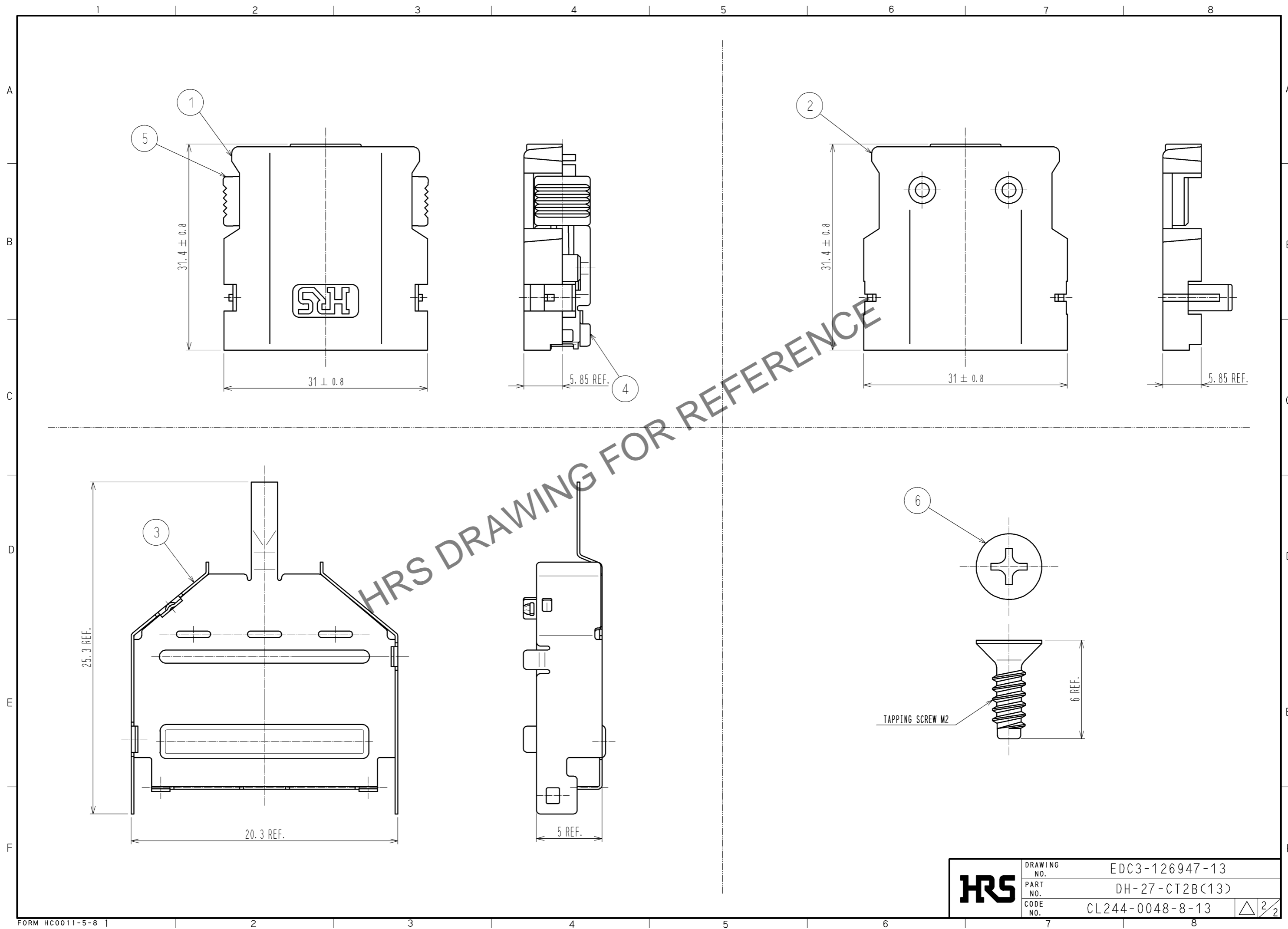
Aug.1.2024 Copyright 2024 HIROSE ELECTRIC CO., LTD. All Rights Reserved.
In case of consideration for using Automotive equipment / device which demand high reliability, kindly contact our sales window correspondents.



- NOTE 1 THIS PRODUCT IS DELIVERED SEPARATELY.
 2 AS SHOWN IN THE FIGURE, THIS PRODUCT SHALL BE USED ASSEMBLED TO A CONNECTOR UNIT 'DH3+B-27S'.
 A CLAMP 'DH-27-CMB(7.3)' IS NEEDED WHEN ASSEMBLING THE UNIT.
 3 A RECOMMENDED SCREW TIGHTENING FOR COVERS TO BE FROM 0.1 TO 0.15 N · m.

3	STAINLESS STEEL	PLATING : NICKEL 0.1 μm MIN.	6	STEEL	PLATING : NICKEL
2	PC	UL94V-0 (SAND BEIGE)	5	PC	UL94V-0 (SAND BEIGE)
1			4	STAINLESS STEEL	
NO.	MATERIAL	FINISH . REMARKS	NO.	MATERIAL	FINISH . REMARKS
UNITS mm		SCALE 2 : 1	COUNT △	DESCRIPTION OF REVISIONS	
DESIGNED		CHECKED		DATE	
APPROVED : A0. SUZUKI			10. 04. 07		
CHECKED : AH. KODAMA			10. 04. 07		
DESIGNED : MO. SHIMOYAMA			10. 04. 07		
DRAWN : TM. ONO			10. 04. 07		
DRAWING NO.				EDC3-126947-13	
PART NO.				DH-27-CT2B(13)	
CODE NO.				CL244-0048-8-13	
				△ 1/2	

Aug.1.2024 Copyright 2024 HIROSE ELECTRIC CO., LTD. All Rights Reserved.
In case of consideration for using Automotive equipment / device which demand high reliability, kindly contact our sales window correspondents.



HRS	DRAWING NO.	EDC3-126947-13
	PART NO.	DH-27-CT2B(13)
	CODE NO.	CL244-0048-8-13
		\triangle 2/2