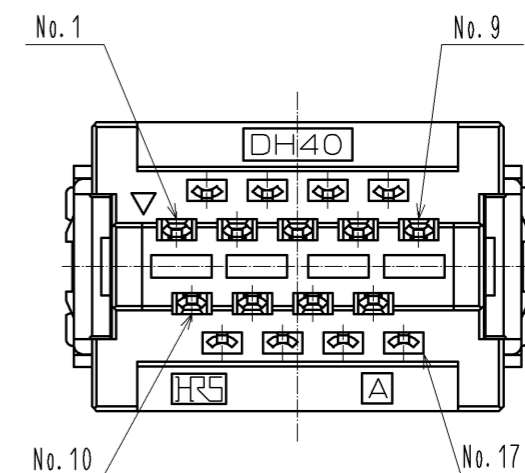
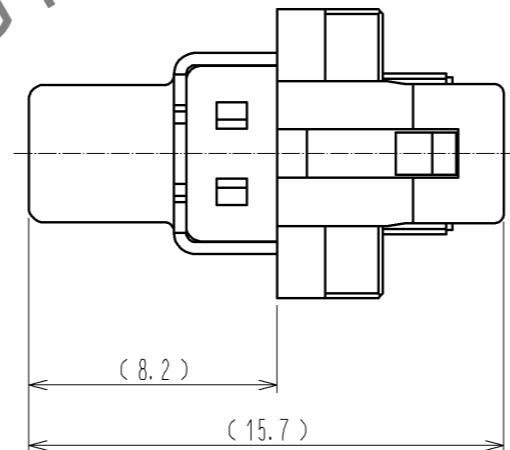
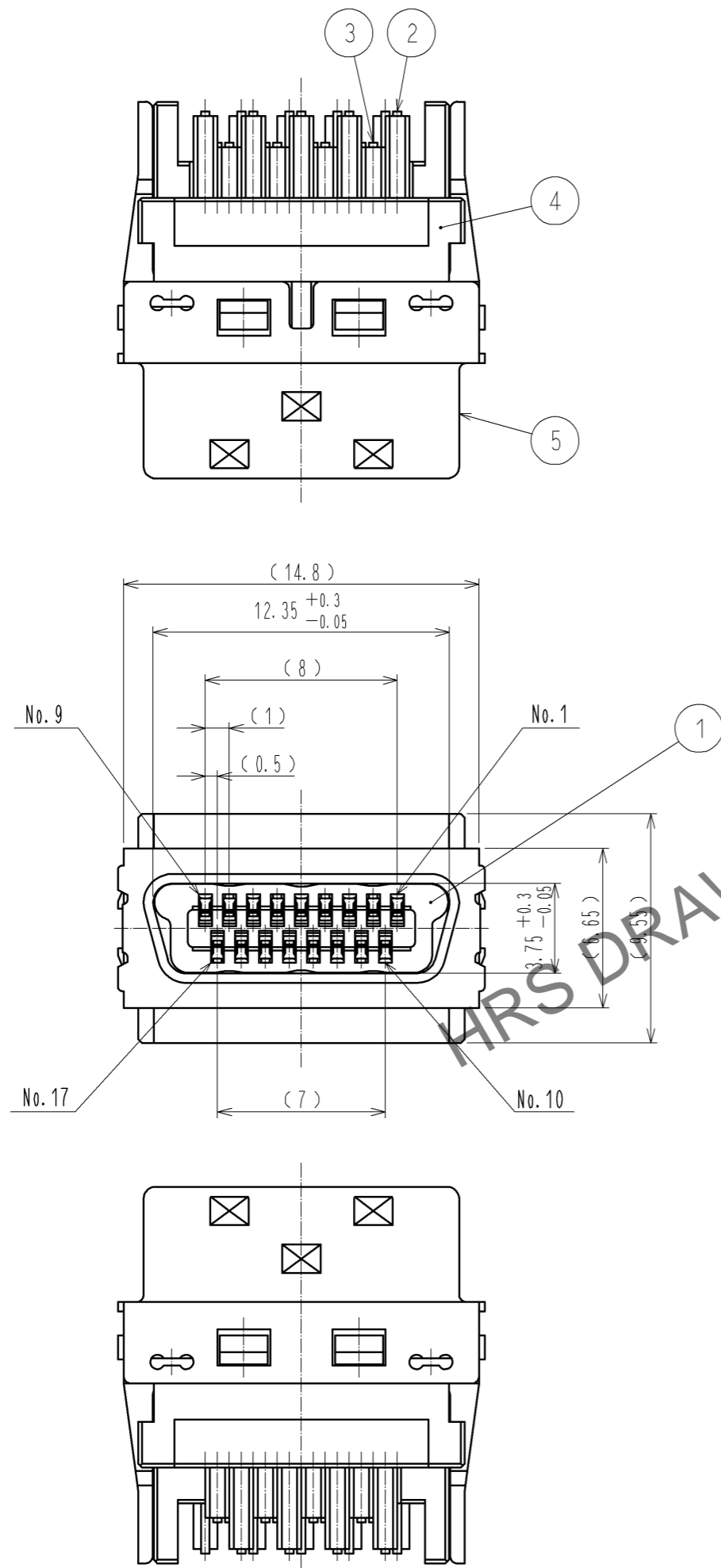


Nov.1.2024 Copyright 2024 HIROSE ELECTRIC CO., LTD. All Rights Reserved.
 In case of consideration for using Automotive equipment / device which demand high reliability, kindly contact our sales window correspondents.



NOTE 1 . THIS PRODUCT SHALL BE MATED WITH A 'DH**-17P*'.
 2 . THIS PRODUCT SHALL BE USED ASSEMBLED TO A COVER CASE 'DH-17-C***' AND A CLAMP 'DH-17-CM*(***)'.

| 3 | COPPER ALLOY | CONTACT AREA :GOLD 0.2μm MIN INSULATION DISPLACEMENT AREA:GOLD 0.03 μm MIN UNDER PLATING :NICKEL 1μm MIN | 5 | STAINLESS STEEL | PLATING:NICKEL 1μm MIN | | |
|--------------------------------------|--------------|--|----------|----------------------------|------------------------|---------|------|
| 2 | | | 4 | POLYAMID | BLACK, UL94V-0 | | |
| 1 | POLYAMID | BLACK, UL94V-0 | | | | | |
| NO. | MATERIAL | FINISH . REMARKS | NO. | MATERIAL | FINISH . REMARKS | | |
| UNITS mm | | SCALE 4 : 1 | COUNT | DESCRIPTION OF REVISIONS | DESIGNED | CHECKED | DATE |
| HRS HIROSE ELECTRIC CO., LTD. | | APPROVED : A0. SUZUKI | 10.10.06 | DRAWING NO. EDC3-127106-00 | | | |
| | | CHECKED : YH. ENAMI | 10.10.06 | PART NO. DH40-17S | | | |
| | | DESIGNED : YH. MAMADA | 10.10.01 | CODE NO. CL244-0054-0-00 | | | |
| | | DRAWN : YH. MAMADA | 10.10.01 | 1/1 | | | |