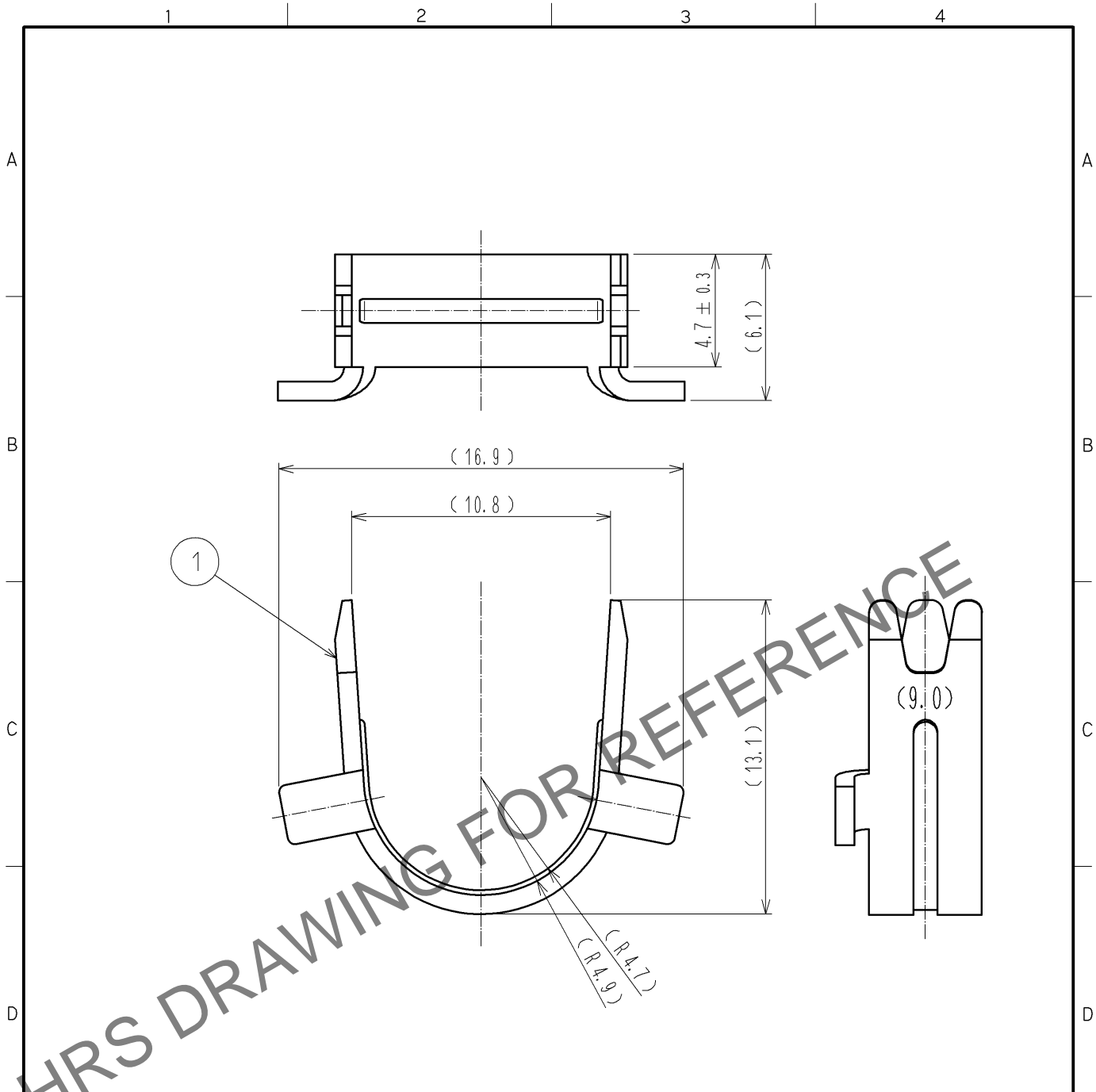


Nov.1.2024 Copyright 2024 HIROSE ELECTRIC CO., LTD. All Rights Reserved.
 In case of consideration for using Automotive equipment / device which demand high reliability, kindly contact our sales window correspondents.



NOTE 1. THIS PRODUCT IS A CLAMP FOR A COVER CASE 'DH-51-C**B'.
 2. THE APPLICABLE CABLE DIAMETER IS $\phi 9.0$.
 3. THIS PRODUCT IS PACKED IN A BAG.
 (QUANTITY PER BAG MAY VARY DUE TO THE AMOUNT OF EACH ORDER.)

NO.		MATERIAL		FINISH . REMARKS		1		BRASS		FINISH . REMARKS					
UNITS mm				SCALE 4 : 1		COUNT 		DESCRIPTION OF REVISIONS		DESIGNED		CHECKED		DATE	
HIROSE ELECTRIC CO., LTD.		APPROVED :RI. TAKAYASU		11. 09. 13		DRAWING NO.		EDC4-127677-00							
		CHECKED :YH. ENAMI		11. 09. 13		PART NO.		DH-51-CMB(9.0)							
		DESIGNED :YH. MAMADA		11. 09. 09		CODE NO.		CL244-0066-0-00							
		DRAWN :YH. MAMADA		11. 09. 09						1/1					