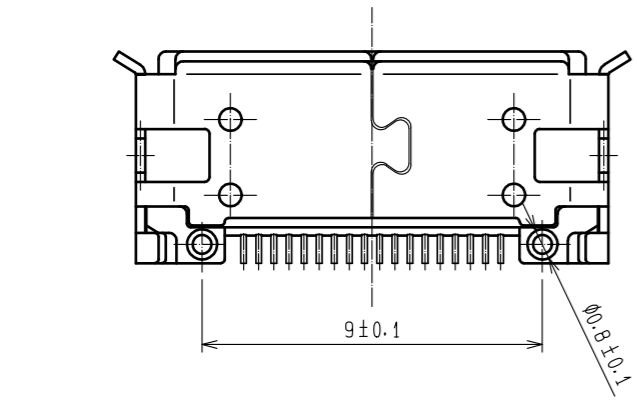
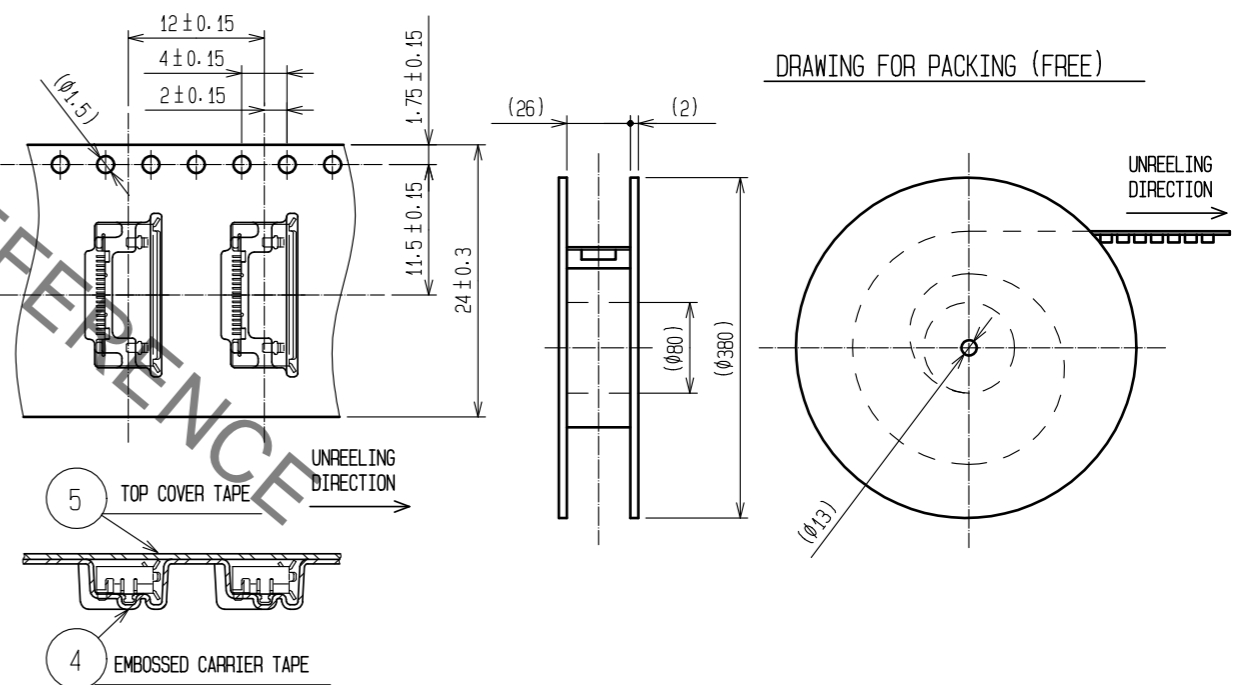
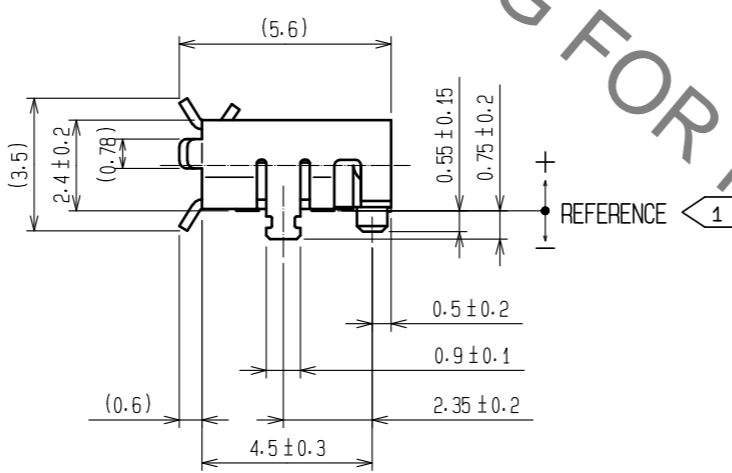
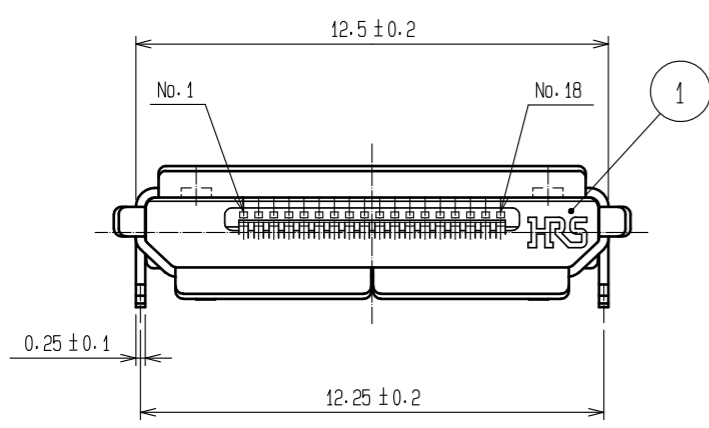
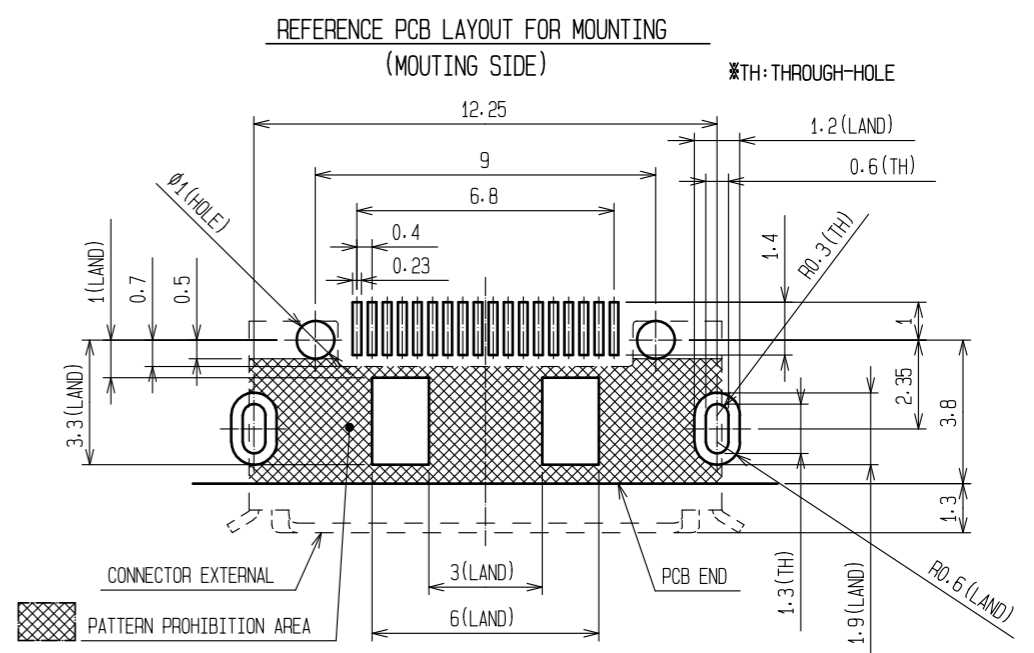
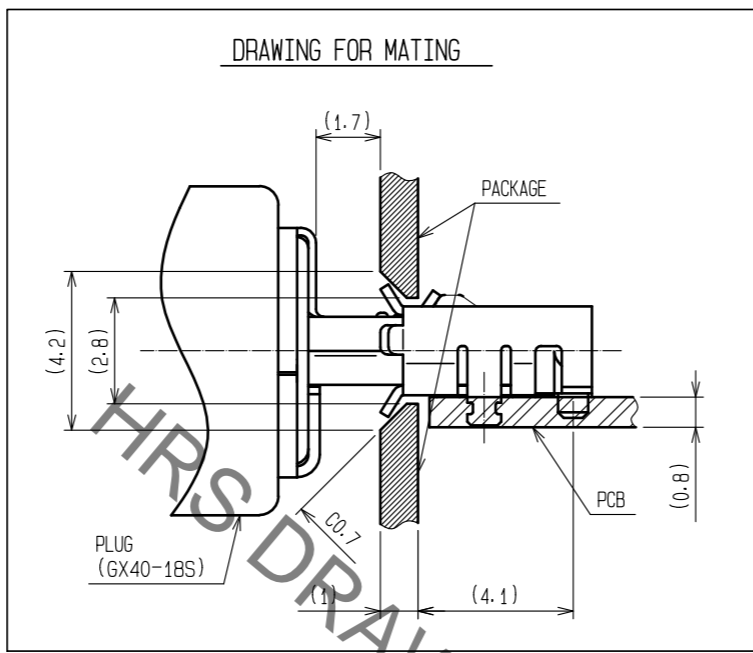
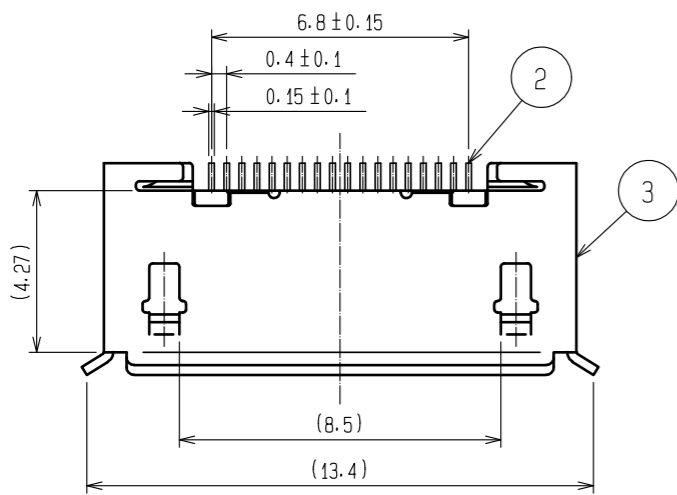


May.1.2022 Copyright 2022 HIROSE ELECTRIC CO., LTD. All Rights Reserved.
 In case of consideration for using Automotive equipment / device which demand high reliability, kindly contact our sales window correspondents.



- NOTES
- 1 LEAD POSITION TO BE +0.05~-0.1.
LEAD CO-PONARITY TO BE 0.1 max.
 - 2 ONE REEL INCLUDES 1500PCS OF PRODUCTS.
 - 3 CONTACT-AREA GOLD 0.2μm min.
LEAD-AREA GOLD 0.03μm min.
UNDER-PLATING NICKEL 2μm min.
 - 4 MOUNTING-AREA GOLD 0.03μm min.
UNDER-PLATING NICKEL 0.2μm min.

2	COPPER ALLOY	3	5	PS	TOP COVER TAPE			
1	LCP	COLOR:BLACK . UL94V-0	4	PS	EMBOSSED CARRIER TAPE			
			3	STAINLESS STEEL	4			
NO.	MATERIAL	FINISH . REMARKS	NO.	MATERIAL	FINISH . REMARKS			
UNITS	mm	SCALE	5 : 1	COUNT	DESCRIPTION OF REVISIONS	DESIGNED	CHECKED	DATE
HRS		HIROSE ELECTRIC CO., LTD.	APPROVED	: NM. NISHIMATSU	15. 10. 27	DRAWING NO. EDC-125502-30-00		
			CHECKED	: KN. ICHIKAWA	15. 10. 27	PART NO. GX60-18P(30)		
			DESIGNED	: TS. ITO	15. 10. 27	CODE NO. CL247-0001-3-30		
			DRAWN	: AK. AKIYAMA	15. 10. 27	1/1		