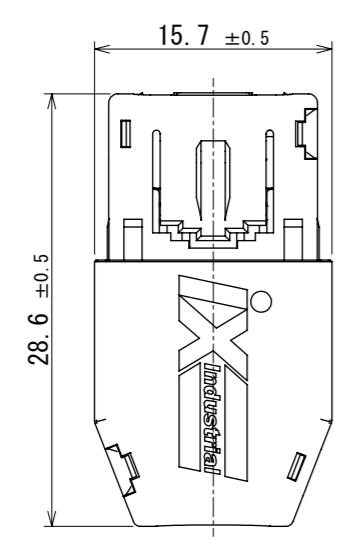
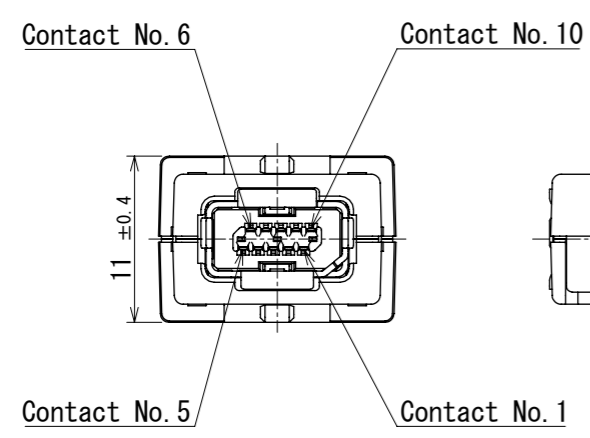
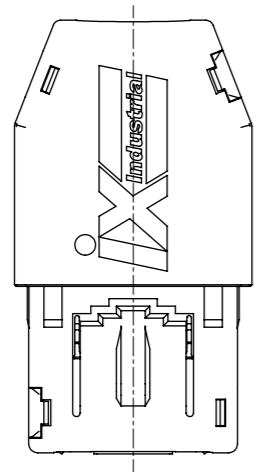
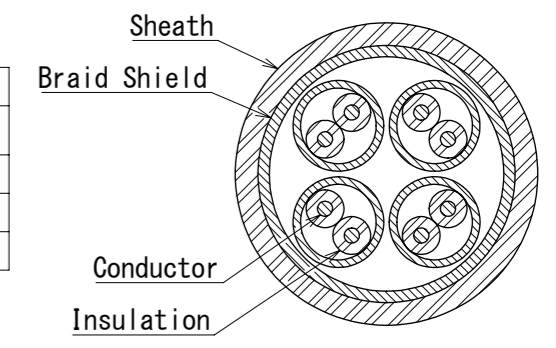


Jun.1.2024 Copyright 2024 HIROSE ELECTRIC CO., LTD. All Rights Reserved.  
 In case of consideration for using Automotive equipment / device which demand high reliability, kindly contact our sales window correspondents.



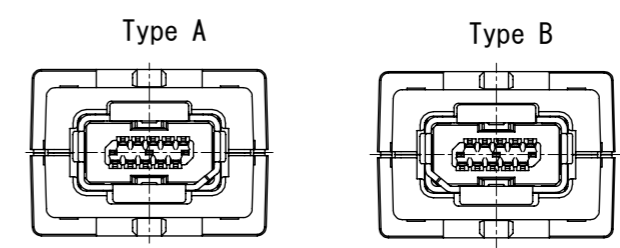
Notes. 1. Recommended cable condition is shown below.  
 A list of compatible cables is available on the Hirose website.  
 When using a non-recommended cable, please contact a Hirose sales representative.  
 Refer to the technical specification(ETAD-E3234-00) for wiring and assembly procedures.

Items	Recommended Condition
Conductor size	AWG # 28-22
Insulation O.D.	Φ1.55mm Max.
Braid Shield	Tin plating
Sheath O.D.	Φ6.3-7.2mm



2 This product(Type A) is defined for 10/100 Mbit/s and 1/10Gbit/s Ethernet communication. Please use Type B for all other non Ethernet applications like signaling, serial or other industrial bus communication systems.

Mating Key



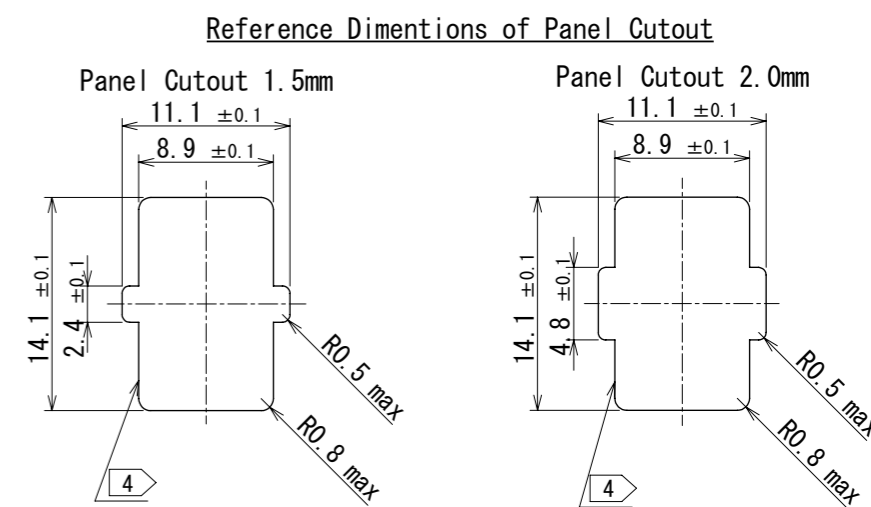
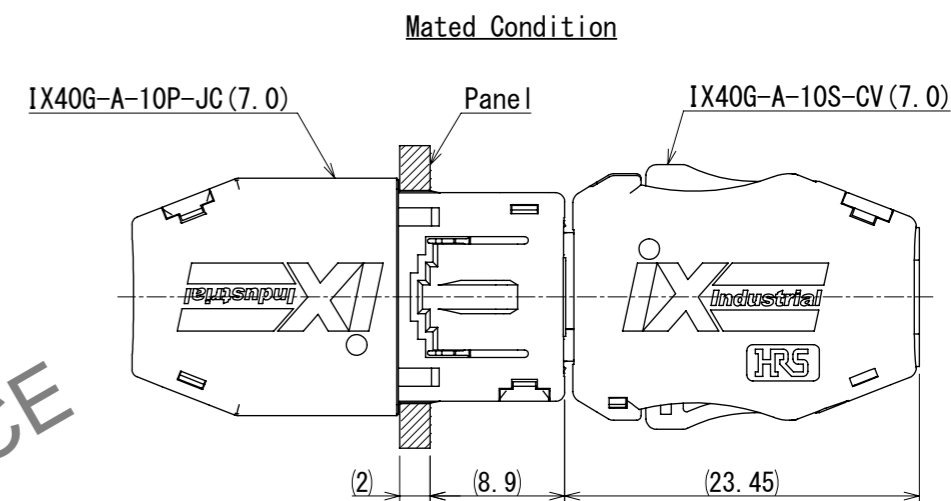
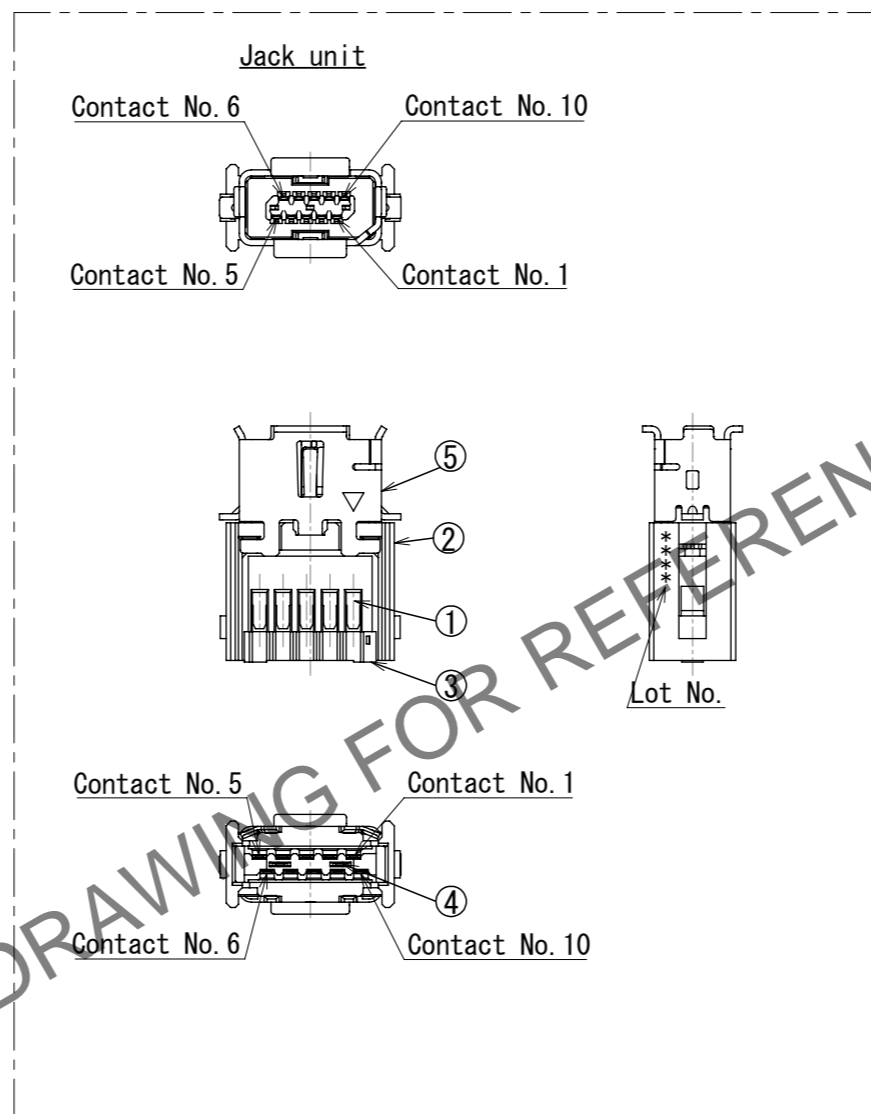
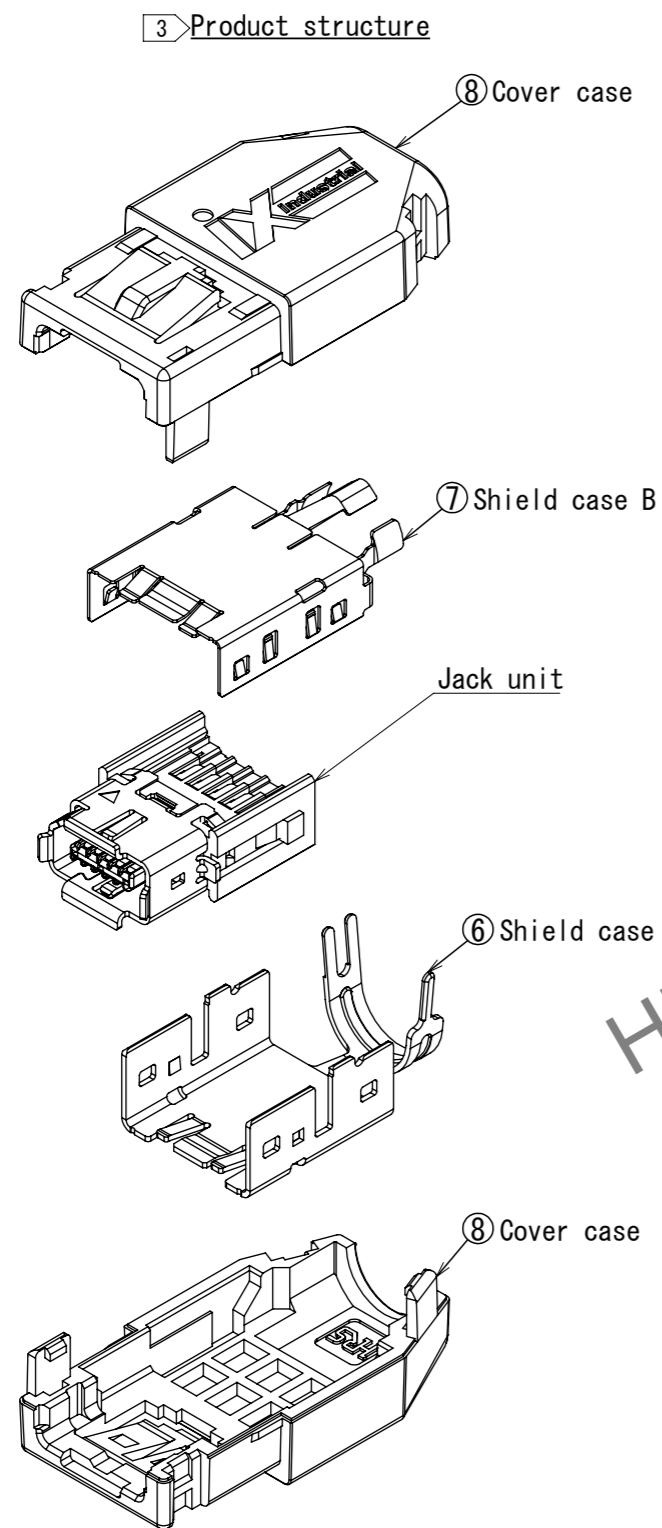
3 3 Excluding the jack unit, this product is packed separately by the types of parts.

3 2 Pin Assignment for 10/100 Mbit/s and 1/10 Gbit/s Ethernet

Contact No.	Signal	
	10/100Mbit/s	1/10Gbit/s
1	TX+	BI_DA+
2	TX-	BI_DA-
3	N.C	GND
4	N.C	BI_DC+
5	N.C	BI_DC-
6	RX+	BI_DB+
7	RX-	BI_DB-
8	N.C	GND
9	N.C	BI_DD+
10	N.C	BI_DD-

3	PA	Black, UL94V-0	8	PC	Dark gray, UL94V-0			
2	PA	Black, UL94V-0	7	Stainless Steel	Nickel 1μm min			
1	Copper Alloy	Contact area : Gold 0.2μm min	6	Stainless Steel	Nickel 1μm min			
		Wiring area : Gold 0.03μm min	5	Stainless Steel	Nickel 0.2μm min			
		Under plating : Nickel 2μm min	4	Stainless Steel				
NO.	MATERIAL	FINISH	REMARKS	NO.	MATERIAL	FINISH	REMARKS	
UNITS		SCALE	COUNT	DESCRIPTION OF REVISIONS		DESIGNED	CHECKED	DATE
mm		2:1	3 2	DIS-E-00011741		SN. TOYOSHIMA	KI. KAGOTANI	2022. 11. 23
<b>HRS</b> HIROSE ELECTRIC CO., LTD.		APPROVED : MN. KENJO	2021. 08. 17	DRAWING NO.		EDC-395607-00-00		
		CHECKED : KI. KAGOTANI	2021. 08. 17	PART NO.		IX40G-A-10P-JC (7. 0)		
		DESIGNED : TS. ITO	2021. 08. 12	CODE NO.		CL0251-0109-0-00		
		DRAWN : TS. ITO	2021. 08. 12					

Jun.1.2024 Copyright 2024 HIROSE ELECTRIC CO., LTD. All Rights Reserved.  
In case of consideration for using Automotive equipment / device which demand high reliability, kindly contact our sales window correspondents.



4 To prevent shaving, please add a chamfer of 0.1 on the periphery as shown in the above figure with the bold line.  
The number of insertions to the panel is up to 10 times.

<b>HRS</b>	DRAWING NO.	EDC-395607-00-00	2/2
	PART NO.	IX40G-A-10P-JC (7.0)	
	CODE NO.	CL0251-0109-0-00	