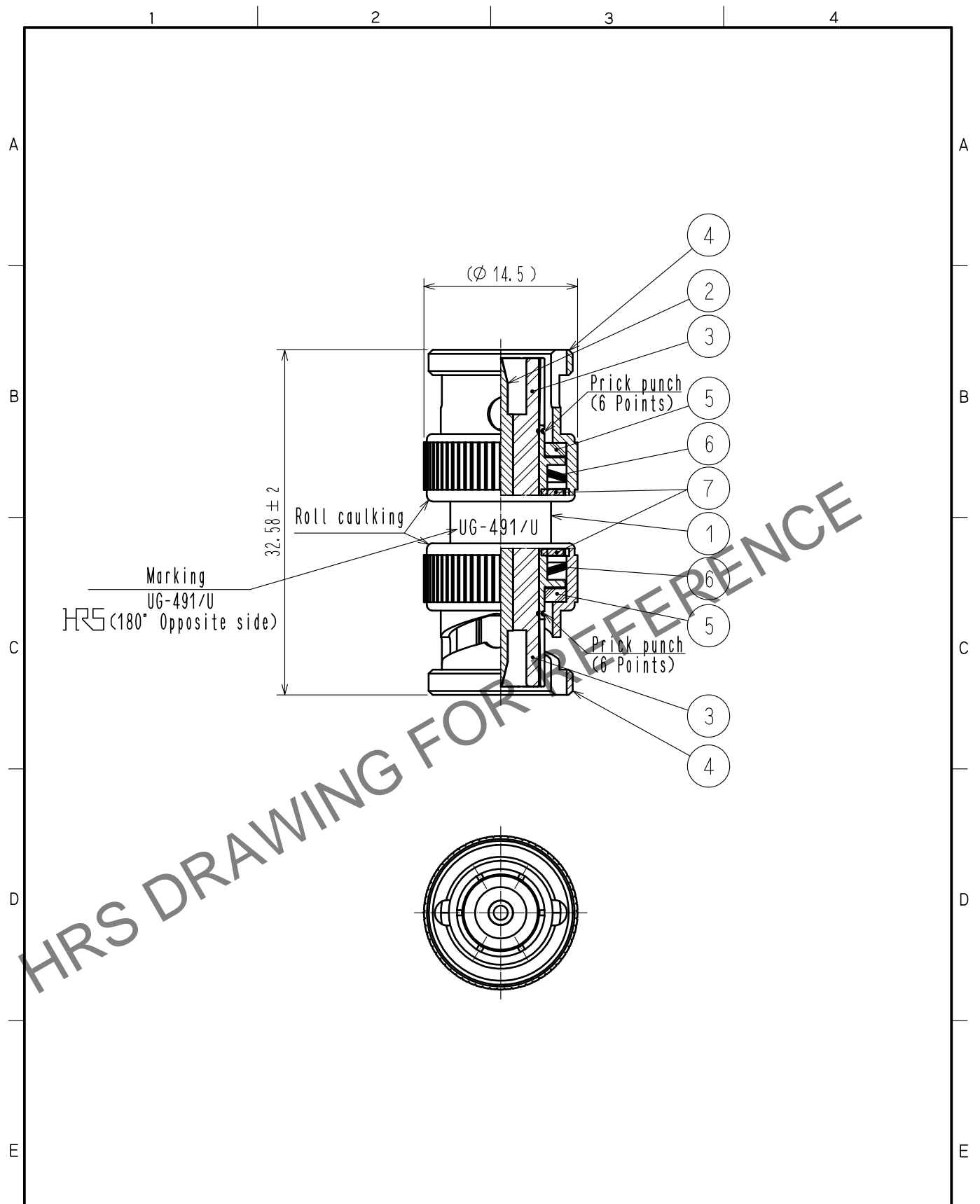


Jun.1.2024 Copyright 2024 HIROSE ELECTRIC CO., LTD. All Rights Reserved.
 In case of consideration for using Automotive equipment / device which demand high reliability, kindly contact our sales window correspondents.



4	BRASS	NICKEL PLATING							
3	PTFE		7	BRASS	NICKEL PLATING				
2	BRASS	GOLD PLATING	6	BERYLLIUM COPPER	SILVER PLATING				
1	BRASS	NICKEL PLATING	5	SILICONE RUBBER					
NO.	MATERIAL	FINISH .	REMARKS	NO.	MATERIAL	FINISH .	REMARKS		
UNITS mm		SCALE 2 : 1	COUNT 	DESCRIPTION OF REVISIONS		DESIGNED	CHECKED	DATE	
HIROSE ELECTRIC CO., LTD.		APPROVED	·NK. NINOMIYA	20211008	DRAWING NO.	EDC-000707-41-00			
		CHECKED	·NK. NINOMIYA	20211008	PART NO.	UG-491/U(41)			
		DESIGNED	·MT. KANEKO	20211008	CODE NO.	CL0302-0022-0-41			
		DRAWN	·NK. OOSHIMA	20211008					1/1