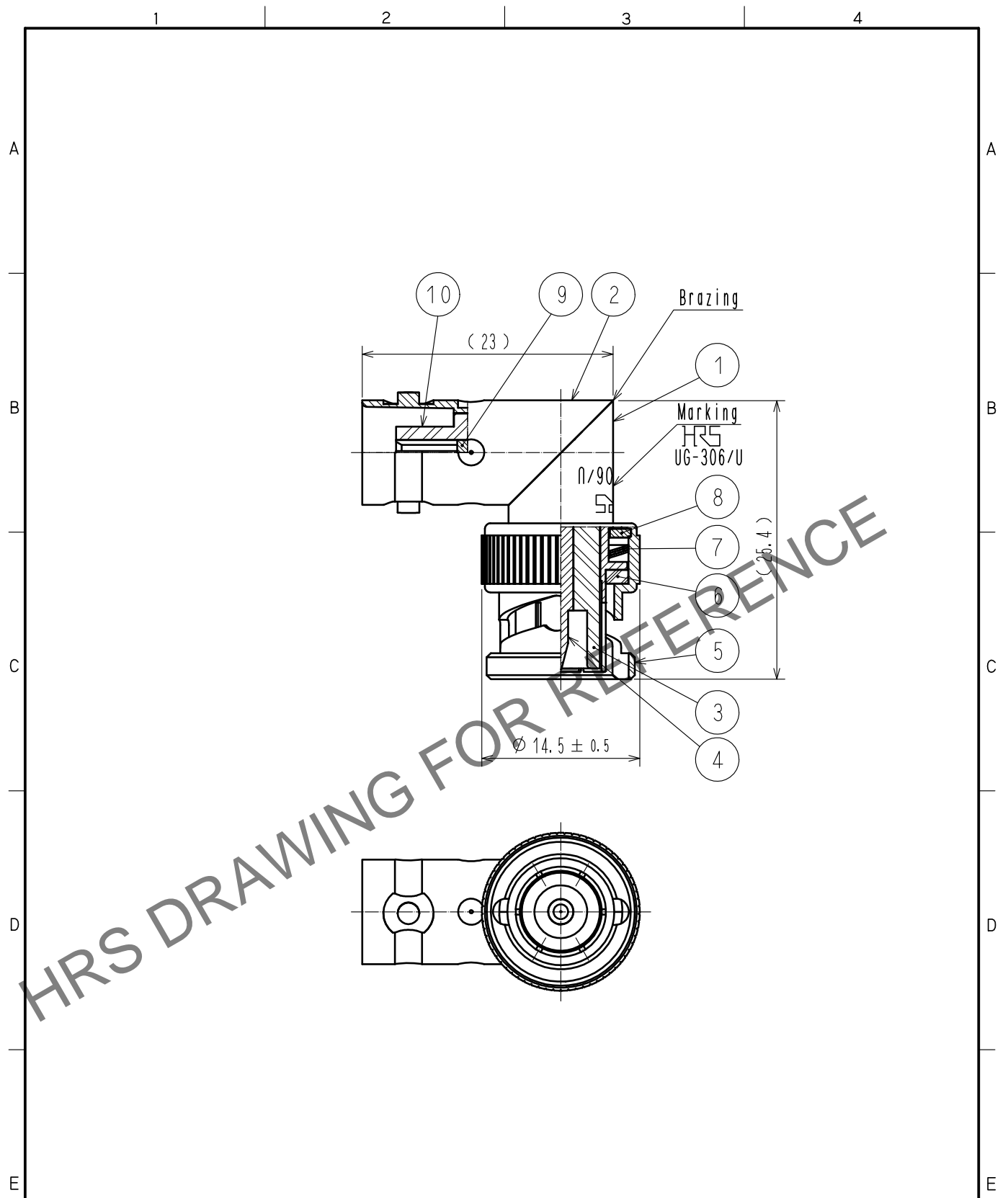


Jun.1.2024 Copyright 2024 HIROSE ELECTRIC CO., LTD. All Rights Reserved.  
In case of consideration for using Automotive equipment / device which demand high reliability, kindly contact our sales window correspondents.



HRS DRAWING FOR REFERENCE

5	BRASS	NICKEL PLATING	10	PTFE	
4	BRASS	GOLD PLATING	9	BERYLLIUM COPPER	GOLD PLATING
3	PTFE		8	BRASS	NICKEL PLATING
2	BRASS	NICKEL PLATING	7	BERYLLIUM COPPER	SILVER PLATING
1	BRASS	NICKEL PLATING	6	SILICONE RUBBER	
NO.	MATERIAL	FINISH . REMARKS	NO.	MATERIAL	FINISH . REMARKS

UNITS mm		SCALE 2 : 1	COUNT 	DESCRIPTION OF REVISIONS	DESIGNED	CHECKED	DATE
HIROSE ELECTRIC CO., LTD.		APPROVED : NK. NINOMIYA      20211012		DRAWING NO.      EDC-000313-41-00			
		CHECKED : NK. NINOMIYA      20211012		PART NO.      UG-306/U(41)			
		DESIGNED : MT. KANEKO      20211012		CODE NO.      CL0302-0023-3-41			
		DRAWN : NK. OOSHIMA      20211012		1/1			