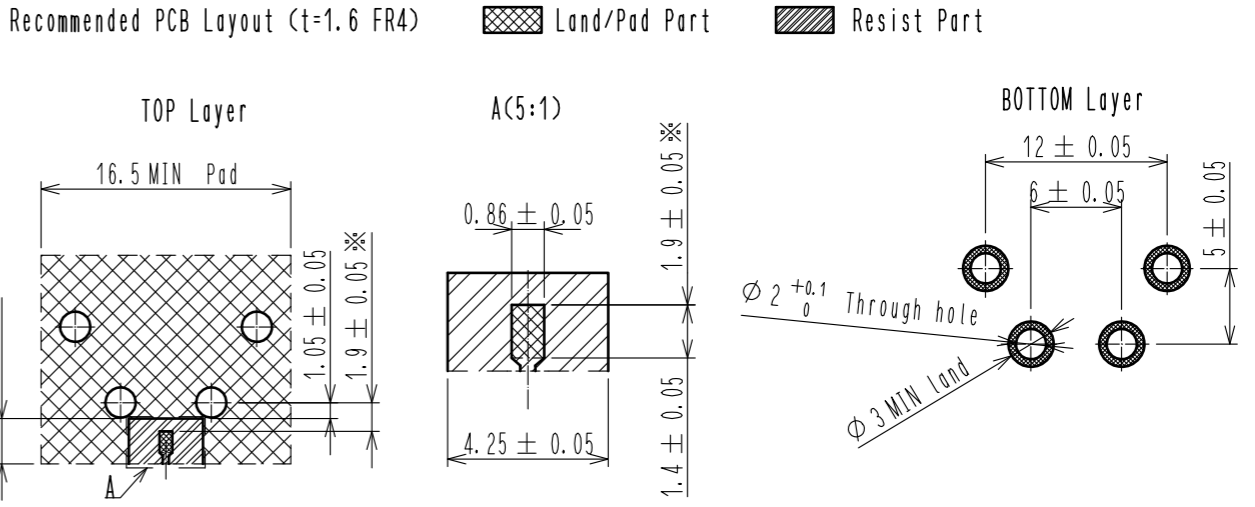
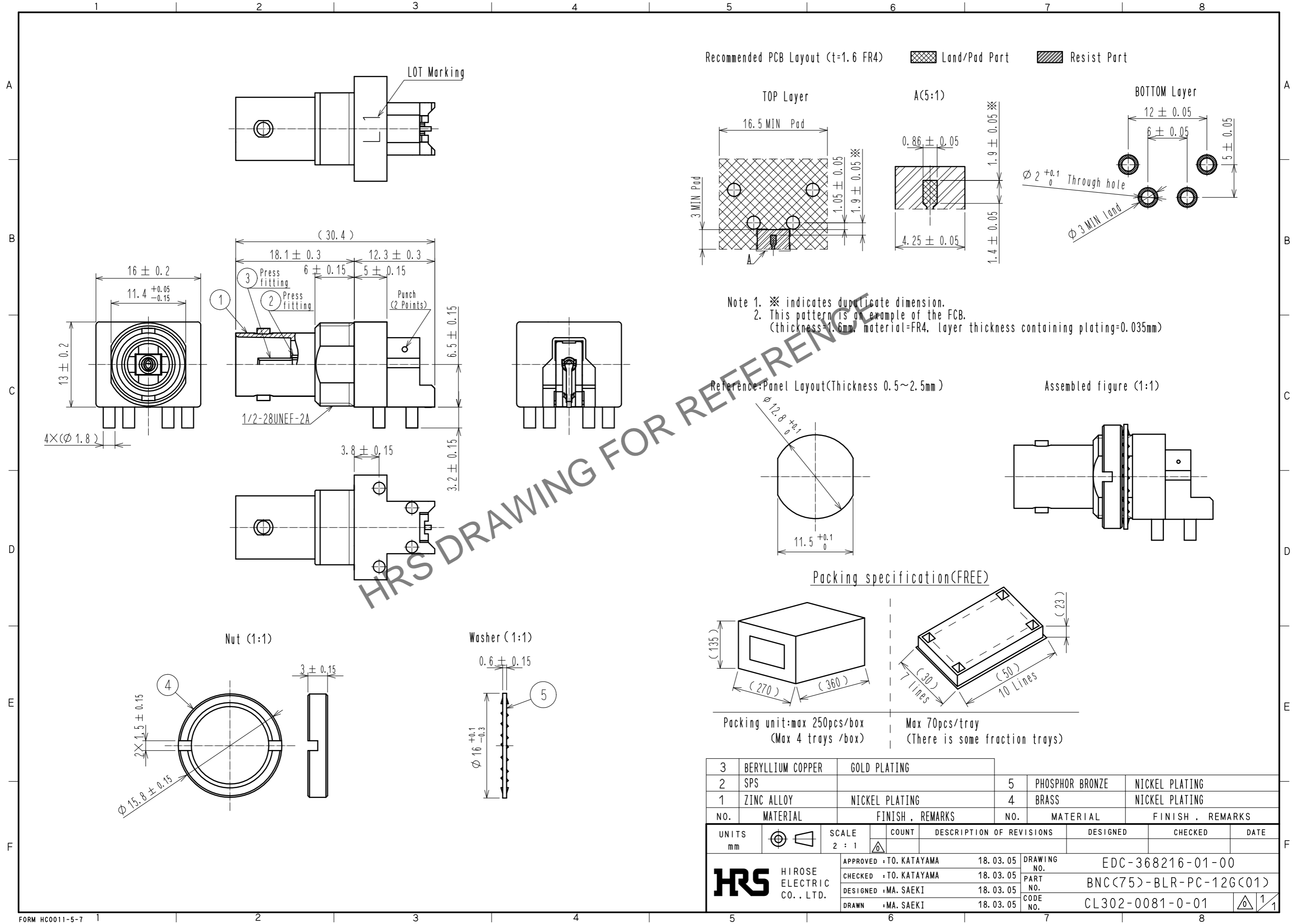


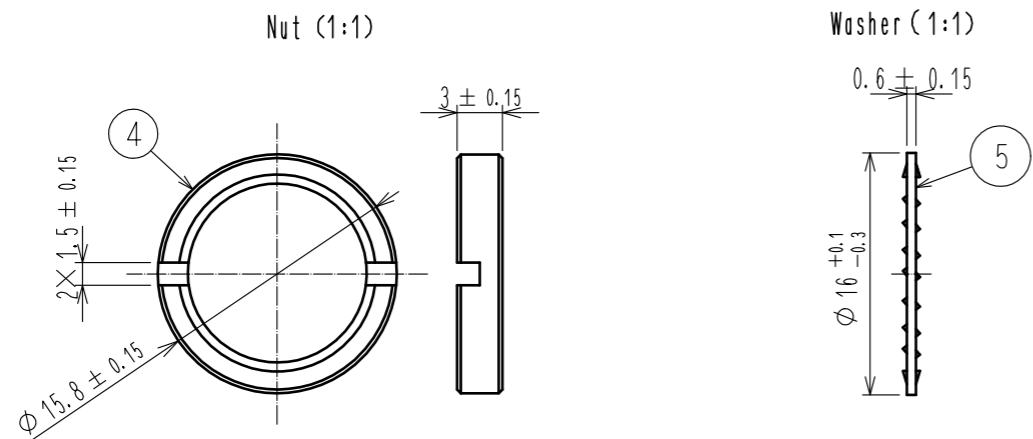
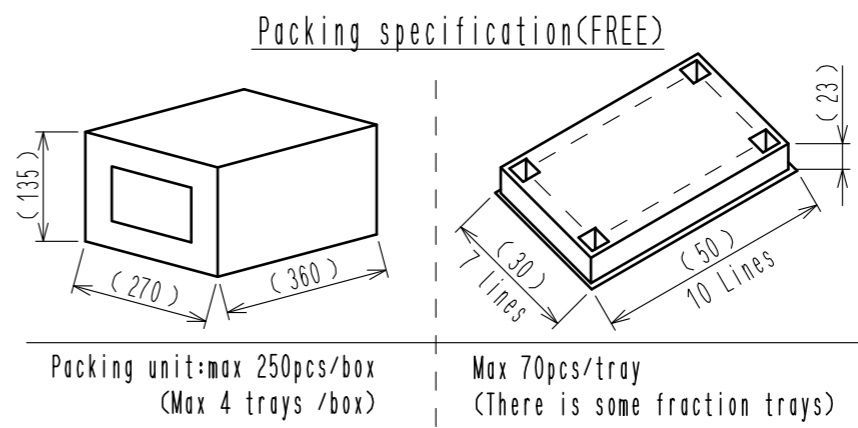
May.1.2024 Copyright 2024 HIROSE ELECTRIC CO., LTD. All Rights Reserved.  
 In case of consideration for using Automotive equipment / device which demand high reliability, kindly contact our sales window correspondents.



Note 1. ※ indicates duplicate dimension.  
 2. This pattern is an example of the FCB.  
 (thickness=1.6mm, material=FR4, layer thickness containing plating=0.035mm)

Reference: Panel Layout (Thickness 0.5~2.5mm)

Assembled figure (1:1)



3	BERYLLIUM COPPER	GOLD PLATING	5	PHOSPHOR BRONZE	NICKEL PLATING			
2	SPS		4	BRASS	NICKEL PLATING			
1	ZINC ALLOY	NICKEL PLATING						
NO.	MATERIAL	FINISH, REMARKS	NO.	MATERIAL	FINISH, REMARKS			
UNITS	mm	SCALE	2 : 1	COUNT	DESCRIPTION OF REVISIONS	DESIGNED	CHECKED	DATE
HRS		HIROSE ELECTRIC CO., LTD.		APPROVED	: TO. KATAYAMA	18.03.05	DRAWING NO. EDC-368216-01-00	
				CHECKED	: TO. KATAYAMA	18.03.05	PART NO. BNC(75)-BLR-PC-12G(01)	
				DESIGNED	: MA. SAEKI	18.03.05	CODE NO. CL302-0081-0-01	
				DRAWN	: MA. SAEKI	18.03.05	1/1	