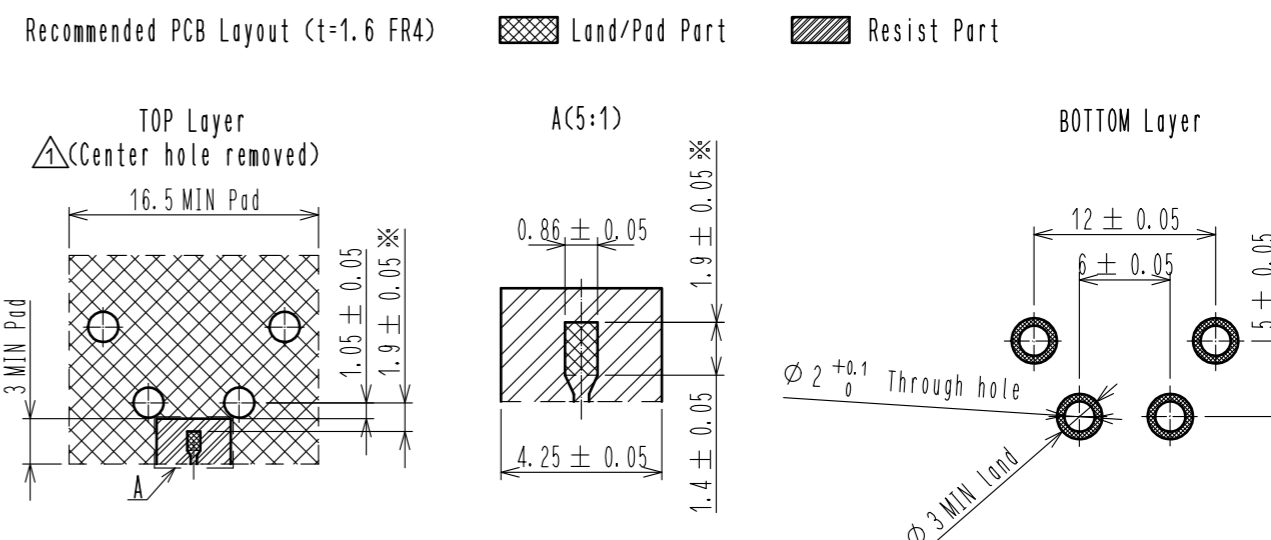
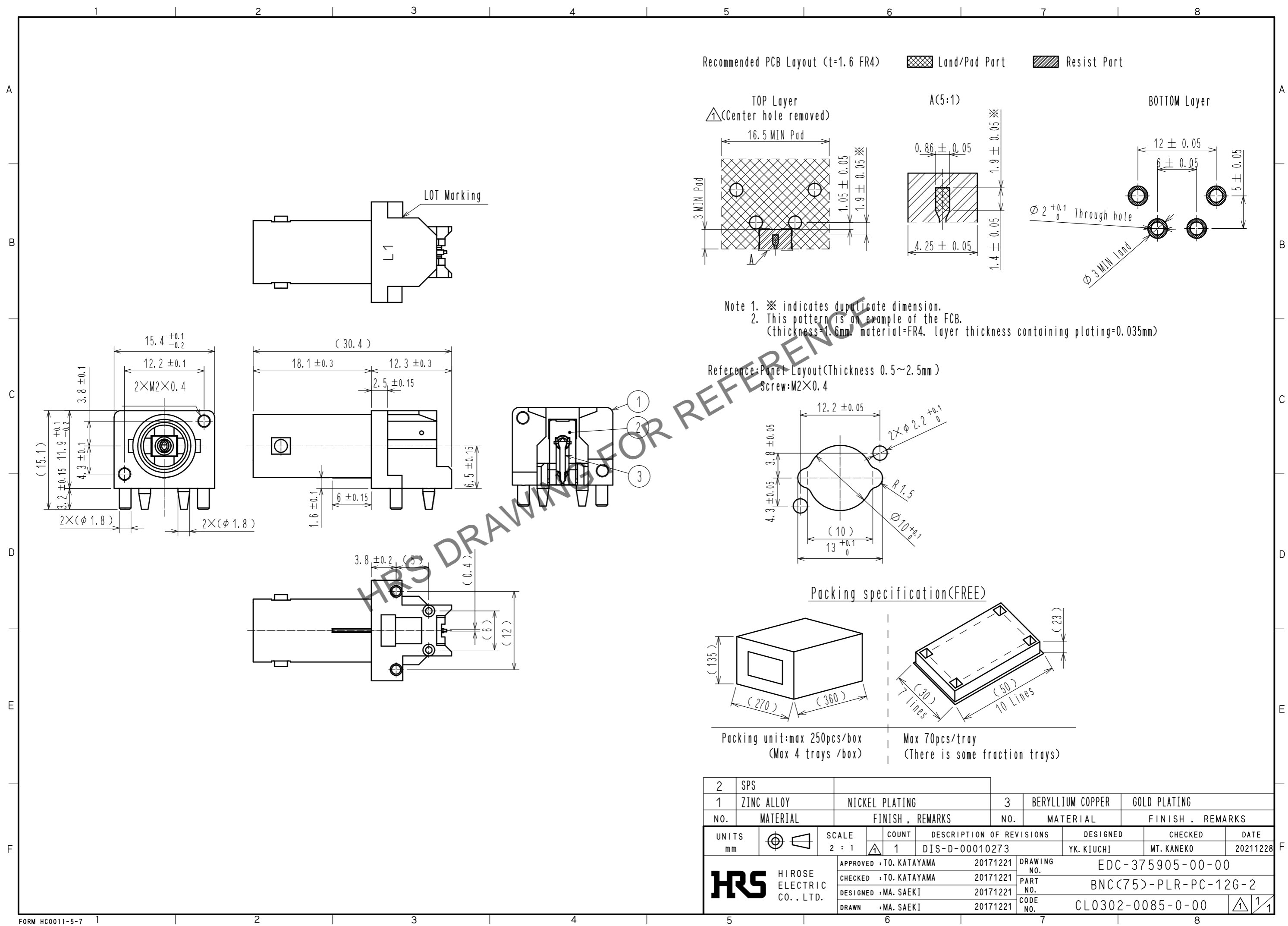
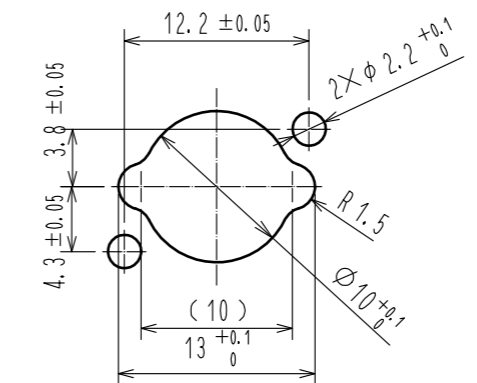


May.1.2024 Copyright 2024 HIROSE ELECTRIC CO., LTD. All Rights Reserved.
In case of consideration for using Automotive equipment / device which demand high reliability, kindly contact our sales window correspondents.

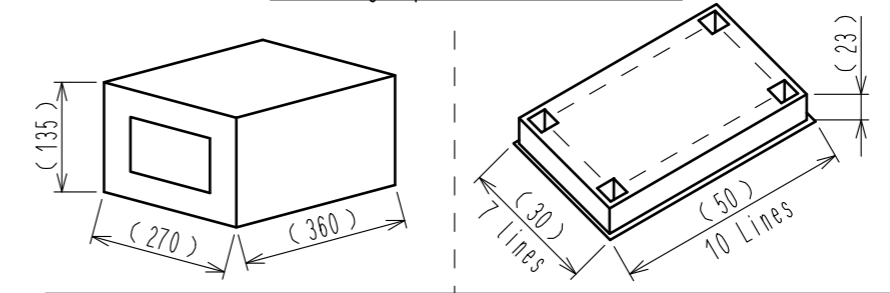


Note 1. ※ indicates duplicate dimension.
 2. This pattern is an example of the PCB.
 (thickness=1.6mm, material=FR4, layer thickness containing plating=0.035mm)

Reference: Panel Layout (Thickness 0.5~2.5mm)
 Screw: M2×0.4



Packing specification (FREE)



Packing unit: max 250pcs/box (Max 4 trays /box)
 Max 70pcs/tray (There is some fraction trays)

2	SPS						
1	ZINC ALLOY	NICKEL PLATING	3	BERYLLIUM COPPER	GOLD PLATING		
NO.	MATERIAL	FINISH, REMARKS	NO.	MATERIAL	FINISH, REMARKS		
UNITS	mm	SCALE	COUNT	DESCRIPTION OF REVISIONS		DESIGNED	CHECKED
		2 : 1	1	DIS-D-00010273		YK. KIUCHI	MT. KANEKO
APPROVED : TO. KATAYAMA		20171221		DRAWING NO.		EDC-375905-00-00	
CHECKED : TO. KATAYAMA		20171221		PART NO.		BNC(75)-PLR-PC-12G-2	
DESIGNED : MA. SAEKI		20171221		CODE NO.		CL0302-0085-0-00	
DRAWN : MA. SAEKI		20171221				1/1	