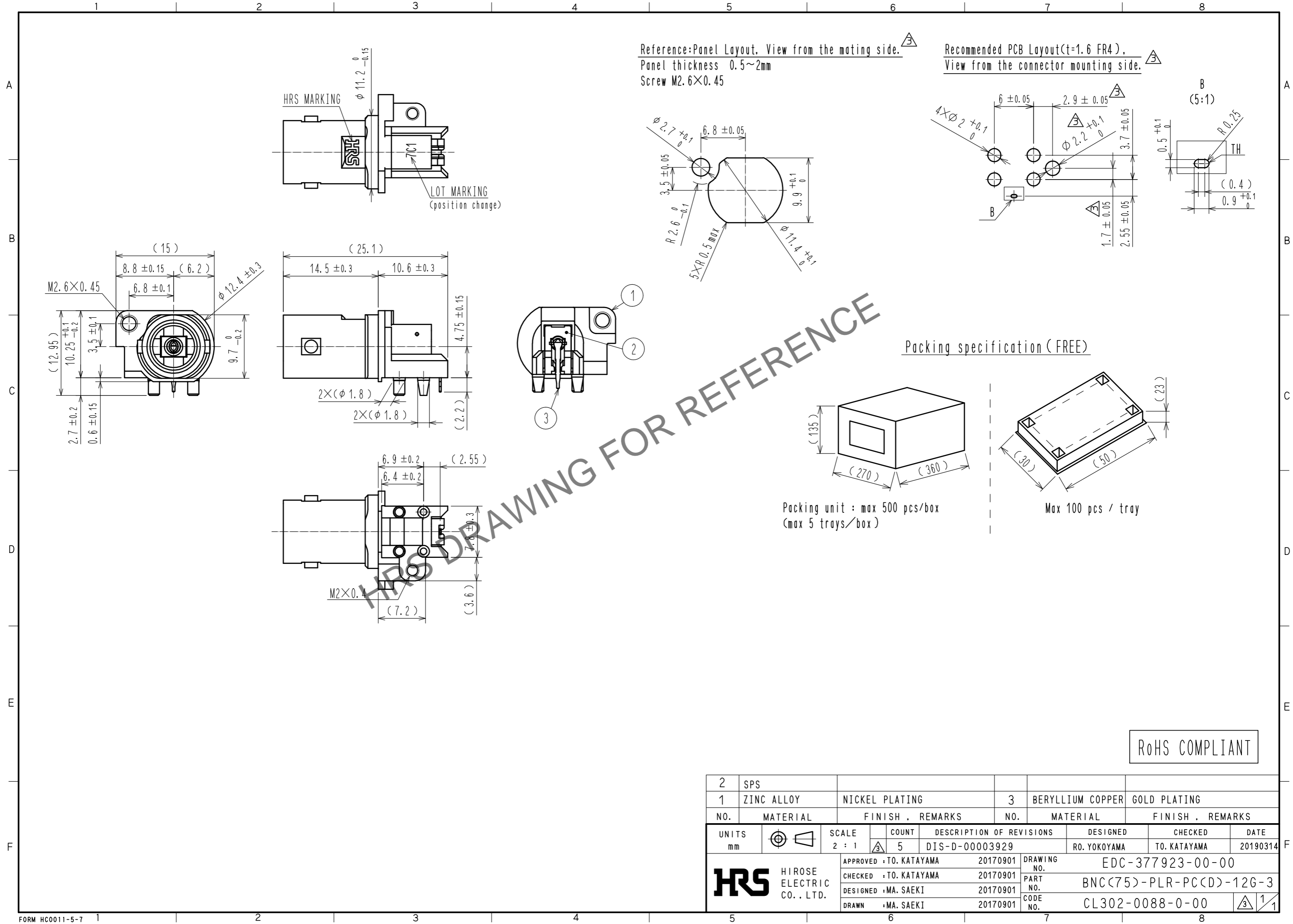


May.1.2024 Copyright 2024 HIROSE ELECTRIC CO., LTD. All Rights Reserved.
In case of consideration for using Automotive equipment / device which demand high reliability, kindly contact our sales window correspondents.



2	SPS				
1	ZINC ALLOY	NICKEL PLATING	3	BERYLLIUM COPPER	GOLD PLATING
NO.	MATERIAL	FINISH . REMARKS	NO.	MATERIAL	FINISH . REMARKS
UNITS mm		SCALE 2 : 1	COUNT 5	DESCRIPTION OF REVISIONS DIS-D-00003929	DESIGNED RO. YOKOYAMA
					CHECKED TO. KATAYAMA
					DATE 20190314
HRS	HIROSE ELECTRIC CO., LTD.	APPROVED : TO. KATAYAMA	20170901	DRAWING NO.	EDC-377923-00-00
		CHECKED : TO. KATAYAMA	20170901	PART NO.	BNC(75)-PLR-PC(D)-12G-3
		DESIGNED : MA. SAEKI	20170901	CODE NO.	CL302-0088-0-00
		DRAWN : MA. SAEKI	20170901		