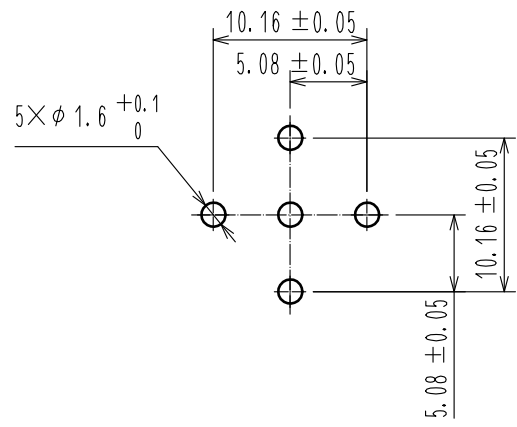
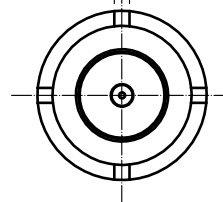
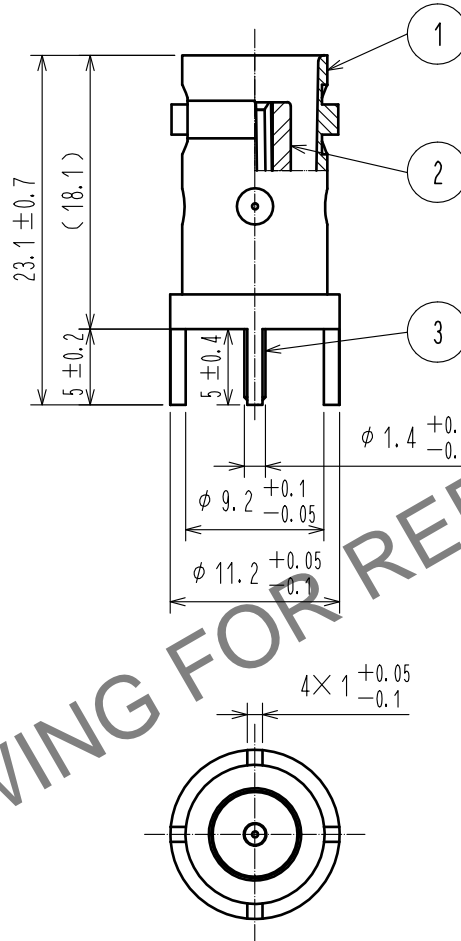


Mar.1.2025 Copyright 2025 HIROSE ELECTRIC CO., LTD. All Rights Reserved.
 In case of consideration for using Automotive equipment / device which demand high reliability, kindly contact our sales window correspondents.

Redraw



Recommended PC board hole pattern

RoHS COMPLIANT

2	PTFE		3	BERYLLIUM COPPER	GOLD PLATING		
1	BRASS	NICKEL PLATING					
NO.	MATERIAL	FINISH, REMARKS	NO.	MATERIAL	FINISH, REMARKS		
UNITS mm		SCALE 2 : 1	COUNT 1	DESCRIPTION OF REVISIONS DIS-D-00002532	DESIGNED YI. FUNADA	CHECKED TO. KATAYAMA	DATE 17.10.23
HRS HIROSE ELECTRIC CO., LTD.	APPROVED	:MH. YAMANE	07.11.09	DRAWING NO.	EDC4-009060-41		
	CHECKED	:TS. NOBE	07.11.08	PART NO.	BNC-R-PC(41)		
	DESIGNED	:HS. TAKEUCHI	07.11.08	CODE NO.	CL302-0241-4-41	1/1	
	DRAWN	:HS. TAKEUCHI	07.11.08				