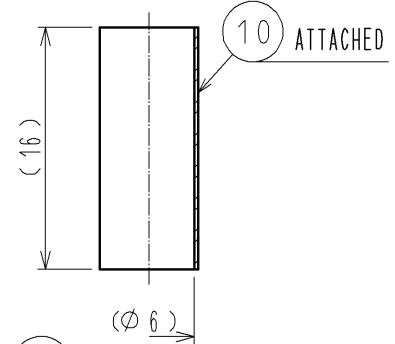
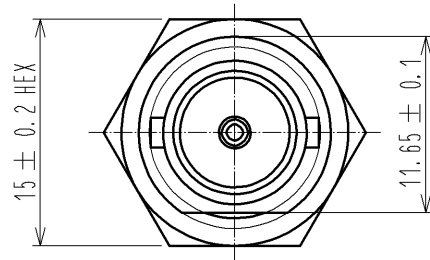
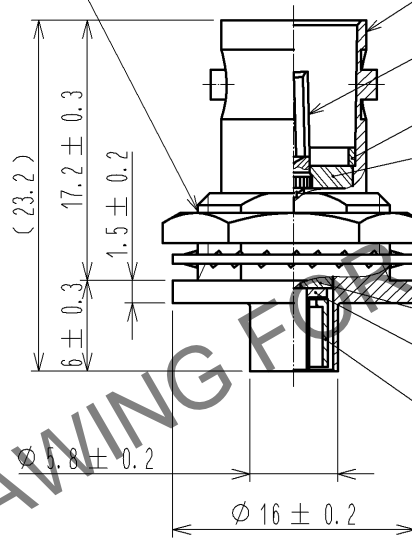


May.1.2024 Copyright 2024 HIROSE ELECTRIC CO., LTD. All Rights Reserved.
 In case of consideration for using Automotive equipment / device which demand high reliability, kindly contact our sales window correspondents.

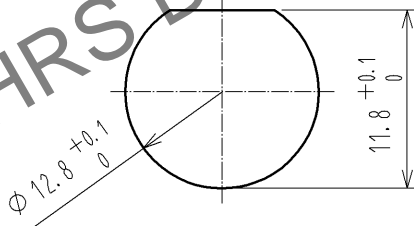
CABLE ASSEMBLY TOOL
 OUTER CONDUCTOR : P073-T-4



1/2-28UNEF-2A



- ①
- ④ PRESS FITTING, ATTACHED
- ③ PRESS FITTING
- ②
- ⑧ ATTACHED
- ⑨ ATTACHED
- ⑤ ATTACHED
- ⑥ ATTACHED
- ⑦ ATTACHED



RECOMMENDED PANEL CUTOUT
 (PANEL THICKNESS : 1~2 mm)

NOTE

- 1. It is attached as a built-in block.
 (Ref.No. ④ and Ref.No. ⑤)

RoHS COMPLIANT

5	PTFE		10	HEAT SHRINK TUBING	POLYOLEFIN
4	BERYLLIUM COPPER	GOLD PLATING	9	STEEL	NICKEL PLATING
3	BRASS	NICKEL PLATING	8	BRASS	NICKEL PLATING
2	PTFE		7	BRASS	NICKEL PLATING
1	BRASS	NICKEL PLATING	6	BRASS	NICKEL PLATING
NO.	MATERIAL	FINISH , REMARKS	NO.	MATERIAL	FINISH , REMARKS

UNITS mm	SCALE 2 : 1	COUNT	DESCRIPTION OF REVISIONS	DESIGNED	CHECKED	DATE
HIROSE ELECTRIC CO., LTD.			APPROVED : MH. YAMANE 14. 01. 29 CHECKED : TY. OZAKI 14. 01. 28 DESIGNED : YI. FUNADA 14. 01. 27 DRAWN : YI. FUNADA 14. 01. 27	DRAWING NO. EDC4-135315-40 PART NO. BNC(75)-BPJ-1.5CW-(P)(40) CODE NO. CL302-0388-2-40		