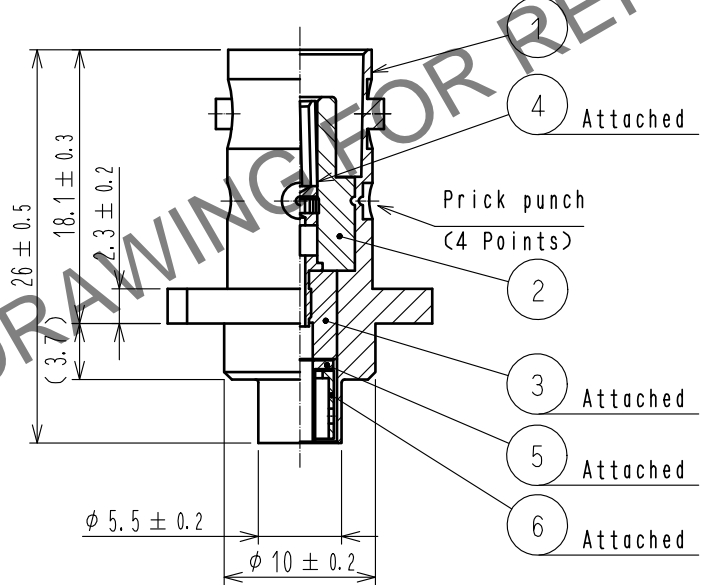
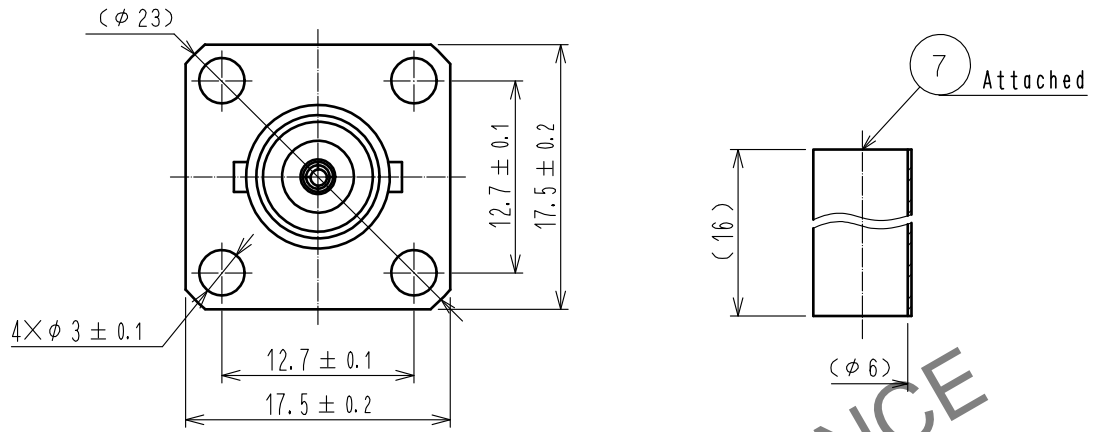


Apr.1.2025 Copyright 2025 HIROSE ELECTRIC CO., LTD. All Rights Reserved.
 In case of consideration for using Automotive equipment / device which demand high reliability, kindly contact our sales window correspondents.

ASSEMBLY TOOL: APPLICABLE OUTER CONDUCTOR CRIMPING TOOL HT303/HRM-T-4(58A/U HOLE)



HRS DRAWING FOR REFERENCE

4	BERYLLIUM COPPER	GOLD PLATING				
3	PTFE		7	POLYOLEFIN	HEAT SHRINK TUBING (BLACK)	
2	PTFE		6	BRASS	NICKEL PLATING	
1	BRASS	NICKEL PLATING	5	BRASS	NICKEL PLATING	
NO.	MATERIAL	FINISH . REMARKS	NO.	MATERIAL	FINISH . REMARKS	

UNITS mm		SCALE 2 : 1	COUNT 	DESCRIPTION OF REVISIONS	DESIGNED	CHECKED	DATE
HIROSE ELECTRIC CO., LTD.		APPROVED : NK. NINOMIYA 20211115		DRAWING NO. EDC-310083-00-00			
		CHECKED : NK. NINOMIYA 20211115		PART NO. BNC-PJ-1.5DW			
		DESIGNED : MT. KANEKO 20211112		CODE NO. CL0302-0410-0-00			
		DRAWN : NK. OOSHIMA 20211112		1/1			