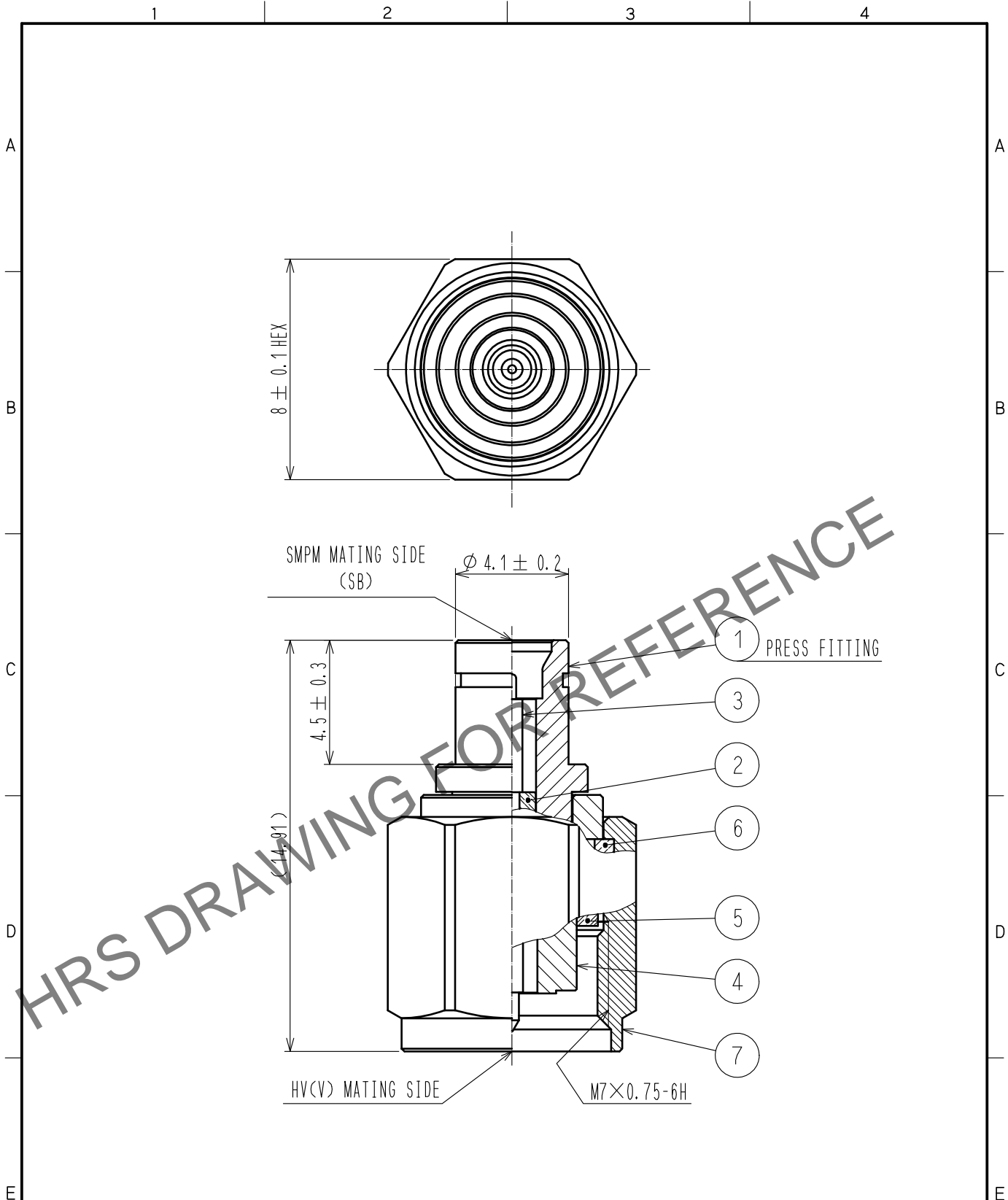


Jun.1.2024 Copyright 2024 HIROSE ELECTRIC CO., LTD. All Rights Reserved.
 In case of consideration for using Automotive equipment / device which demand high reliability, kindly contact our sales window correspondents.



RoHS COMPLIANT

4	STAINLESS STEEL	GOLD PLATING					
3	PHOSPHOR BRONZE	GOLD PLATING	7	STAINLESS STEEL	PASSIVATE		
2	PTFE		6	BERYLLIUM COPPER	NICKEL PLATING		
1	STAINLESS STEEL	GOLD PLATING	5	SILICONE RUBBER			
NO.	MATERIAL	FINISH	REMARKS	NO.	MATERIAL	FINISH	REMARKS

UNITS mm		SCALE 5 : 1	COUNT 	DESCRIPTION OF REVISIONS	DESIGNED	CHECKED	DATE
HIROSE ELECTRIC CO., LTD.				APPROVED : KY. SHIMIZU 16.02.09 CHECKED : TO. KATAYAMA 16.02.09 DESIGNED : YI. FUNADA 16.02.09 DRAWN : YI. FUNADA 16.02.09	DRAWING NO. EDC-313092-00-00 PART NO. SMPMP(SB)-HVP CODE NO. CL311-0420-4-00		