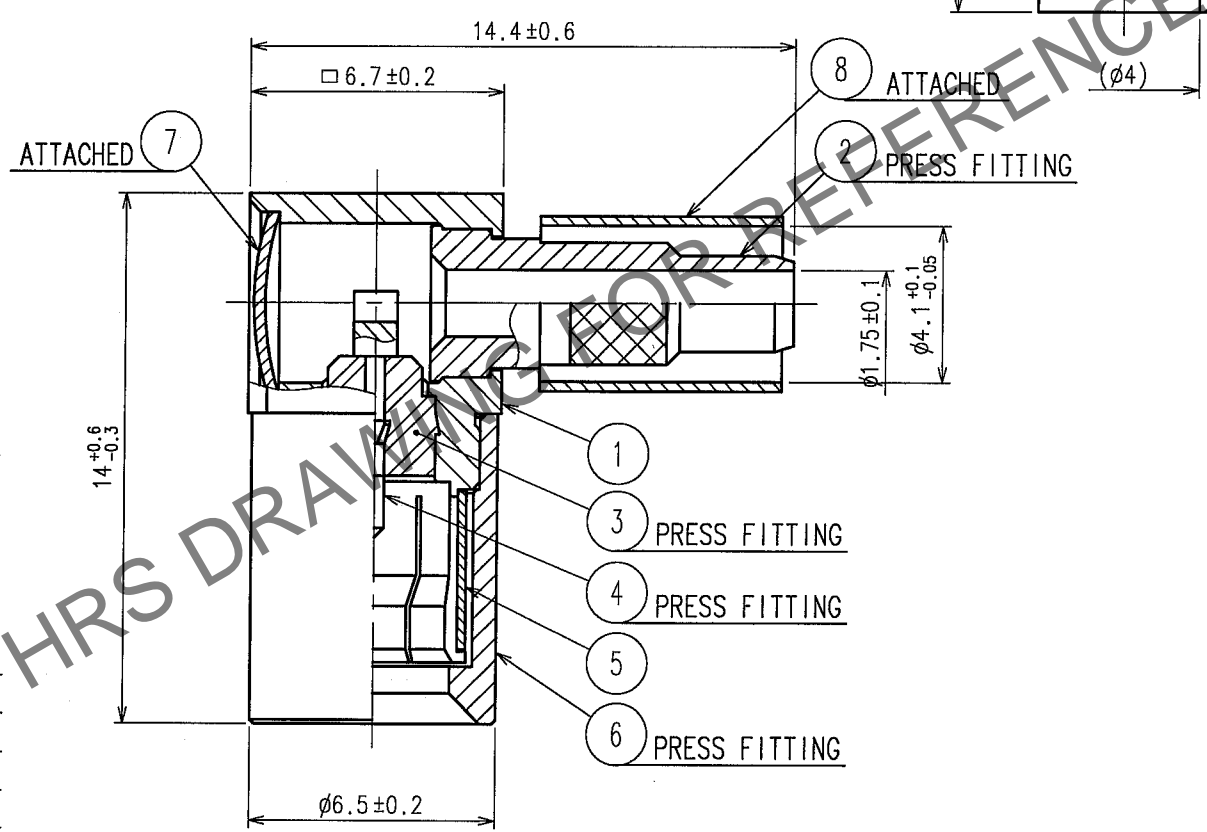
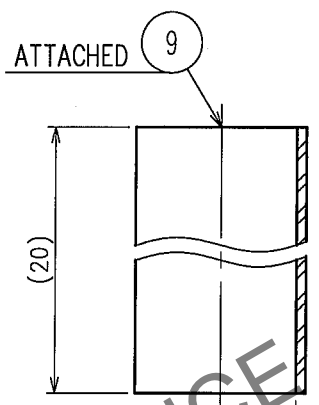


Jun.1.2024 Copyright 2024 HIROSE ELECTRIC CO., LTD. All Rights Reserved.
In case of consideration for using Automotive equipment / device which demand high reliability, kindly contact our sales window correspondents.

1		2			3			4		
COUNT	DESCRIPTION OF REVISIONS	BY	CHKD	DATE	COUNT	DESCRIPTION OF REVISIONS	BY	CHKD	DATE	
△					△					
△					△					
△					△					

ASSEMBLY TOOL
 OUT. CONDUCTOR CRIMP : PO-P-2-T
 DISK PRESS FITTING : UM-T-1



4	BRASS	GOLD PLATED	9	POLYOLEFINE	HEAT SHRINK TUBING
3	PTFE		8	COPPER	NICKEL PLATED
2	BRASS	NICKEL PLATED	7	BRASS	NICKEL PLATED
1	BRASS	NICKEL PLATED	6	BRASS	NICKEL PLATED
			5	BERYLIUM COPPER	NICKEL PLATED
NO.	MATERIAL	FINISH, REMARKS	NO.	MATERIAL	FINISH, REMARKS

CODE NO. (OLD)		DRAWN	DESIGNED	CHECKED	APPROVED	RELEASED
RoHS COMPLIANT		R.KIMURA	R.KIMURA	M. Yamane	J. Mitani	
		05.08.08	05.08.08	05.08.09	05.08.09	
 SCALE 5 : 1 UNITS mm	DRAWING NO. EDC4-029387-40		PART NO. PL71-LP-1.5CW(40)			
	 HIROSE ELECTRIC CO.,LTD.		CODE NO. CL334-0006-9-40		1/1	

TO
RF