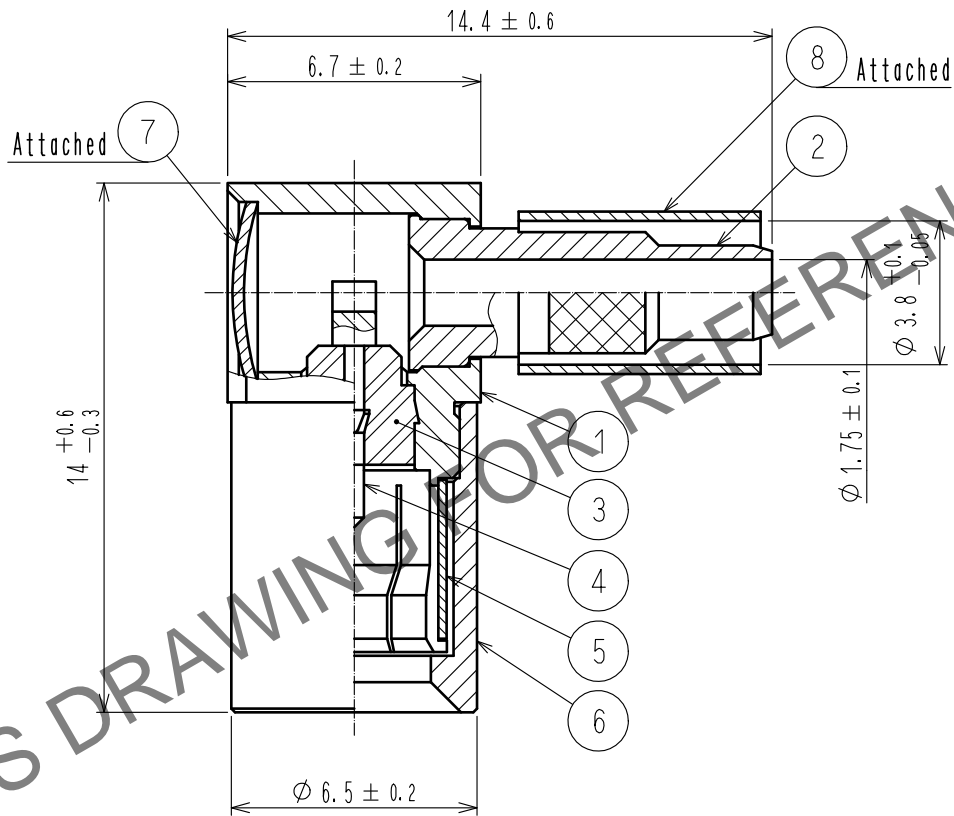


Jun.1.2024 Copyright 2024 HIROSE ELECTRIC CO., LTD. All Rights Reserved.
In case of consideration for using Automotive equipment / device which demand high reliability, kindly contact our sales window correspondents.

ASSEMBLY TOOL
 APPLICABLE OUTER CONDUCTOR CRIMPING TOOL : HT303/UM.MSS-T-1 (1.5 HOLE)
 TOOL FOR PRESS FITTING OF DISK : UM-T-1



4	BRASS	GOLD PLATING	8	COPPER	NICKEL PLATING
3	PTFE		7	BRASS	NICKEL PLATING
2	BRASS	NICKEL PLATING	6	BRASS	NICKEL PLATING
1	BRASS	NICKEL PLATING	5	BERYLLIUM COPPER	NICKEL PLATING
NO.	MATERIAL	FINISH . REMARKS	NO.	MATERIAL	FINISH . REMARKS

UNITS mm		SCALE 5 : 1	COUNT 	DESCRIPTION OF REVISIONS	DESIGNED	CHECKED	DATE
HIROSE ELECTRIC CO., LTD.		APPROVED : NK. NINOMIYA	20220323	DRAWING NO.	EDC-130761-41-00		
		CHECKED : NK. NINOMIYA	20220323	PART NO.	PL71-LP-1.5C(41)		
		DESIGNED : MT. KANEKO	20220323	CODE NO.	CL0334-0007-1-41		
		DRAWN : YK. MITSUISHI	20220323				