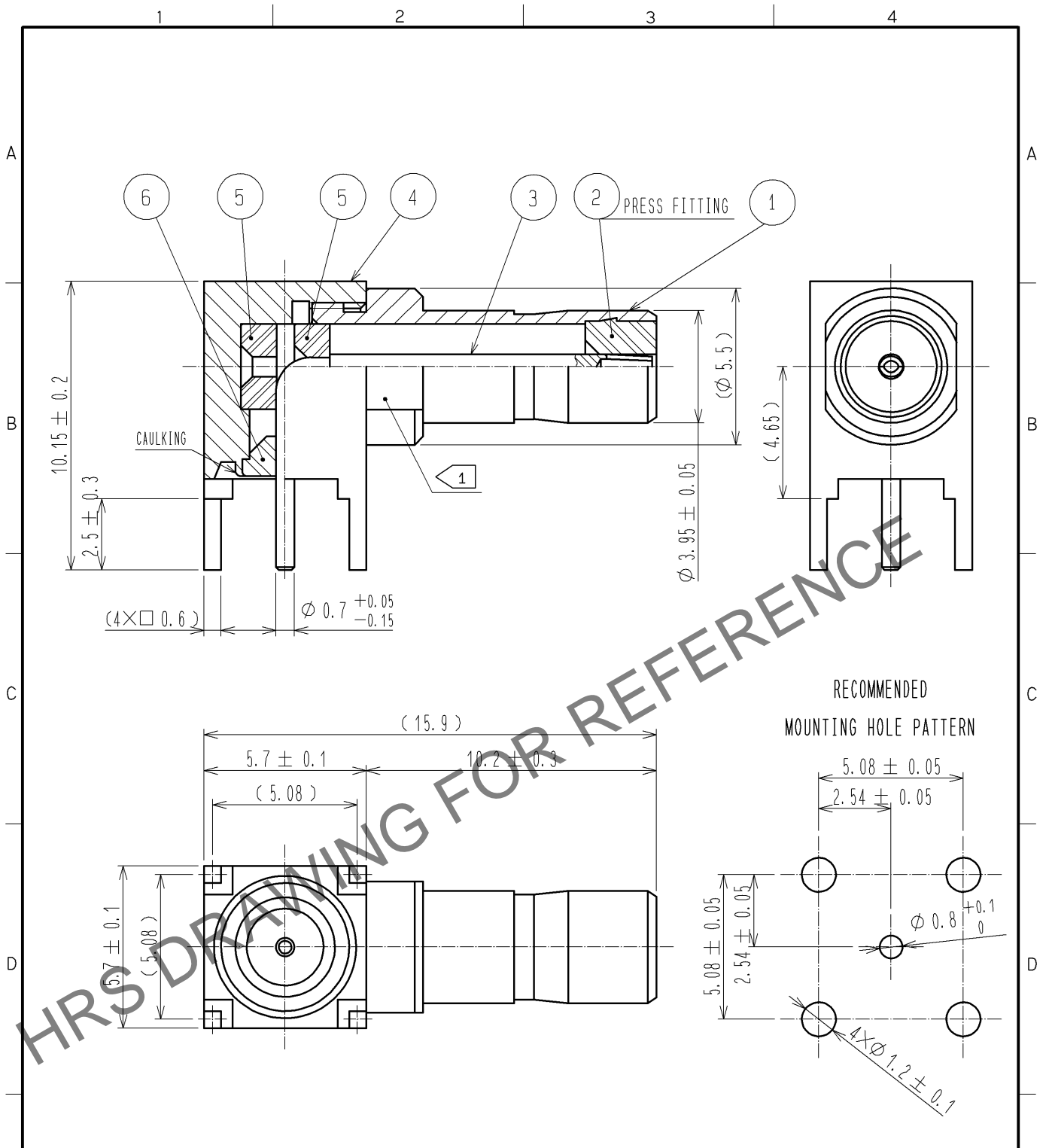


Jun.1.2024 Copyright 2024 HIROSE ELECTRIC CO., LTD. All Rights Reserved.  
 In case of consideration for using Automotive equipment / device which demand high reliability, kindly contact our sales window correspondents.



1 Milling position in a radial direction is optional.

RoHS COMPLIANT

3	BERYLLIUM COPPER	GOLD PLATED	6	PTFE	
2	PTFE		5	PTFE	
1	BRASS	NICKEL PLATED	4	BRASS	NICKEL PLATED
NO.	MATERIAL	FINISH . REMARKS	NO.	MATERIAL	FINISH . REMARKS

UNITS mm		SCALE 5 : 1	COUNT 	DESCRIPTION OF REVISIONS	DESIGNED	CHECKED	DATE
HIROSE ELECTRIC CO., LTD.		APPROVED : TS. NOBE	13.08.23	DRAWING NO.	EDC4-028041-40		
		CHECKED : NK. NINOMIYA	13.08.22	PART NO.	PL71-LR-PC(40)		
		DESIGNED : MS. MATSUMOTO	13.08.21	CODE NO.	CL334-0016-2-40		
		DRAWN : KH. HIKITA	11.03.26		1/1		