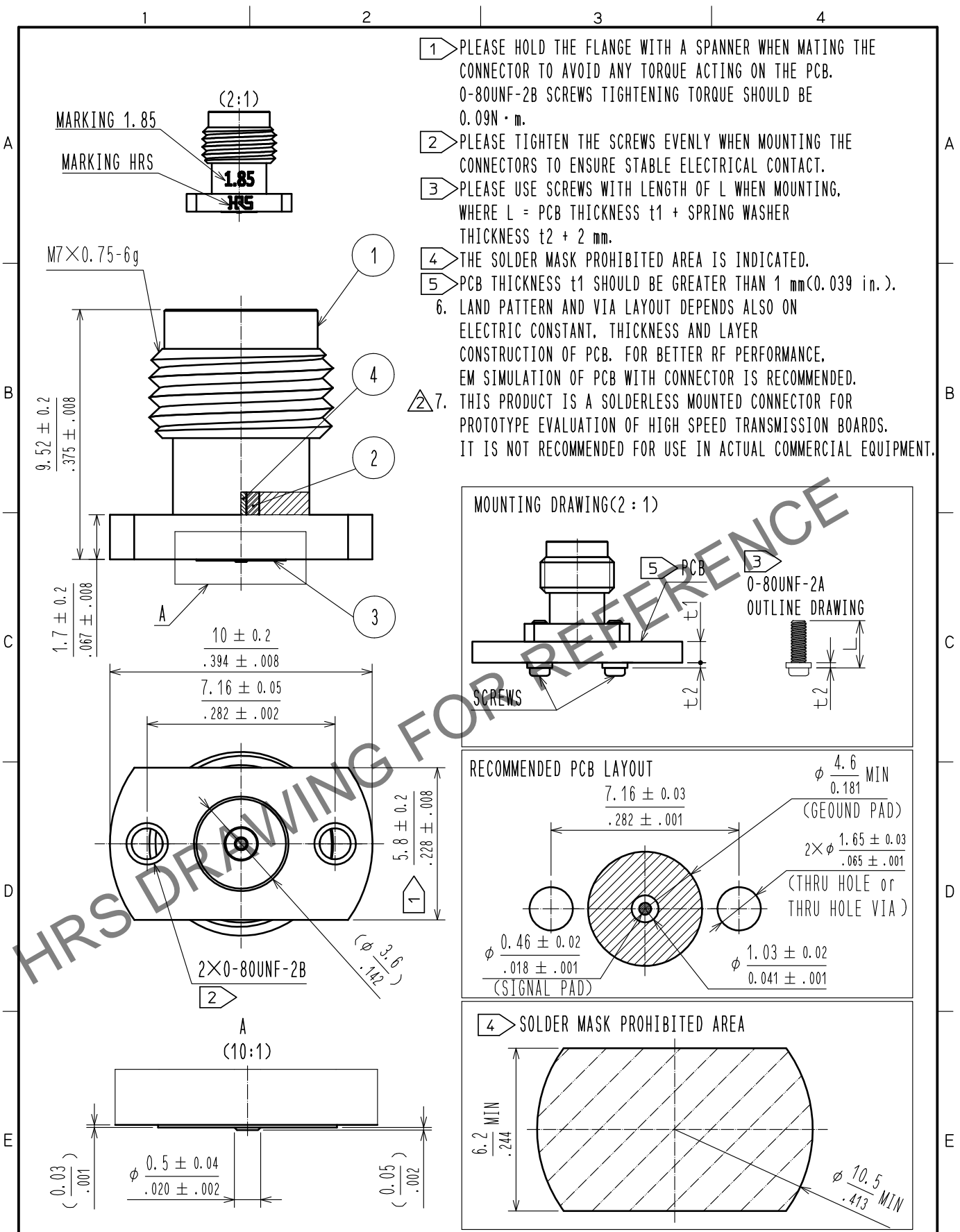
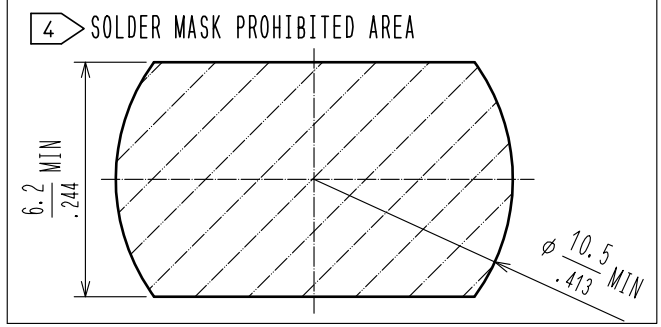
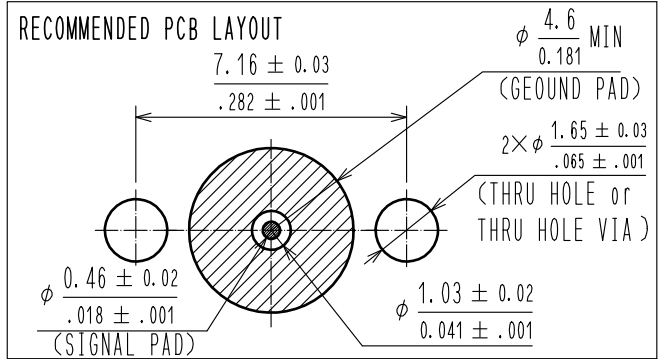
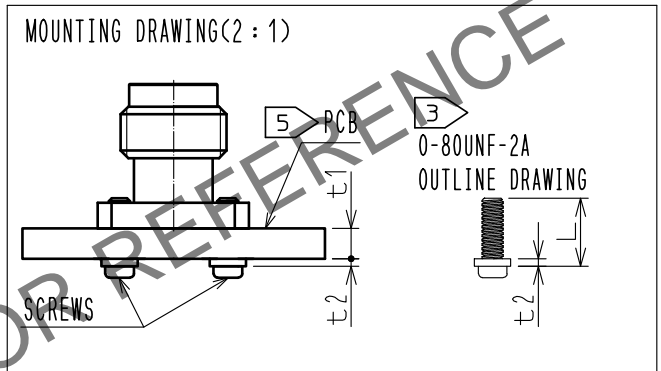


Dec.1.2024 Copyright 2024 HIROSE ELECTRIC CO., LTD. All Rights Reserved.  
In case of consideration for using Automotive equipment / device which demand high reliability, kindly contact our sales window correspondents.



- 1 PLEASE HOLD THE FLANGE WITH A SPANNER WHEN MATING THE CONNECTOR TO AVOID ANY TORQUE ACTING ON THE PCB. 0-80UNF-2B SCREWS TIGHTENING TORQUE SHOULD BE 0.09N·m.
- 2 PLEASE TIGHTEN THE SCREWS EVENLY WHEN MOUNTING THE CONNECTORS TO ENSURE STABLE ELECTRICAL CONTACT.
- 3 PLEASE USE SCREWS WITH LENGTH OF L WHEN MOUNTING, WHERE L = PCB THICKNESS t1 + SPRING WASHER THICKNESS t2 + 2 mm.
- 4 THE SOLDER MASK PROHIBITED AREA IS INDICATED.
- 5 PCB THICKNESS t1 SHOULD BE GREATER THAN 1 mm(0.039 in.).
6. LAND PATTERN AND VIA LAYOUT DEPENDS ALSO ON ELECTRIC CONSTANT, THICKNESS AND LAYER CONSTRUCTION OF PCB. FOR BETTER RF PERFORMANCE, EM SIMULATION OF PCB WITH CONNECTOR IS RECOMMENDED.
7. THIS PRODUCT IS A SOLDERLESS MOUNTED CONNECTOR FOR PROTOTYPE EVALUATION OF HIGH SPEED TRANSMISSION BOARDS. IT IS NOT RECOMMENDED FOR USE IN ACTUAL COMMERCIAL EQUIPMENT.



| 2                         | PTFE            |                | 4            | BERYLLIUM COPPER                           | GOLD PLATING                    |                          |                       |                  |
|---------------------------|-----------------|----------------|--------------|--|---------------------------------|--------------------------|-----------------------|------------------|
| 1                         | STAINLESS STEEL | PASSIVATE      | 3            | STAINLESS STEEL                            | GOLD PLATING                    |                          |                       |                  |
| NO.                       | MATERIAL        | FINISH         | REMARKS      | NO.  | MATERIAL                        | FINISH                   | REMARKS               |                  |
| UNITS<br>mm/inch          |                 | SCALE<br>5 : 1 | COUNT<br>1   | DESCRIPTION OF REVISIONS<br>DIS-D-00016663 |                                 | DESIGNED<br>RO. YOKOYAMA | CHECKED<br>TS. KANEKO | DATE<br>20230818 |
| HIROSE ELECTRIC CO., LTD. |                 | APPROVED       | TS. NOBE     | 20181220                                   | DRAWING NO.<br>EDC-380932-00-00 |                          |                       |                  |
|                           |                 | CHECKED        | MH. OGUSU    | 20181220                                   | PART NO.<br>HV-R-SR2            |                          |                       |                  |
|                           |                 | DESIGNED       | AH. MARUYAMA | 20181219                                   | CODE NO.<br>CL0338-0010-0-00    |                          |                       |                  |
|                           |                 | DRAWN          | AH. MARUYAMA | 20181219                                   | 1/1                             |                          |                       |                  |