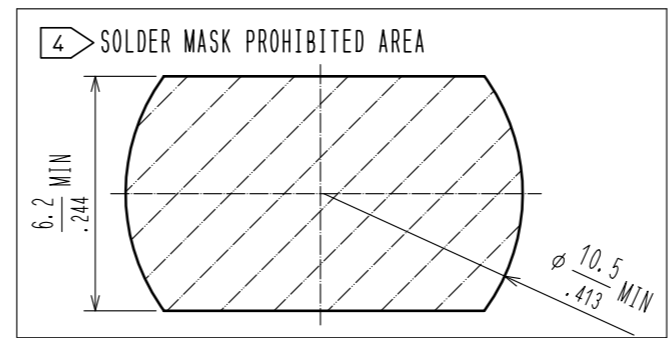
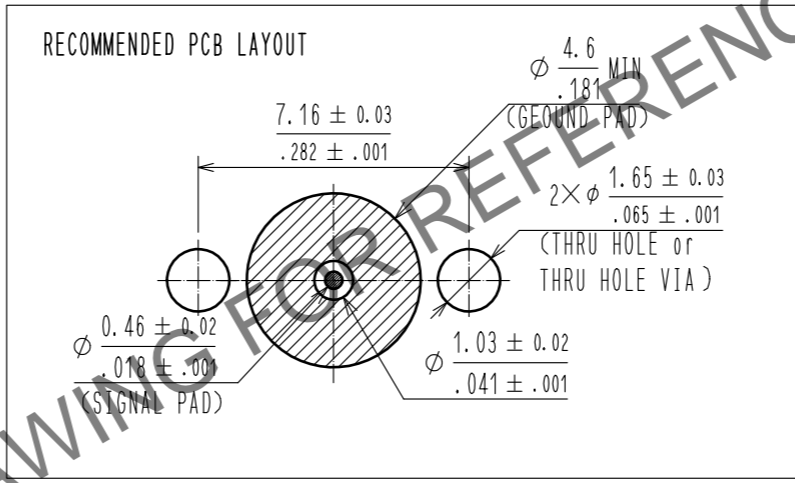
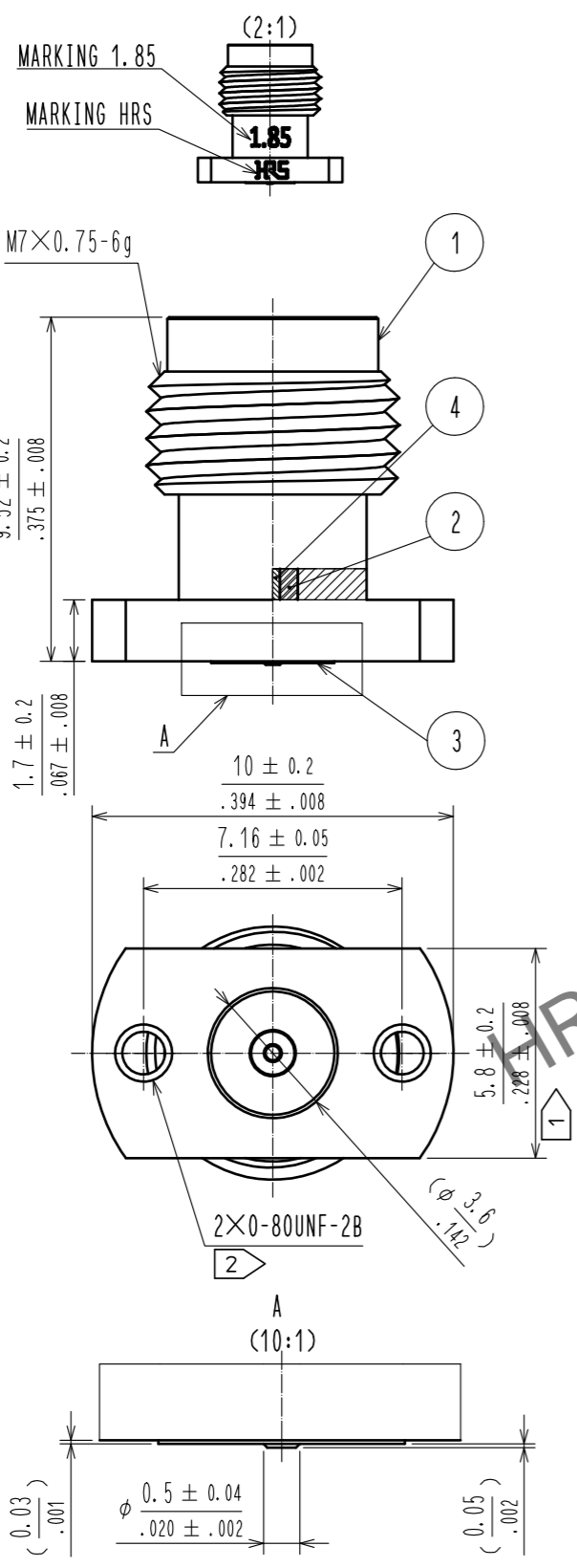
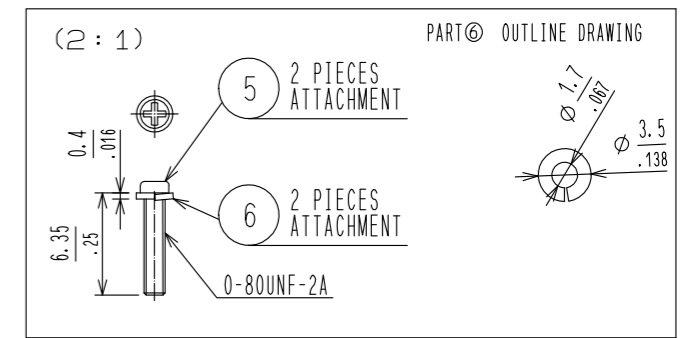
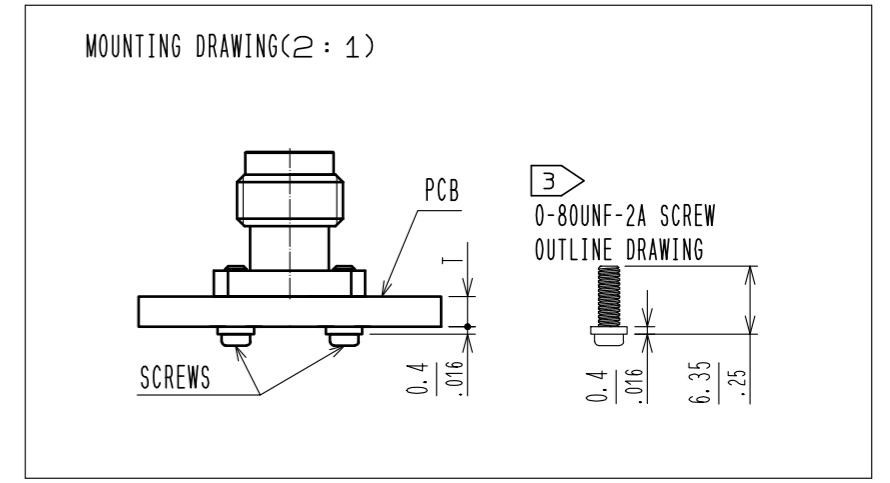


Dec.1.2024 Copyright 2024 HIROSE ELECTRIC CO., LTD. All Rights Reserved.
In case of consideration for using Automotive equipment / device which demand high reliability, kindly contact our sales window correspondents.



- 1 PLEASE HOLD THE FLANGE WITH A SPANNER WHEN MATING THE CONNECTOR TO AVOID ANY TORQUE ACTING ON THE PCB.
- 2 0-80UNF-2B SCREWS TIGHTENING TORQUE SHOULD BE 0.09N·m. PLEASE TIGHTEN THE SCREWS EVENLY WHEN MOUNTING THE CONNECTORS TO ENSURE STABLE ELECTRICAL CONTACT.
- 3 PLEASE USE ATTACHED SCREWS AND WASHERS FOR MOUNTING. ATTACHED SCREWS AND WASHERS ARE APPLICABLE ON PCB WITH THICKNESS T=2.4 TO 4.25mm.
- 4 THE SOLDER MASK PROHIBITED AREA IS INDICATED.
5. LAND PATTERN AND VIA LAYOUT DEPENDS ALSO ON ELECTRIC CONSTANT, THICKNESS AND LAYER CONSTRUCTION OF PCB. FOR BETTER RF PERFORMANCE, EM SIMULATION OF PCB WITH CONNECTOR IS RECOMMENDED.
6. THIS PRODUCT IS A SOLDERLESS MOUNTED CONNECTOR FOR PROTOTYPE EVALUATION OF HIGH SPEED TRANSMISSION BOARDS. IT IS NOT RECOMMENDED FOR USE IN ACTUAL COMMERCIAL EQUIPMENT.



3	STAINLESS STEEL	GOLD PLATING	6	STAINLESS STEEL	SPRING WASHER			
2	PTFE		5	STEEL	0-80UNF-A SCREW			
1	STAINLESS STEEL	PASSIVATE	4	BERYLLIUM COPPER	GOLD PLATING			
NO.	MATERIAL	FINISH . REMARKS	NO.	MATERIAL	FINISH . REMARKS			
UNITS	mm	SCALE	5 : 1	COUNT	1			
DESCRIPTION OF REVISIONS			DESIGNED	RO. YOKOYAMA	CHECKED	TS. KANEKO	DATE	20230818
DIS-D-00016663			APPROVED	TS. NOBE	20190108	DRAWING NO.		EDC-380932-11-00
HRS HIROSE ELECTRIC CO., LTD.			CHECKED	MH. OGUSU	20190108	PART NO.		HV-R-SR2(11)
			DESIGNED	AH. MARUYAMA	20190108	CODE NO.		CL0338-0010-0-11
			DRAWN	AH. MARUYAMA	20190108			1/1