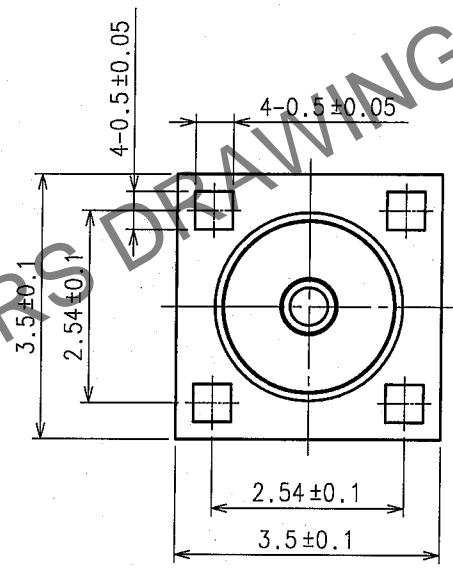
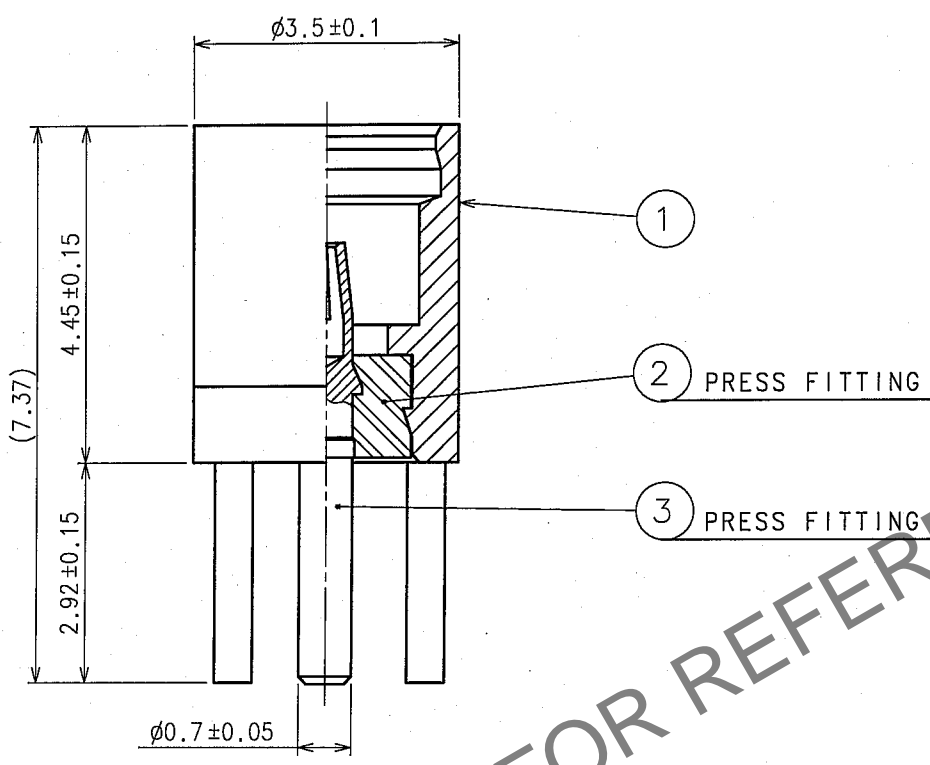
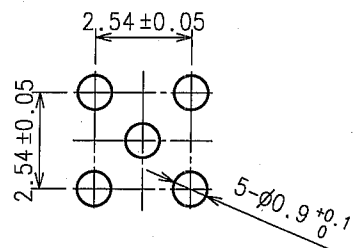


Mar. 1. 2026 Copyright 2026 HIROSE ELECTRIC CO., LTD. All Rights Reserved.
In case of consideration for using Automotive equipment / device which demand high reliability, kindly contact our sales window correspondents.

1				2				3				4			
COUNT	DESCRIPTION OF REVISIONS	BY	CHKD	DATE	COUNT	DESCRIPTION OF REVISIONS	BY	CHKD	DATE	COUNT	DESCRIPTION OF REVISIONS	BY	CHKD	DATE	
△					△					△					
△					△					△					
△					△					△					



RECOMMENDED PC BOARD HOLE PATTERN (5:1)



2	PTFE				
1	BRASS	GOLD PLATING	3	BERYLLIUM COPPER	GOLD PLATING
NO.	MATERIAL	FINISH, REMARKS	NO.	MATERIAL	FINISH, REMARKS
CODE NO. (OLD)			DRAWN	DESIGNED	CHECKED
RoHS COMPLIANT			<i>M. Kaneko</i>	<i>T. Katayama</i>	<i>H. Shimizu</i>
			05.9.5	05.9.13	05.09.13
					<i>J. Mitani</i>
					05.09.14
DRAWING NO.			PART NO.		
EDC4-133939-40			MMCX-R-PC(40)		
SCALE			CODE NO.		
10:1			CL339-0005-8-40		
UNITS			1/1		
mm					

0
RF

