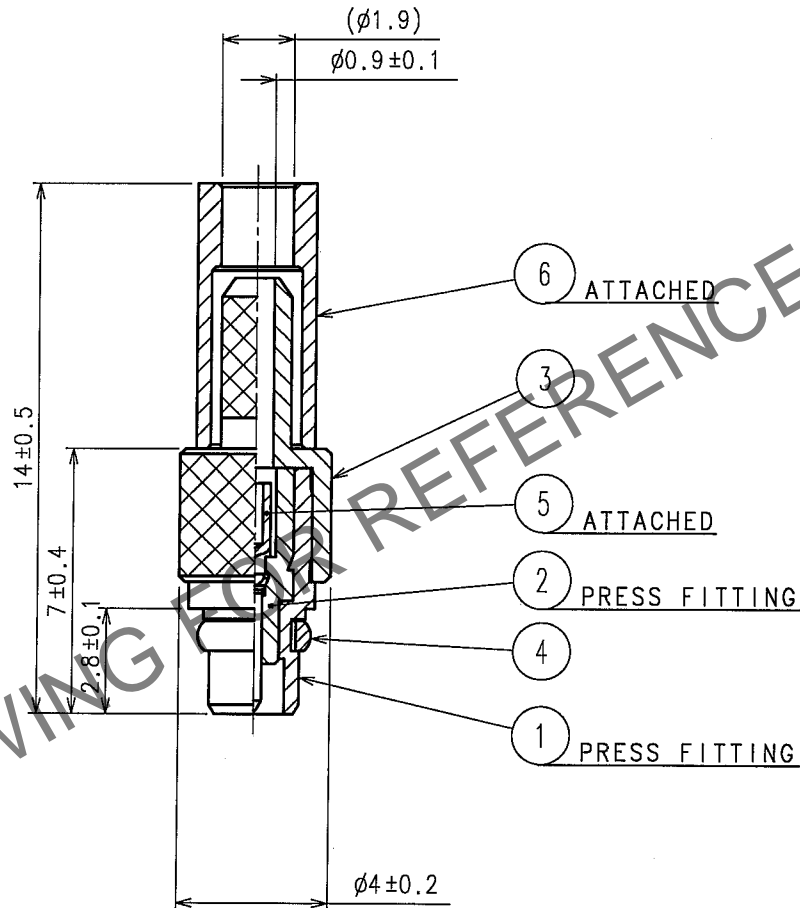


Mar. 1. 2026 Copyright 2026 HIROSE ELECTRIC CO., LTD. All Rights Reserved.
 In case of consideration for using Automotive equipment / device which demand high reliability, kindly contact our sales window correspondents.

1	2			3			4		
COUNT	DESCRIPTION OF REVISIONS	BY	CHKD	DATE	COUNT	DESCRIPTION OF REVISIONS	BY	CHKD	DATE
△				..	△				..
△				..	△				..
△				..	△				..

ASSEMBLY TOOL : HT-103/MRF01-J-178



3	BRASS	GOLD PLATING	6	COPPER	GOLD PLATING
2	PTFE		5	PHOSPHOR BRONZE	GOLD PLATING
1	BRASS	GOLD PLATING	4	BERYLLIUM COPPER	GOLD PLATING
NO.	MATERIAL	FINISH, REMARKS	NO.	MATERIAL	FINISH, REMARKS

CODE NO. (OLD)		DRAWN	DESIGNED	CHECKED	APPROVED	RELEASED
RoHS COMPLIANT		R.KIMURA	R.KIMURA	<i>M. Yamane</i>	<i>I. Mitani</i>	
		05.08.08	05.08.08	05.08.09	05.08.09	

 SCALE 5 : 1 UNITS mm	DRAWING NO.	PART NO.
	EDC4-134927-40	MMCX-P-FHSB(40)
 HIROSE ELECTRIC CO., LTD.	CODE NO.	1/1
	CL339-0008-6-40	