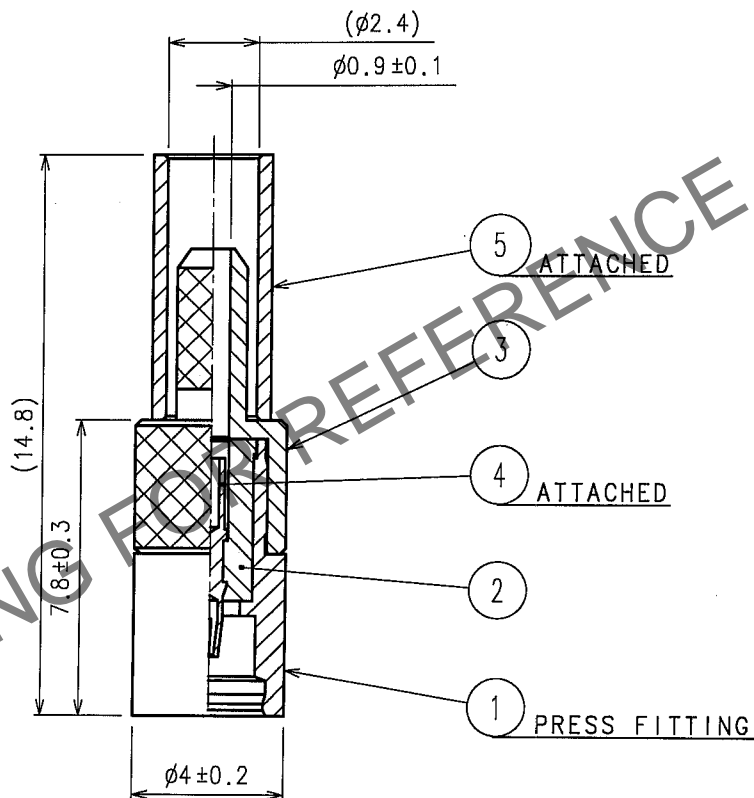


Mar. 1. 2026 Copyright 2026 HIROSE ELECTRIC CO., LTD. All Rights Reserved.
In case of consideration for using Automotive equipment / device which demand high reliability, kindly contact our sales window correspondents.

1			2			3			4					
COUNT	DESCRIPTION OF REVISIONS	BY	CHKD	DATE	COUNT	DESCRIPTION OF REVISIONS	BY	CHKD	DATE	COUNT	DESCRIPTION OF REVISIONS	BY	CHKD	DATE
△					△					△				
△					△					△				
△					△					△				

ASSEMBLY TOOL : HT-103/MRF01-J-178



3	BRASS	GOLD PLATING			
2	PTFE		5	COPPER	GOLD PLATING
1	BRASS	GOLD PLATING	4	BERYLLIUM COPPER	GOLD PLATING
NO.	MATERIAL	FINISH, REMARKS	NO.	MATERIAL	FINISH, REMARKS

CODE NO. (OLD)	DRAWN	DESIGNED	CHECKED	APPROVED	RELEASED
	R.KIMURA	R.KIMURA	M. Yamane	J. Mitani	
	05. 08. 08	05. 08. 08	05. 08. 09	05. 08. 09	

 SCALE 5 : 1 UNITS mm	DRAWING NO. EDC4-135164-40	PART NO. MMCX-J-178B/U(40)
	 HIROSE ELECTRIC CO., LTD.	CODE NO. CL339-0011-0-40

TO
RF

