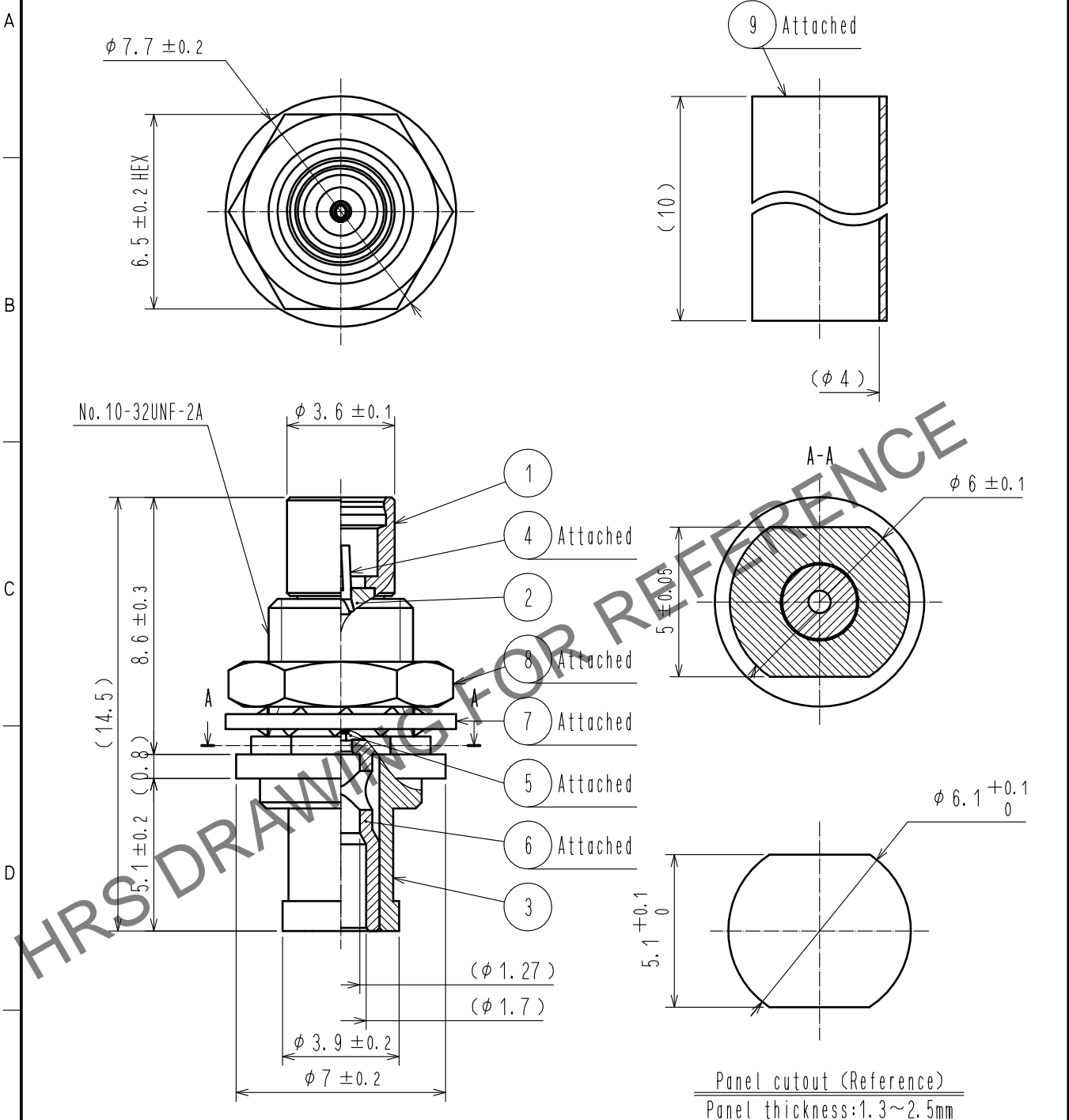


Feb.1.2026 Copyright 2026 HIROSE ELECTRIC CO., LTD. All Rights Reserved.
In case of consideration for using Automotive equipment / device which demand high reliability, kindly contact our sales window correspondents.

【 ASSEMBLE TOOL 】 TOOL FOR PRESS FITTING OF CLAMP : For this product.



RoHS COMPLIANT

5	PTFE			9	POLYOLEFIN	HEAT SHRINK TUBING(BLACK)	
4	BERYLLIUM COPPER	GOLD PLATING		8	BRASS	NICKEL PLATING	
3	BRASS	NICKEL PLATING		7	PHOSPHOR BRONZE	NICKEL PLATING	
2	PTFE			6	BRASS	GOLD PLATING	
1	BRASS	GOLD PLATING					
NO.	MATERIAL	FINISH	REMARKS	NO.	MATERIAL	FINISH	REMARKS

UNITS mm		SCALE 5 : 1	COUNT 	DESCRIPTION OF REVISIONS	DESIGNED	CHECKED	DATE
HIROSE ELECTRIC CO., LTD.				APPROVED : TO. KATAYAMA 17.08.11 CHECKED : TO. KATAYAMA 17.08.11 DESIGNED : NK. OOSAWA 17.08.11 DRAWN : NK. OOSAWA 17.08.11	DRAWING NO. EDC-139807-40-00 PART NO. MMCX-BPJ-066(40) CODE NO. CL339-0016-4-40	1/1	