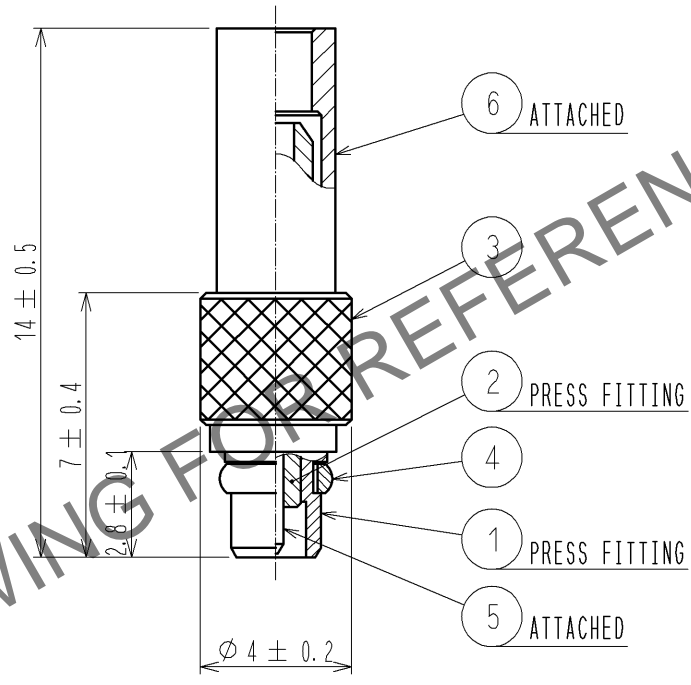


Feb. 1. 2026 Copyright 2026 HIROSE ELECTRIC CO., LTD. All Rights Reserved.
 In case of consideration for using Automotive equipment / device which demand high reliability, kindly contact our sales window correspondents.

ASSEMBLE TOOL APPLICABLE OUTER CONDUCTOR CRIMPING TOOL : HT103/MRF01-J-178



RoHS COMPLIANT

3	BRASS	GOLD PLATING	6	COPPER	GOLD PLATING
2	PTFE		5	PHOSPHOR BRONZE	GOLD PLATING
1	BRASS	GOLD PLATING	4	BERYLLIUM COPPER	GOLD PLATING
NO.	MATERIAL	FINISH . REMARKS	NO.	MATERIAL	FINISH . REMARKS

UNITS mm		SCALE 5 : 1	COUNT 	DESCRIPTION OF REVISIONS	DESIGNED	CHECKED	DATE
HIROSE ELECTRIC CO., LTD.				APPROVED : MH. YAMANE 10. 12. 14 CHECKED : TS. NOBE 10. 12. 13 DESIGNED : KS. TAKAHASHI 10. 12. 13 DRAWN : KS. TAKAHASHI 10. 12. 13	DRAWING NO. EDC4-304127-40 PART NO. MMCX-P-088<40> CODE NO. CL339-0021-4-40	1/1	