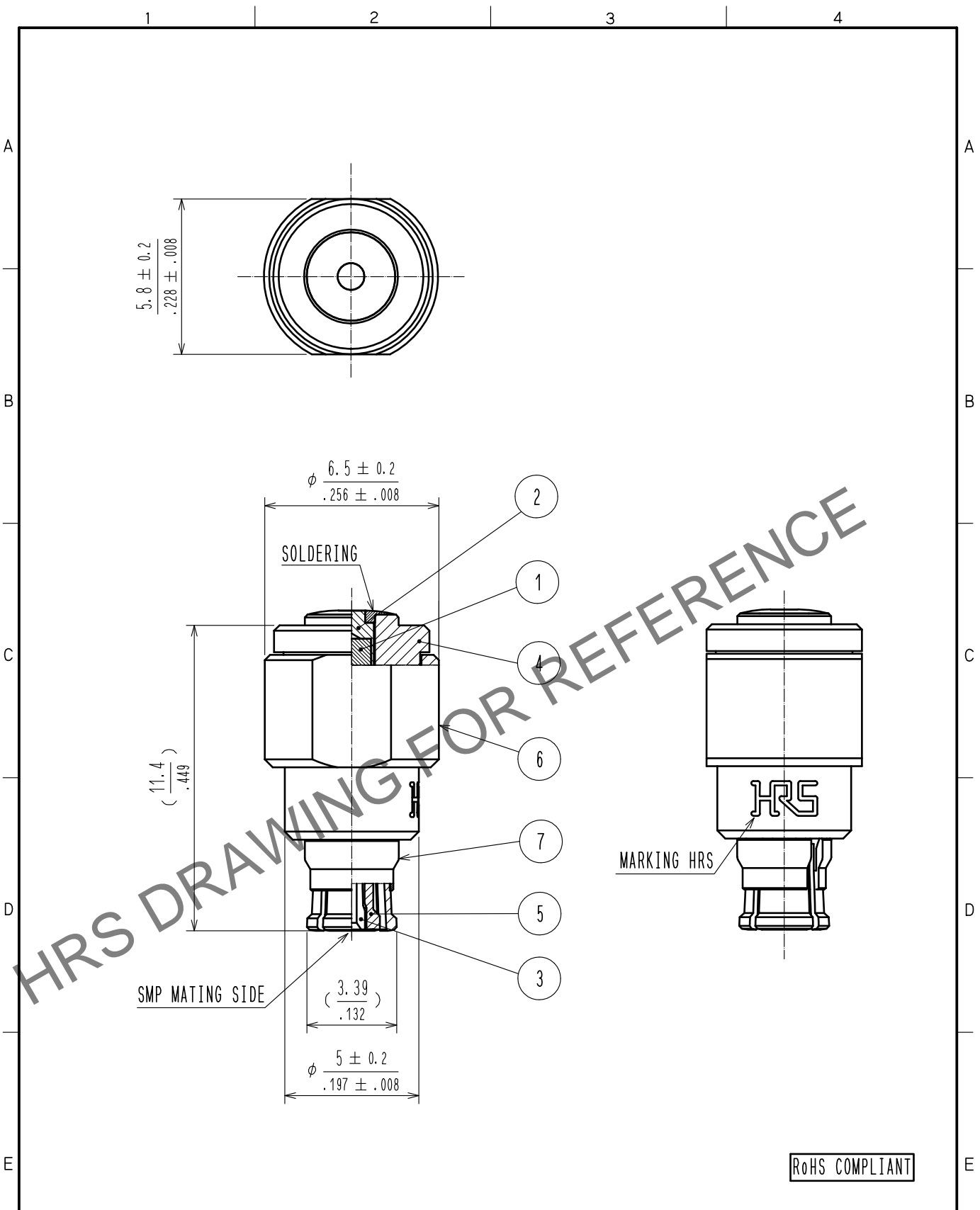


Jun.1.2024 Copyright 2024 HIROSE ELECTRIC CO., LTD. All Rights Reserved.
 In case of consideration for using Automotive equipment / device which demand high reliability, kindly contact our sales window correspondents.



RoHS COMPLIANT

NO.	MATERIAL	FINISH	REMARKS	NO.	MATERIAL	FINISH	REMARKS
4	BRASS	GOLD PLATING		7	BERYLLIUM COPPER	GOLD PLATING	
3	BERYLLIUM COPPER	GOLD PLATING		6	BERYLLIUM COPPER	GOLD PLATING	
2	BRASS	GOLD PLATING		5	PTFE		
1	RESISTANCE	50Ω					

UNITS	SYMBOL	SCALE	COUNT	DESCRIPTION OF REVISIONS	DESIGNED	CHECKED	DATE
mm		5 : 1					

HIROSE ELECTRIC CO., LTD.	APPROVED	: KH. IKEDA	17.09.08	DRAWING NO.	EDC-375383-00-00
	CHECKED	: TS. NOBE	17.09.08	PART NO.	SMP-TMJ
	DESIGNED	: AH. MARUYAMA	17.09.08	CODE NO.	CL353-0024-0-00
	DRAWN	: AH. MARUYAMA	17.09.08		