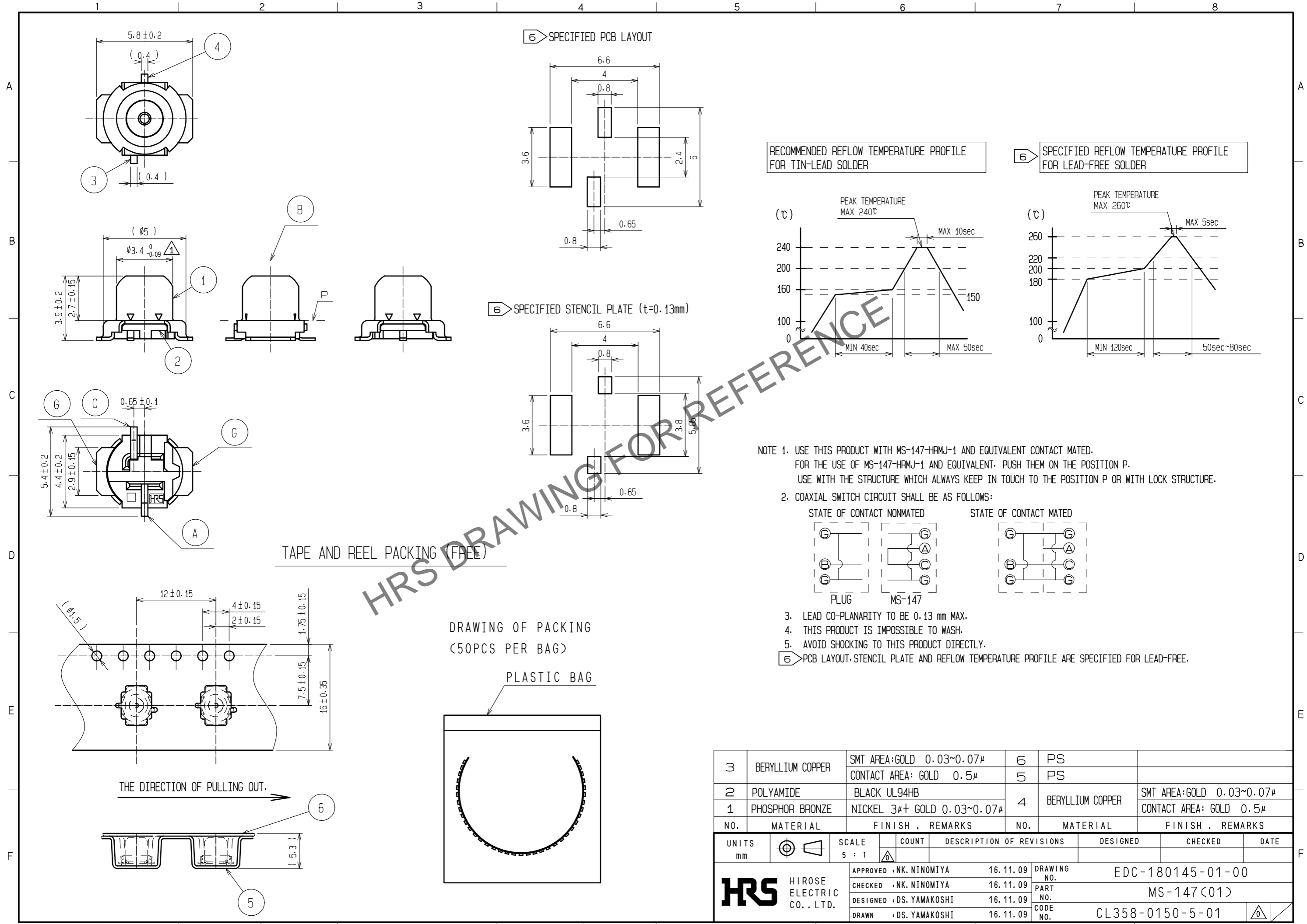
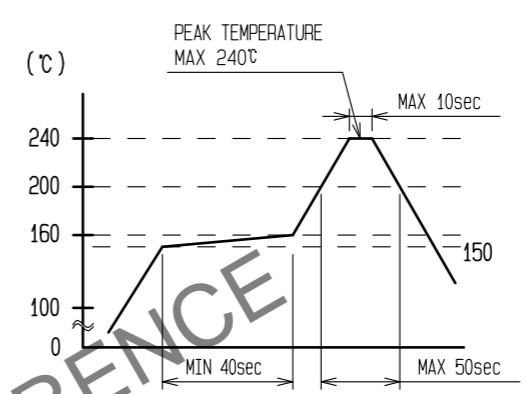


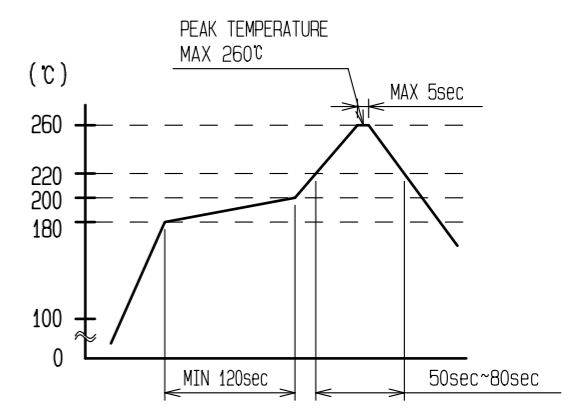
Apr.1.2024 Copyright 2024 HIROSE ELECTRIC CO., LTD. All Rights Reserved.
In case of consideration for using Automotive equipment / device which demand high reliability, kindly contact our sales window correspondents.



RECOMMENDED REFLOW TEMPERATURE PROFILE FOR TIN-LEAD SOLDER

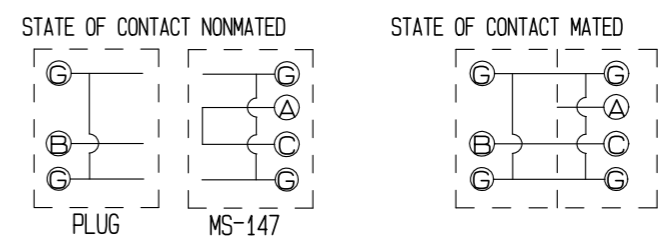


SPECIFIED REFLOW TEMPERATURE PROFILE FOR LEAD-FREE SOLDER



NOTE 1. USE THIS PRODUCT WITH MS-147-HRMJ-1 AND EQUIVALENT CONTACT MATED.
FOR THE USE OF MS-147-HRMJ-1 AND EQUIVALENT, PUSH THEM ON THE POSITION P.
USE WITH THE STRUCTURE WHICH ALWAYS KEEP IN TOUCH TO THE POSITION P OR WITH LOCK STRUCTURE.

2. COAXIAL SWITCH CIRCUIT SHALL BE AS FOLLOWS:

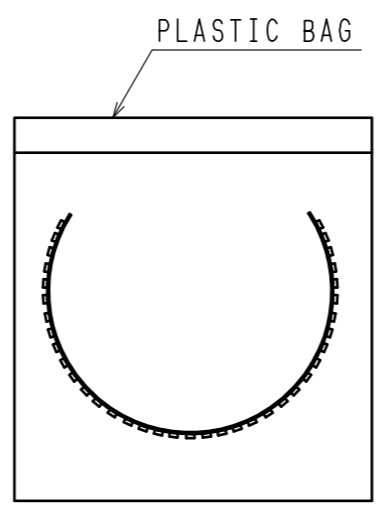


- 3. LEAD CO-PLANARITY TO BE 0.13 mm MAX.
- 4. THIS PRODUCT IS IMPOSSIBLE TO WASH.
- 5. AVOID SHOCKING TO THIS PRODUCT DIRECTLY.

6. PCB LAYOUT, STENCIL PLATE AND REFLOW TEMPERATURE PROFILE ARE SPECIFIED FOR LEAD-FREE.

TAPE AND REEL PACKING (FREE)

DRAWING OF PACKING (50PCS PER BAG)



THE DIRECTION OF PULLING OUT.

3	BERYLLIUM COPPER	SMT AREA:GOLD 0.03~0.07μ	6	PS			
		CONTACT AREA: GOLD 0.5μ	5	PS			
2	POLYAMIDE	BLACK UL94HB					
1	PHOSPHOR BRONZE	NICKEL 3μ+ GOLD 0.03~0.07μ	4	BERYLLIUM COPPER	SMT AREA:GOLD 0.03~0.07μ CONTACT AREA: GOLD 0.5μ		
NO.	MATERIAL	FINISH . REMARKS	NO.	MATERIAL	FINISH . REMARKS		
UNITS mm		SCALE 5 : 1	COUNT 	DESCRIPTION OF REVISIONS	DESIGNED	CHECKED	DATE
HRS HIROSE ELECTRIC CO., LTD.		APPROVED : NK. NINOMIYA	16.11.09	DRAWING NO. EDC-180145-01-00			
		CHECKED : NK. NINOMIYA	16.11.09	PART NO. MS-147(01)			
		DESIGNED : DS. YAMAKOSHI	16.11.09	CODE NO. CL358-0150-5-01			
		DRAWN : DS. YAMAKOSHI	16.11.09				