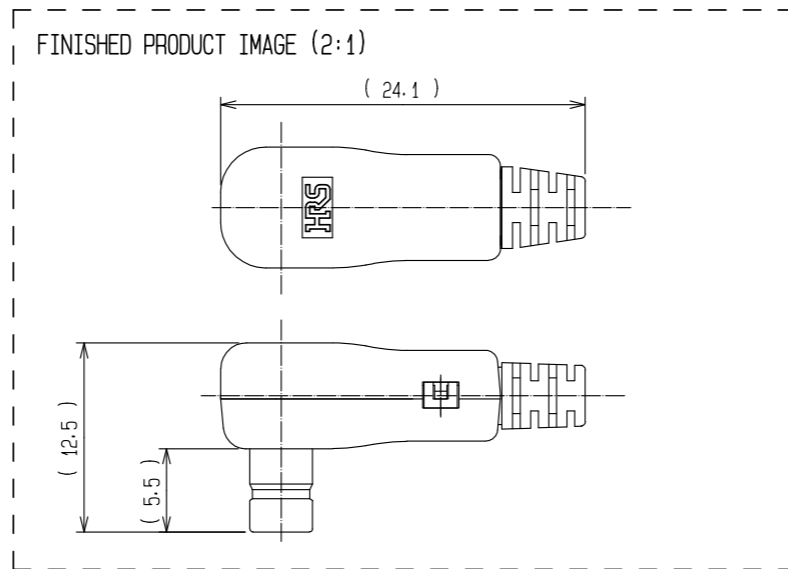
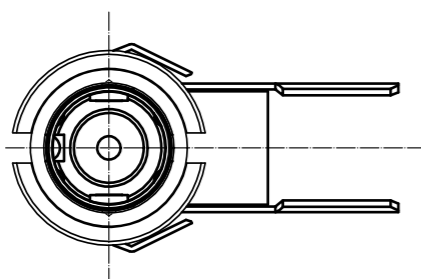
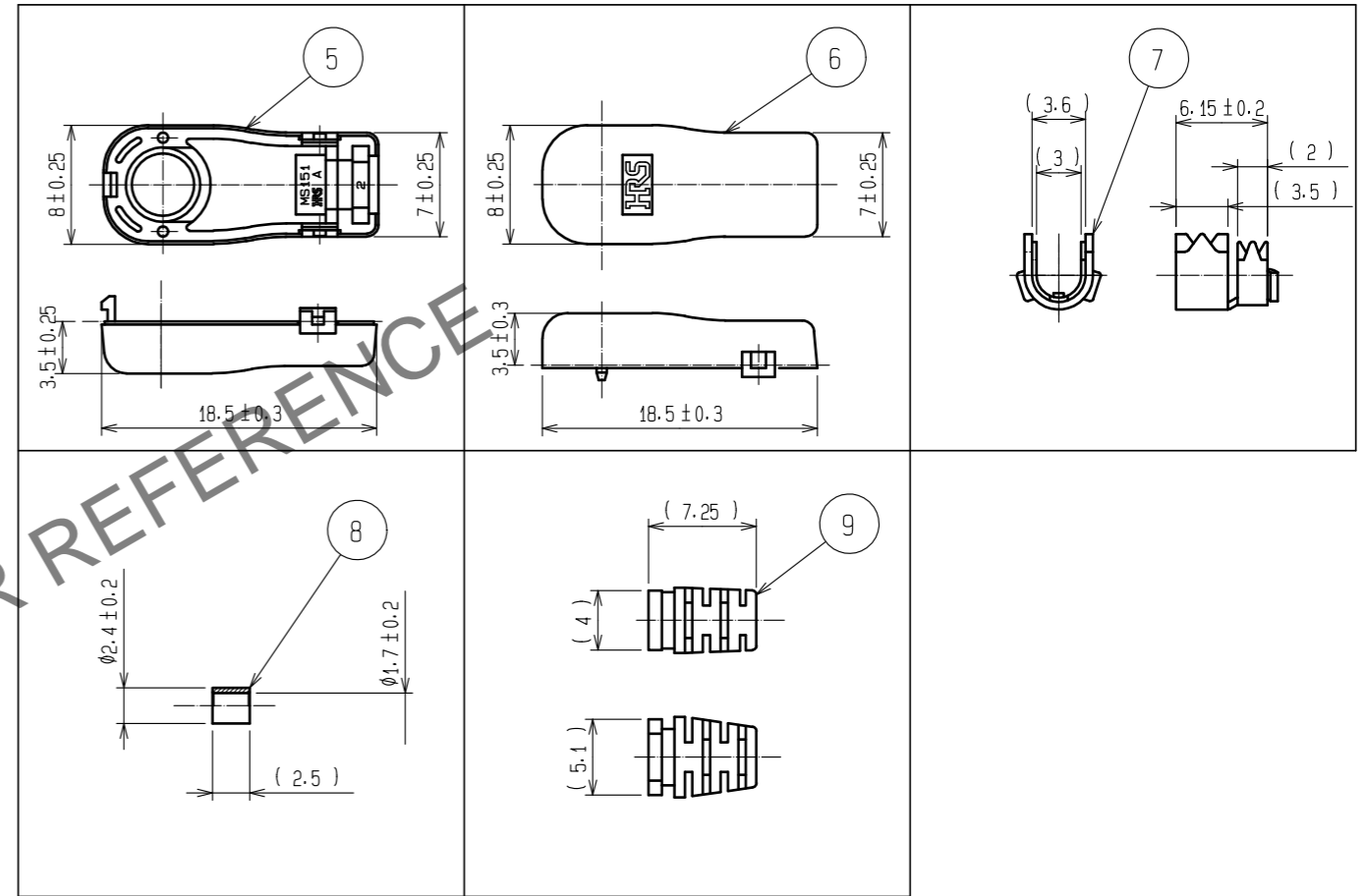


ATTACHED COMPONENTS (2:1)



Note 1. This connector shall be used by mating with MS-151(CL358-0158-7) After cable assembled and installed into attached components.

2. For stable supply of this series, material supplier of piece part#5*#6 will be changed during 2019-2022. Please note this change in advance.

NO.	MATERIAL	FINISH .	REMARKS	NO.	MATERIAL	FINISH .	REMARKS
4	PHOSPHOR BRONZE	GOLD PLATED		9	POLYESTER		
3	POLYAMIDE			8	STAINLESS STEEL	NICKEL PLATED	
2	PHOSPHOR BRONZE	NICKEL PLATED		7	BRASS		
1	STAINLESS STEEL	NICKEL PLATED		6	PC		
				5	PC		

UNITS	SCALE	COUNT	DESCRIPTION OF REVISIONS	DESIGNED	CHECKED	DATE
mm	5 : 1	2	DIS-D-00004079	MK. INOUE	NK. NINOMIYA	20190527

APPROVED	CHECKED	DESIGNED	DRAWN	DRAWING NO.	PART NO.	CODE NO.
KJ. KAWAMURA	RZ. KANO	KH. HIDA	KH. HIDA	20050105	20050105	20050105
				EDC-180190-00-00		
				MS-151-C(LP)		
				CL358-0160-9-00		



Apr.1.2024 Copyright 2024 HIROSE ELECTRIC CO., LTD. All Rights Reserved. In case of consideration for using Automotive equipment / device which demand high reliability, kindly contact our sales window correspondents.